



**THE DATASHEET OF**  
**85011-1**



4

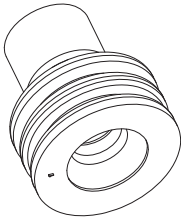
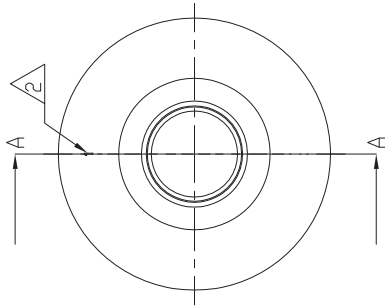
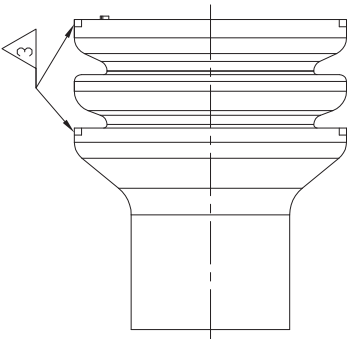
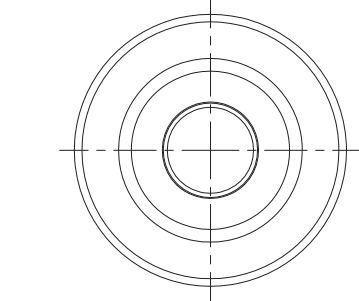
3

2

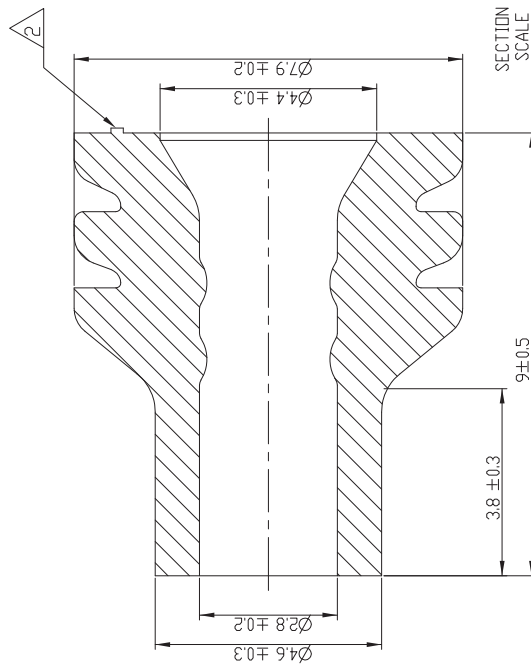
1

THIS DRAWING IS UNPUBLISHED.  
© COPYRIGHT 20 BY -  
RELEASED FOR PUBLICATION  
ALL RIGHTS RESERVED.

REVISIONS		DATE	DWN	APVD
P	LTR	DESCRIPTION		
A1		REVISED (ECR-16-007323)	JM	JW



ISO VIEW



SECTION A-A  
SCALE 10:1

- NOTES:
- (A) MATERIAL: NBR(HARDNESS 40 ±5°, LUBRICATED CONTAIN 5% OIL)
  - (B) CAVITY MARK: 0.25mm LETTERS (MAX. 0.1mm RAISED)
  - (C) APPLICABLE OPTION FIGURE BY MANUFACTURING PROCESS BUT MUST BE NO PROBLEM IN FUNCTION.

BLACK	MATERIAL	P/N	REV.
		85011-1	A




TE Connectivity

THIS DRAWING IS A CONTROLLED DOCUMENT.		DWN: JM JEON		NAME: TE Connectivity	
DIMENSIONS: M/M		CHK: -	APVD: JW JUNG	PRODUCT SPEC: -	
TOLERANCES UNLESS OTHERWISE SPECIFIED:		APPLICATION SPEC: -		WEIGHT: -	
0 PLC	±	SIZE: A3		CAGE CODE: -	
1 PLC	±	DRAWING NO: C-85011		RESTRICTED TO: -	
2 PLC	±	SCALE: 7:1		SHEET: 1 OF 1	
3 PLC	±	CUSTOMER DRAWING		REV: A1	
4 PLC	±				
FINISH:					

WIRE SEAL FOR 187 SLD 2P CONN'R  
(INSULATION DIA: Ø2.9-3.8mm)

## Looking for pricing, stock, or lifecycle information?

Click below to explore more details on WIN SOURCE:

 [View 85011-1](#) on WIN SOURCE

 [TE Connectivity](#) Information

## Optimize Your Supply Chain with WIN SOURCE Solutions

-  Global Sourcing Solution
-  Obsolete Management
-  Cost Control Management
-  Shortage Management
-  Alternative Solution
-  Excess Inventory Management