



THE DATASHEET OF
05200005ZXGY



520 Series Metric OMNI-BLOK® Molded Base Fuse Block for 5x20mm Fuses



Product Characteristics

Compatible Fuse Sizes	5x20mm Fuses
Description	The metric Omni-Blok® fuse block, for 5x20mm size fuses, is a low profile design that is available with a choice of solder type terminals, NEMA style QC terminals, or PC board mountable terminals. Each of these designs has tin plated brass terminals. A unique design feature provides self-alignment of the clips to the fuse caps. This feature, plus a one-piece clip/terminal design, assures low contact resistance. An anti-one-piece clip/terminal design, assures low contact resistance. An anti rotation feature is also available on the solder and QC terminal designs.
Electrical	UL/CSA: 10A, 600V VDE: 6.3A, 250V
Dielectric Strength	1500V., Minimum
Clip/Terminals	Tin-Plated Brass
Base	Glass reinforced Thermoplastic. UL 94V0 flammability rating. Gray color (GY) for anti-rotational series, black color for all others.
Ambient Temperature	-40°C to +85°C

Agency Approval

Agency	Agency File Number
	E14721
	7316
	97121

Additional Information



Datasheet



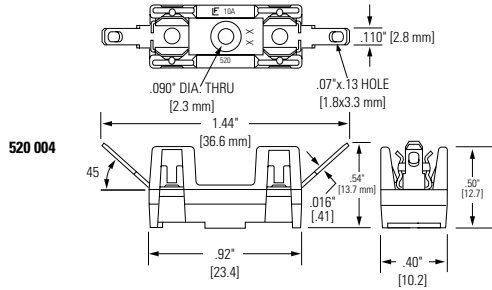
Resources



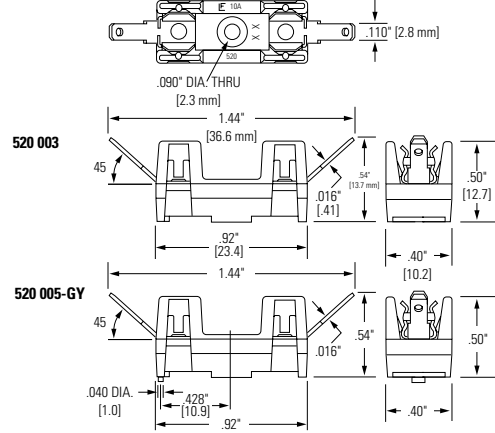
Samples

Product Dimensions [mm]

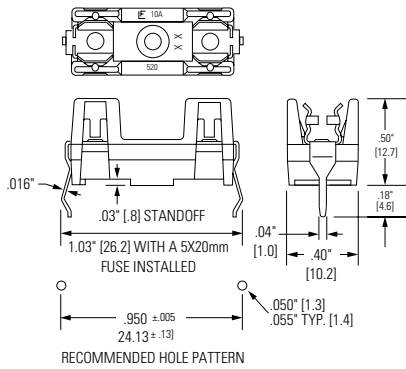
Solder Terminals Type (520 004):



Q.C. Terminals Type (520 003 and 520 005-GY):



PC Board Mount Type (520 101):



Ordering Information

Ordering PN	Part Number	Clip/Terminal Material	Anti-Rotation Boss	Packing
Solder Terminals Type				
05200004Z	520 004	Brass	No	Bulk starting at 1 piece
Q.C. Terminals (NEMA Style .110") Type				
05200003Z	520 003	Brass	No	Bulk starting at 1 piece
05200005 ZXGY	520 005 GY	Brass	Yes	Bulk starting at 1 piece
PC Board Mount Type				
05200101Z	520 101	Brass	No	Bulk starting at 1 piece

Looking for pricing, stock, or lifecycle information?

Click below to explore more details on WIN SOURCE:

 [View 05200005ZXGY on WIN SOURCE](#)

 [Littelfuse Inc. Information](#)

Optimize Your Supply Chain with WIN SOURCE Solutions

-  Global Sourcing Solution
-  Obsolete Management
-  Cost Control Management
-  Shortage Management
-  Alternative Solution
-  Excess Inventory Management