



**THE DATASHEET OF
FP2F-5M-Z**



FP

- Terminal Pins: Kinked
- Actuator Color: Yellow

Ultra-Miniature Pushbutton Switches

Washable

RoHS Compliant



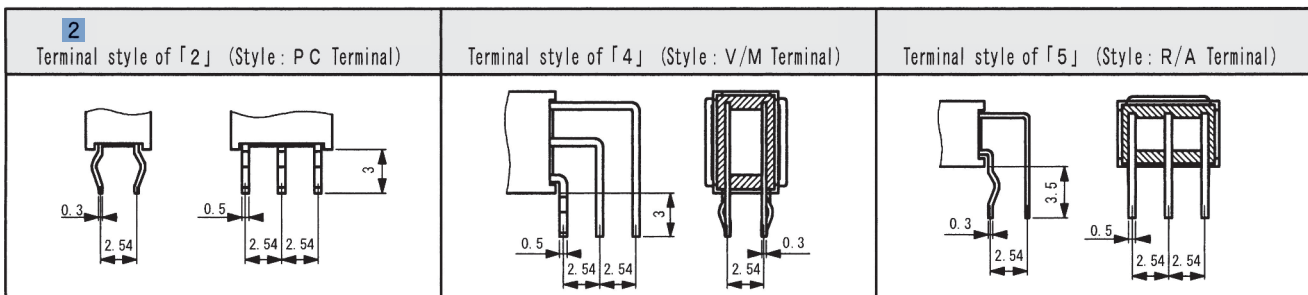
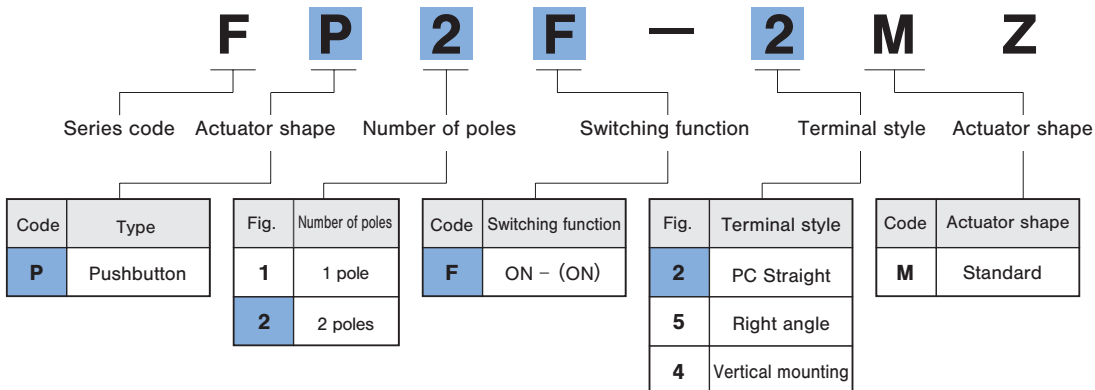
Features

1. Ultra-miniature pushbutton switch for high density mounting.
2. Washable.
3. Terminal pin pitch: 2.54 mm.
4. Independent detent mechanism ensures light operational feel.
5. Clip contact mechanism for long-term contact reliability.
6. Gold-plated contacts.

Specification

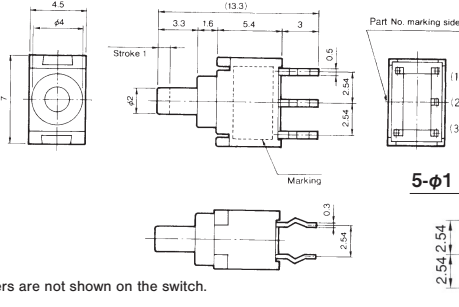
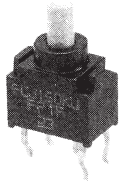
| | | |
|-----------------------------|--|--------------------|
| Rating | Max. | 0.4VA (28VDC max.) |
| | Min. | 1μA 20mVDC |
| Initial contact resistance | 100mΩmax. | (1.5mA 200μVAC) |
| Dielectric strength | 250VAC 1 minute | |
| Insulation resistance | 500MΩ min. | (250VDC) |
| Electrical life | 10,000 operations at max.rating, 30,000 operations at min.rating. | |
| Mechanical life | 30,000 cycles | |
| Operating force | 1.47 ± 0.98N | |
| Operating temperature range | -40~+85°C | |
| Storage temperature range | -40~+85°C | |

Part Numbering



SPDT

PC



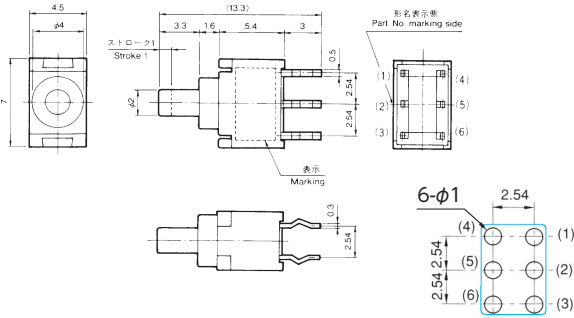
Terminal numbers are not shown on the switch.

| Switching function | | |
|----------------------|------------------|------|
| Part No. | FP1F-2M-Z | (ON) |
| Connecting terminals | 2-3 | 2-1 |

(Top view)
PC Hole Layouts

DPDT

PC



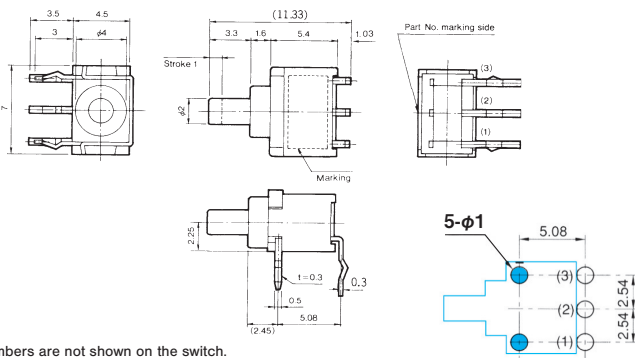
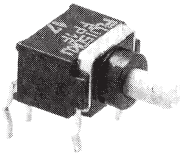
Terminal numbers are not shown on the switch.

| Switching function | | |
|----------------------|--------------------|------------|
| Part No. | ★ FP2F-2M-Z | (ON) |
| Connecting terminals | 2-3 5-6 | 2-1 5-4 |

(Top view)
PC Hole Layouts

SPDT

R/A



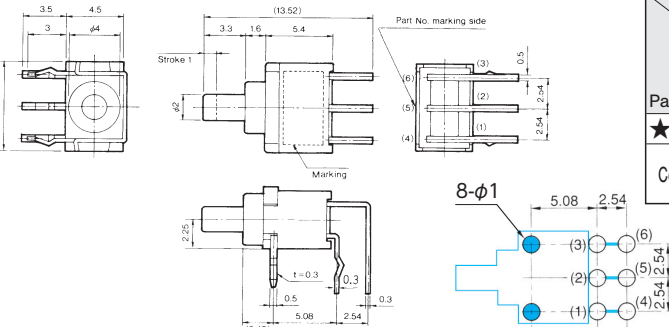
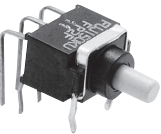
Terminal numbers are not shown on the switch.

| Switching function | | |
|----------------------|------------------|------|
| Part No. | FP1F-5M-Z | (ON) |
| Connecting terminals | 2-3 | 2-1 |

(Top view)
PC Hole Layouts

DPDT

R/A



Terminal numbers are not shown on the switch.

| Switching function | | |
|----------------------|--------------------|------------|
| Part No. | ★ FP2F-5M-Z | (ON) |
| Connecting terminals | 2-3 5-6 | 2-1 5-4 |

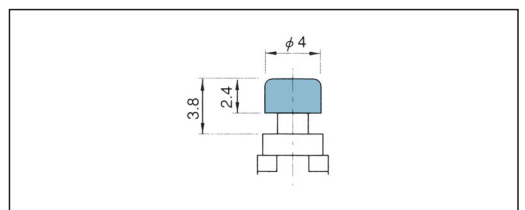
(Top view)
PC Hole Layouts

Optional Accessories

《Sold separately》

| Part Name | Dimension | Color | Part Number |
|-----------|------------------|-------|---------------------|
| Color Cap | <p>ABS resin</p> | White | 140000481453 |
| | | Red | 140000481452 |
| | | Black | 140000481451 |
| | | Gray | 140000481450 |

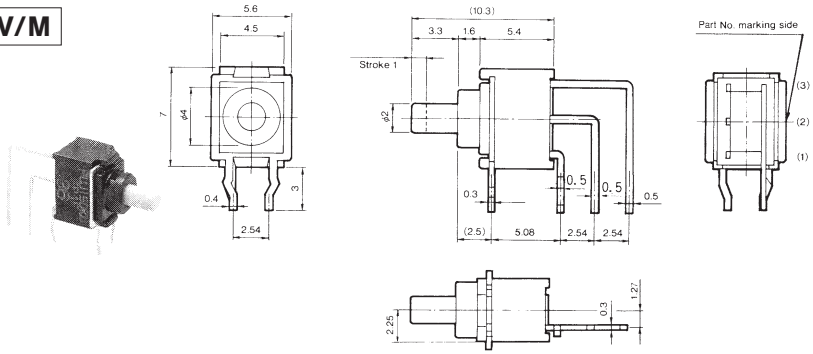
Color Cap Mounting



:Optional Accessories. The blue line shows the outline of the switch. (ON) : Momentary. ★ : Made to order products.

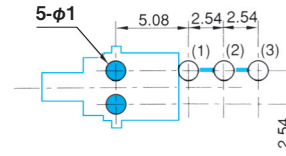
SPDT

V/M



Terminal numbers are not shown on the switch.

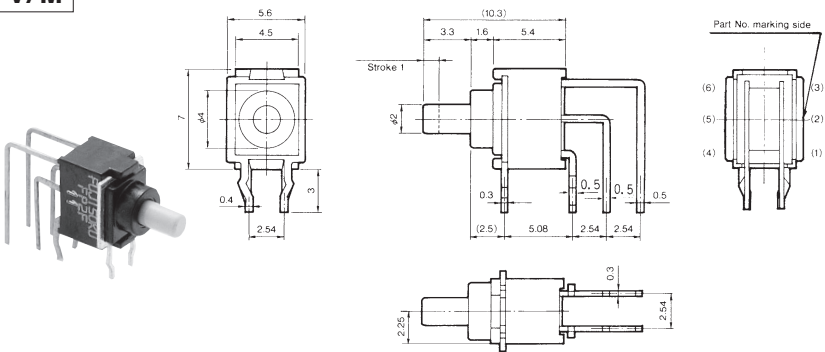
| Switching function | | |
|----------------------|-----|------|
| Part No. | ON | (ON) |
| Connecting terminals | 2-3 | 2-1 |



(Top view)
PC Hole Layouts

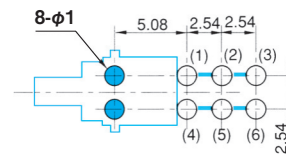
DPDT

V/M



Terminal numbers are not shown on the switch.

| Switching function | | |
|----------------------|------------|------------|
| Part No. | ON | (ON) |
| Connecting terminals | 2-3 5-6 | 2-1 5-4 |



(Top view)
PC Hole Layouts

Handling Precautions (FP, FT, FL)

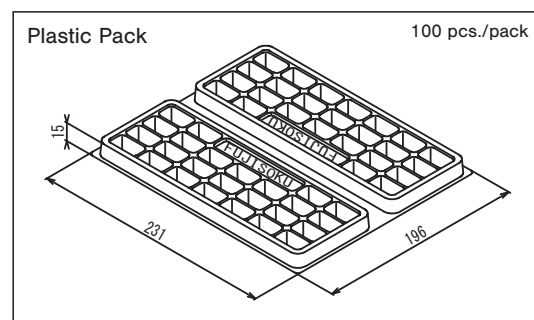
1. Soldering Specifications

- (1)Manual Soldering
 - Device : Soldering iron
 - 380°C, Max.; 3 seconds, Max.
- (2)Auto soldering
 - Device : Jet wave type or dip type
 - 275°C, Max.; 6 seconds, Max.
 - Pre-heating should be done at temperatures from 80 to 120°C and within 120 seconds.
- (3)When soldering two or more terminals to the common land, use solder resist to solder them independently.

2. Flux Cleaning



- (1)Solvents :Fluorine or Alcohol type
- (2)Cleaning after soldering should be done after the PC board is exposed to room temperature (30°C or below) for 1 to 2 hours.
- (3)Do not use ultrasonic cleaning.

Packaging Specifications



Looking for pricing, stock, or lifecycle information?

Click below to explore more details on WIN SOURCE:

-  [View FP2F-5M-Z on WIN SOURCE](#)
-  [Nidec Copal Electronics Information](#)

Optimize Your Supply Chain with WIN SOURCE Solutions

-  Global Sourcing Solution
-  Obsolete Management
-  Cost Control Management
-  Shortage Management
-  Alternative Solution
-  Excess Inventory Management