



# THE DATASHEET OF BW15



# Specifications

802.11b/g/n Wi-Fi +BLE 4.2Module

## BW15

Version: V 1.0

## Disclaimer and copyright notice

The information in this article, including the URL address for reference, is subject to change without notice. The Documentation is provided "as is" without any warranty, including any warranties of merchantability, fitness for a particular purpose, or non-infringement, and any warranties mentioned in the proposal, specification or sample. This document is not responsible for any infringement of any patent rights arising out of the use of the information in this document. No license, express or implied, by estoppel or otherwise, is hereby granted.

The test data obtained in this paper are all obtained by B&T laboratory , and the actual results may be slightly different. The Wi-Fi alliance membership mark is owned by the WiFi alliance.

All trade mark names, trademarks and registered trademarks mentioned herein are the property of their respective owners and are hereby declared.

The final interpretation right is owned by Shenzhen B&T Technology Co., Ltd.

### Note

The contents of this manual may be changed due to the version upgrade of the product or other reasons. Shenzhen B&T Technology Co., Ltd. reserves the right to modify the contents of this manual without any notice. This manual is only used as a guide, and Shenzhen B&T Technology Co., Ltd. makes every effort to provide accurate information in this manual, but Shenzhen B&T Technology Co., Ltd. does not ensure that the contents of the manual are completely true. All statements and information in this manual, and the recommendations do not constitute for any warranty, express or implied.

## Document development / revision / revocation resume

Version	Date	Development/revision	Development	Approval
V1.0	2020.08.12	First draft	Xu Xu	

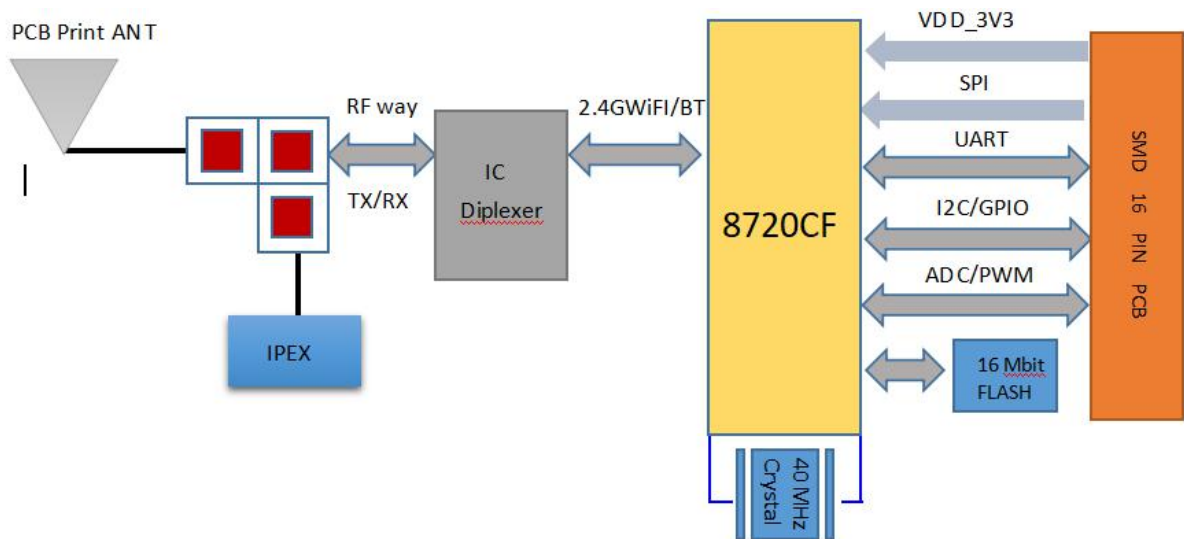
## Directory

一. Product overview.....	4
二. Electrical parameters.....	6
三. Appearance dimensions.....	8
四. Pin definition.....	10
五. Schematic diagrams.....	11
六. Design guidance.....	12
七. Reflow soldering.....	15
八. Packaging information.....	16

## 一、Product Overview

BW15 module was developed by B&t, a highly integrated Wi-Fi and Bluetooth SOC module, The main chip RTL8720CF is a high integrated low power chip that supports 2.4 GHz wireless LAN (WLAN) and Bluetooth low power (v4.2); a combination of Real-M300MCU, in a single chip WLAN MAC, with the 1T1R function of WLAN baseband. And it provides configurable GPIO, and these GPIO are configured as digital peripherals, for different applications and control purposes.

BW15 also integrates internal memory to achieve complete WIFI and BLE4.2 protocol functions. Embedded memory configuration also supports simple application development.



## Characteristics

- Support 802.11 b/g/n 1x1, 2.4GHz
- Support MCS7 up to 20 MHz /40MHz
- Low Power Architecture
- Support low power transmit/receive, suitable for short range applications

- Low power beacon listening mode, low power receiving mode, low power pending mode
- Built-in AES/SHA hardware engine
- Built-in 2 MB Flash
- Support BLE4.2BQB
- Support for central and peripheral models
- The internal coexistence mechanism between WIFI and BT shares the same antenna
- Supporting STA/AP/STA+AP operating mode
- Support One-click distribution network for Android, IOS Smart Config (APP)/AirKiss
- Supports local serial port upgrades and remote firmware upgrades (OTA)
- General AT commands can be used quickly

## Main parameters

Table 1 Main parameters description

Model	BW15
Package	SMD-16
Size	24*16*3(±0.2) MM
Antenna format	On-board PCB antenna/ IPEX antenna
Spectrum range	2400~2483.5 MHz
Bluetooth	Bluetooth 4.2BLE
Bluetooth Frequency	2.402 GHz -2.480GHz
Operating temperature	-40 °C ~ 85 °C
Storage environment	-40°C~125°C, <90%RH

Power supply range	Supply voltage 3.0 V ~3.6 V, supply current >500 mA
Support interface	UART/GPIO/ADC/PWM /IIC /SPI

## 二、Electrical parameters

*BW15 series of modules are electrostatic sensitive equipment, special preventive measures should be taken during handling*



### Tip:

BW15 modules are electrostatic sensitive devices (ESD) that require special ESD precautions and should normally be applied to ESD sensitive components. The correct ESD processing and packaging procedures must be adopted throughout the processing, transportation and operation of any application combined with the BW15 module. Do not touch the module by hand or use non-static soldering iron to avoid damage to the module.

## Electrical characteristics

Parameter conditions	Minimum value	Typical values	Maximum value	Unit
IRSH33 3.3 V Inrush current	–	–	400	mA
Peak current RF TX CCK 11M 21dBm	–	–	600	mA
DC_IO_33(3.3V I/O rated current)	–	–	50	mA
Electrostatic protection (VESD)	–	–	2000	V

## WIFI RF performance

Description	Typical values	Unit
Operating frequency	2400 ~ 2483.5	MHz
<b>Output power</b>		
11n mode, PA output power	15±2	dBm
11g mode, PA output power	16±2	dBm
11b mode, PA output power	18±2	dBm
<b>Receiving sensitivity</b>		
CCK, 1Mbps	≤ -98	dBm
CCK, 11Mbps	≤ -90	dBm
6Mbps (1/2 BPSK)	≤ -94	dBm
54Mbps (3/4 64- QAM)	≤ -77	dBm
HT20 (MCS7)	≤ -74	dBm

## Bluetooth RF Performance

Description	Typical values	Unit
Operating frequency	2400 ~ 2483.5	MHz
<b>Output power</b>		
PA output power is	7±2	dBm
<b>Receiving sensitivity</b>		
Receiving sensitivity	≤ -92	dBm

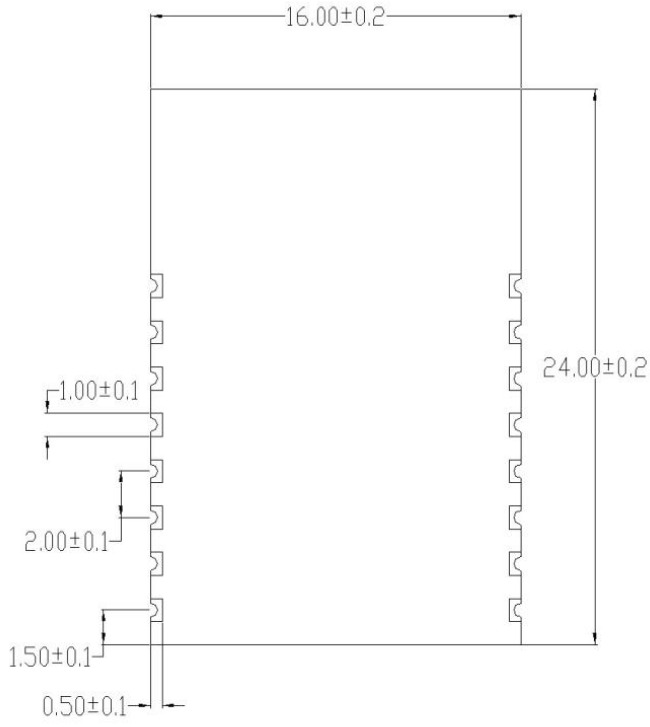
## Power consumption

The following power consumption data are based on a 3.3 V power supply ,25° C ambient temperature and measured using an internal voltage regulator.

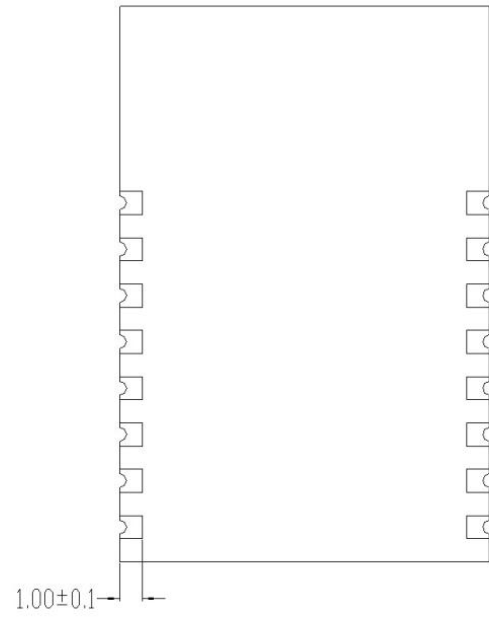
- All measurements are completed at the antenna interface without SAW filters.
- all emission data were measured in the mode of continuous emission based on a 90% duty cycle.

Mode	Minimum value	Typical values	Maximum value	Unit
Transfer 802.11 b,CCK 11Mbps,POUT=+17 dBm	-	250	-	mA
Transfer 802.11 g,OFDM 54Mbps,POUT =+15 dBm	-	210	-	mA
Transfer 802.11 n,MCS7,POUT =+13 dBm	-	195	-	mA
Receive 802.11 b, packet length 1024 bytes ,-80 dBm	-	50	-	mA
Receive 802.11 g, packet length 1024 bytes ,-70 dBm	-	56	-	mA
Receive 802.11 n, packet length 1024 bytes ,-65 dBm	-	56	-	mA
Modem-Sleep①	-	20	-	mA
Light-Sleep②	-	2	-	mA
Deep-Sleep③	-	28	-	uA
Power Off	-	0.5	-	uA

## 三、 Appearance dimensions



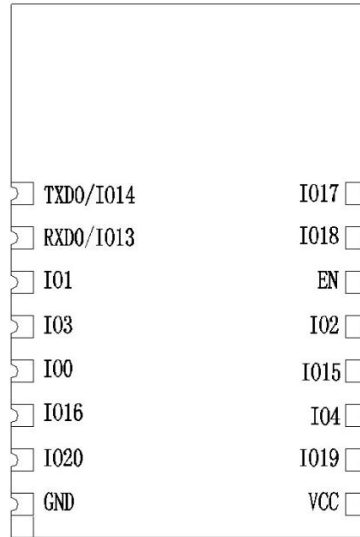
正面



背面

## 四、Pin definition

The BW15 module has a total of 16 interfaces. As shown in the pin diagram, the pin function definition table is the interface definition.



BW15 pin diagram

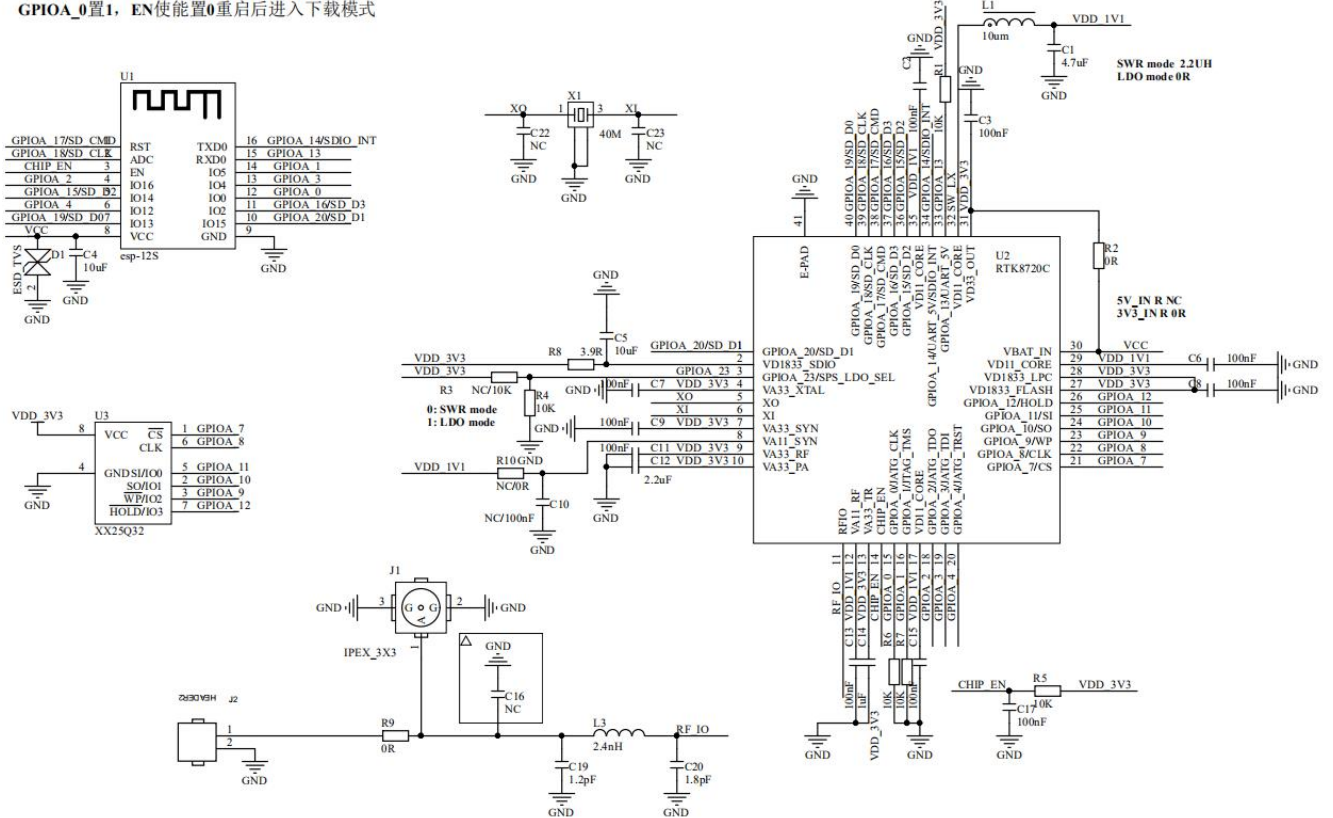
Function definition of pin

No.	Name	Functional Description
1	I017	GPIOA_17/SD_CMD/SPI_M_D2/PWM5
2	I018	GPIOA_18/SD_CLK/SPI_M_D3/PWM6
3	EN	Chip Enable End
4	I02	GPIOA_2/UART1_IN/SPI_CS/I2C_SCL/PWM2
5	I015	GPIOA_15/SD_D2/SPI_M_CS/UART2_IN/SPI_CS/I2C_SCL/PWM3
6	I04	GPIOA_4/UART1_CTS/SPI_MOSI/PWM4
7	I019	GPIOA_19/SD_D0/SPI_M_D0/UART2_CTS/SPI_MOSI/I2C_SCL/PWM7
8	VCC	3.3 V Electricity (VDD); maximum 500 mA
9	GND	Ground
10	I020	GPIOA_20/SD_D1/SPI_M_D1/UART2_RTS/SPI_MISO/I2C_SDA/PWM0
11	I016	GPIOA_16/SD_D3/SPI_M_CLK/UART2_OUT/SPI_SCL/I2C_SDA/

		PWM4
12	I00	GPIOA_0/UART1_IN/EXT_32K/PWM0
13	I03	GPIOA_3/UART1_OUT/SPI_SCL/I2C_SDA/PWM3
14	I01	GPIOA_1/UART1_OUT/PWM1
15	I013	LP_UART_RXD
16	I014	LP_UART_TXD

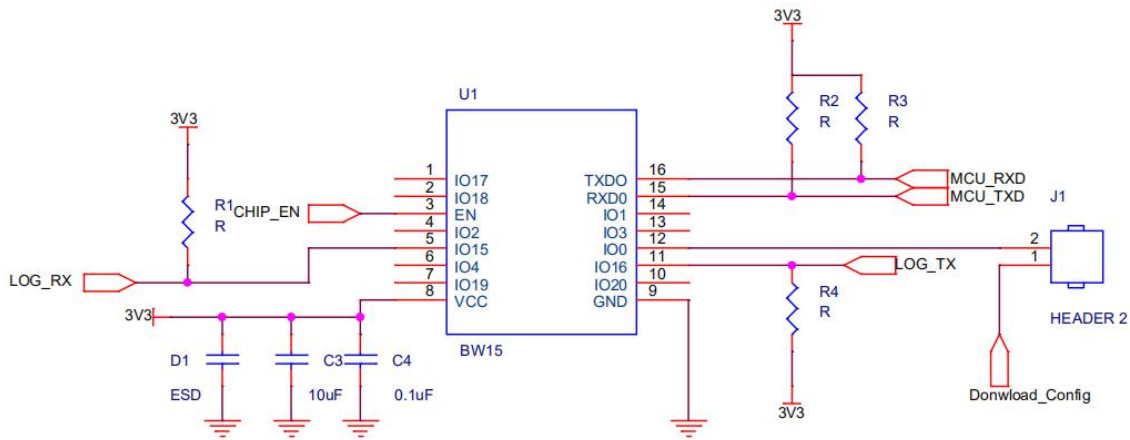
## 五、Schematic diagram

GPIOA\_0置1, EN使能置0重启后进入下载模式



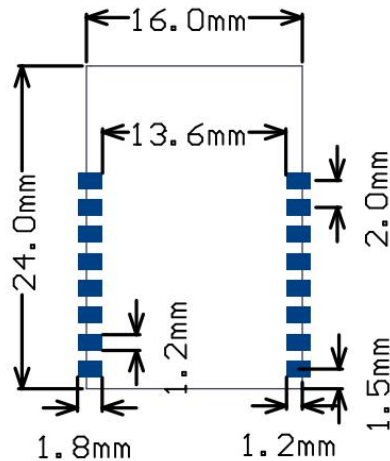
## 六、 Design guidance

### 1、 Application circuit



### 2、 Recommended Module Package Design Size

*Note: This is the BW15 module package diagram, It is recommended to design the PCB board according to this diagram, so that the module can work normally on the PCB board; and when designing the pads, please pay attention to the design of the pads on the PCB. The pad is retracted and offset, and the PCB pad is expanded from the module pad do not affect the use of the module.*



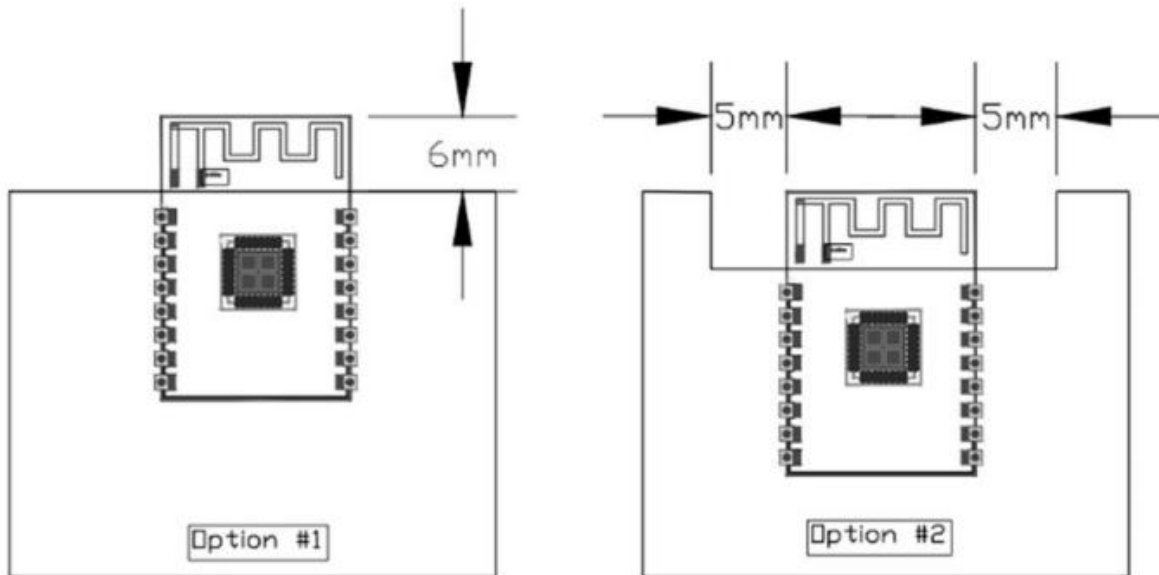
### 3、 Antenna layout requirements

(1)、 the installation position on the motherboard, the following two ways are recommended:

Scheme 1: put the module on the edge of the motherboard, and the antenna area extends out of the edge of the motherboard.

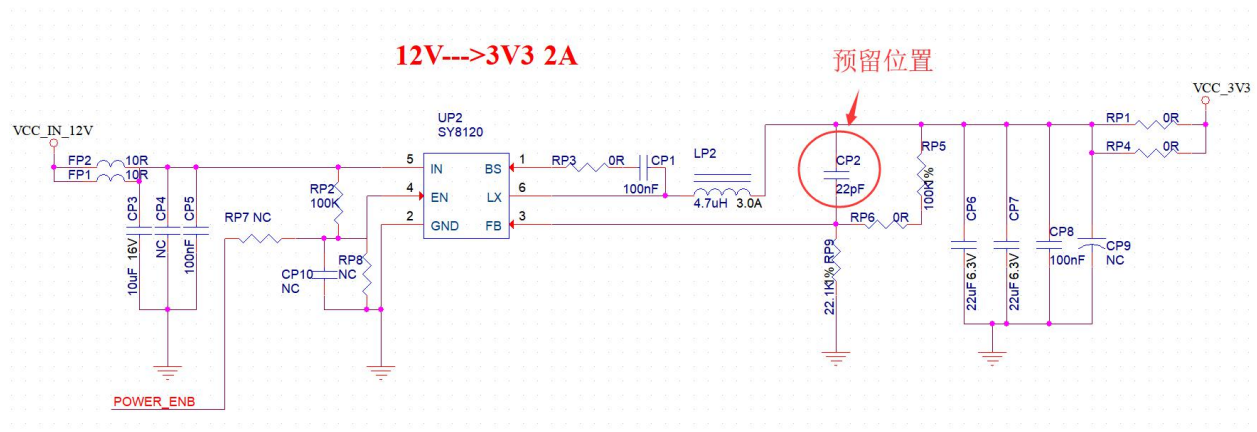
Scheme two: put the module on the edge of the motherboard, the edge of the motherboard in the antenna position empty an area.

(2)、 in order to meet the performance of on-board antenna, it is forbidden to place metal parts around the antenna, away from high-frequency components..



#### 4. power supply

- (1)、 Recommended 3.3 V voltage, peak current above 500 mA
- (2)、 It is recommended to use LDO for power supply; if DC-DC is used, the ripple is recommended to be controlled within 30mV.
- (3)、 It is recommended to reserve the position of the dynamic response capacitor for the DC-DC power supply circuit, which can optimize the output ripple when the load changes greatly.
- (4).It is recommended to add ESD devices to the 3.3V power interface



#### 5. GPIO port use

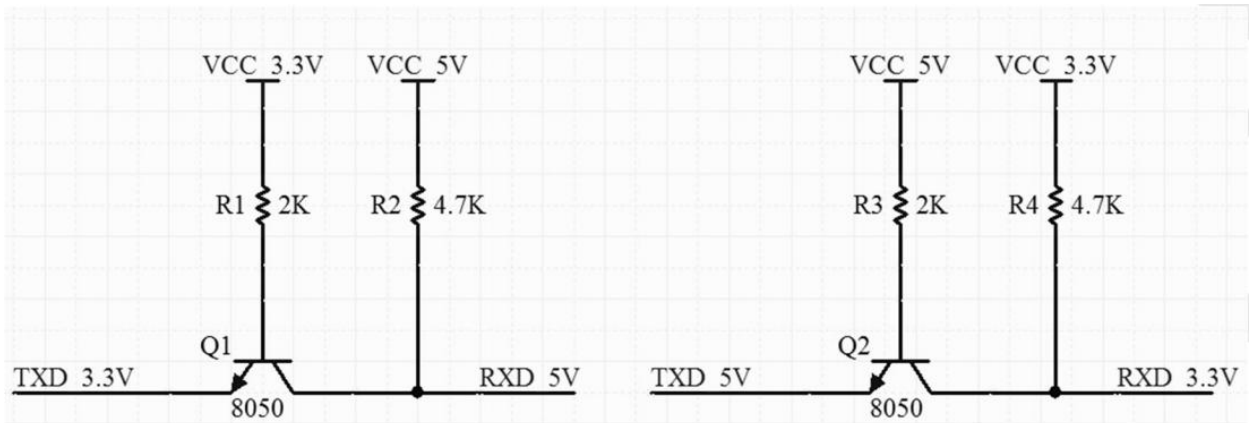
- (1)、 module periphery have lead some GPIO interfaces, if you need to use,it is recommended the resistance of 10-100 ohms in series on the IO port. This can

suppress overshoot, and two sides of the level more stable. and help for both EMI and ESD.

(2)、 The IO ports for pull up and down, please refer to the specification, this will affect the module startup configuration.

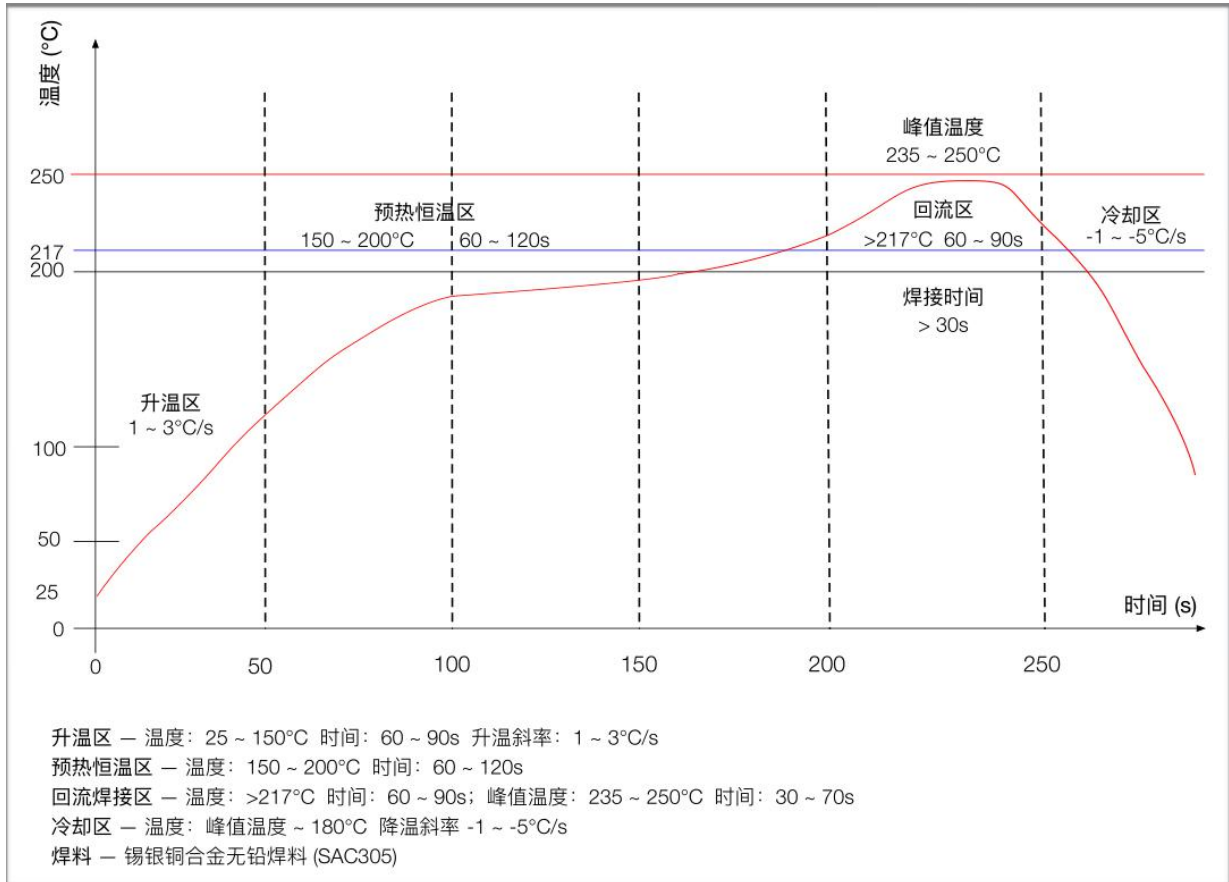
(3)、 The module IO port is 3.3 V, if the main control does not match the IO level of the module, the level conversion circuit needs to be added.

(4)、 if the IO port is directly connected to the peripheral interface, or pin and other terminals, it is recommended to reserve ESD device near the terminal.



Graph level conversion circuit

## 七、Reflow soldering curve



## 八、Packaging information

As shown below, the BW15 is packed in ribbons:



Shenzhen R & D address: C Building, Huafeng Intelligent Innovation  
Port, Xixiang, Baoan District, Shenzhen

Address :2-4/F, Building A, Dongfang Industrial Park, No.6 Industrial  
Zone, Da Che Village, Nanlang Town, Zhongshan City



Tel :0755-29162996, 0760-88580932

Fax :0760-89961414







Website: <http://www.tech-now.com>

## Looking for pricing, stock, or lifecycle information?

Click below to explore more details on WIN SOURCE:

-  [View BW15 on WIN SOURCE](#)
-  [Ai-Thinker Information](#)

## Optimize Your Supply Chain with WIN SOURCE Solutions

-  Global Sourcing Solution
-  Obsolete Management
-  Cost Control Management
-  Shortage Management
-  Alternative Solution
-  Excess Inventory Management