

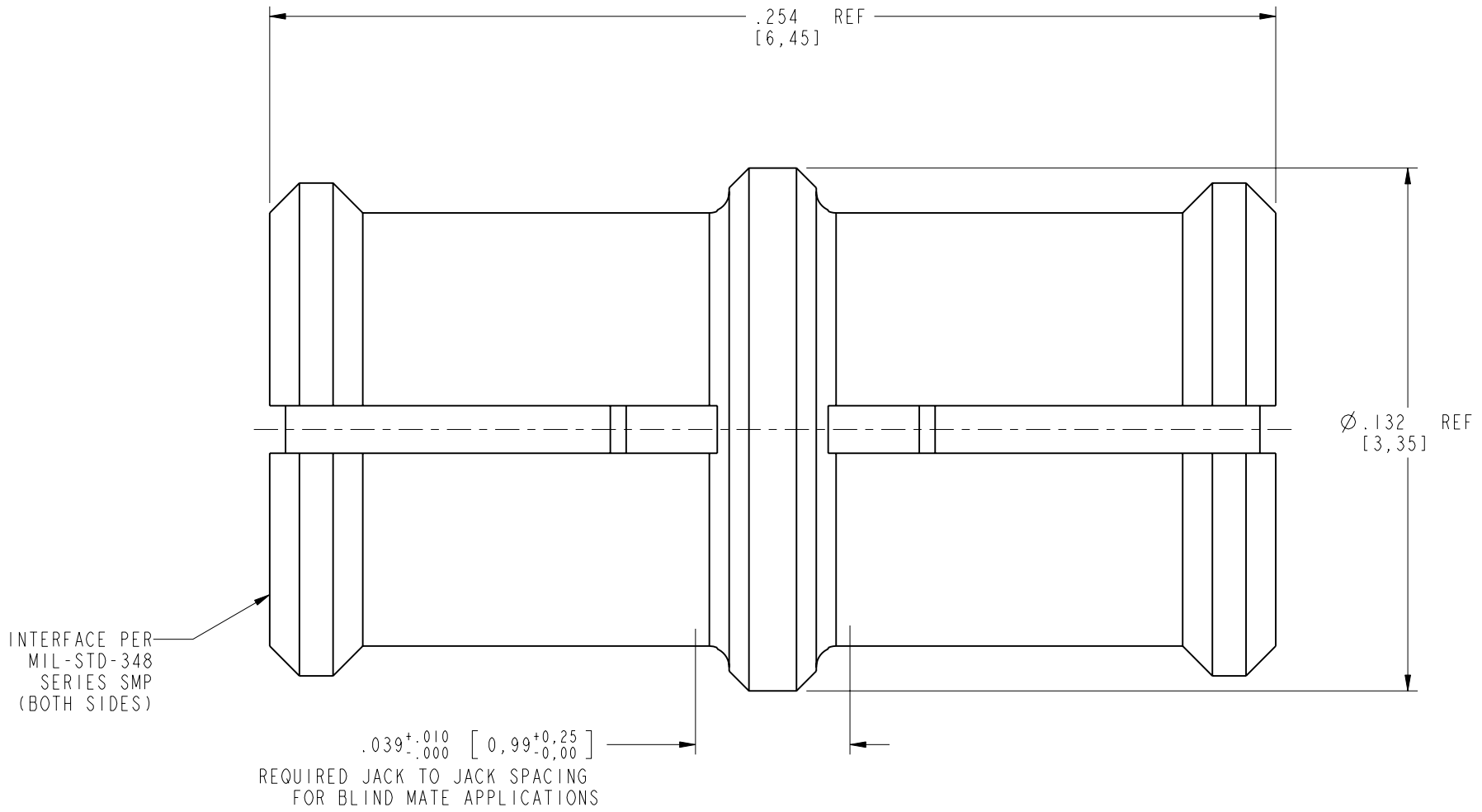
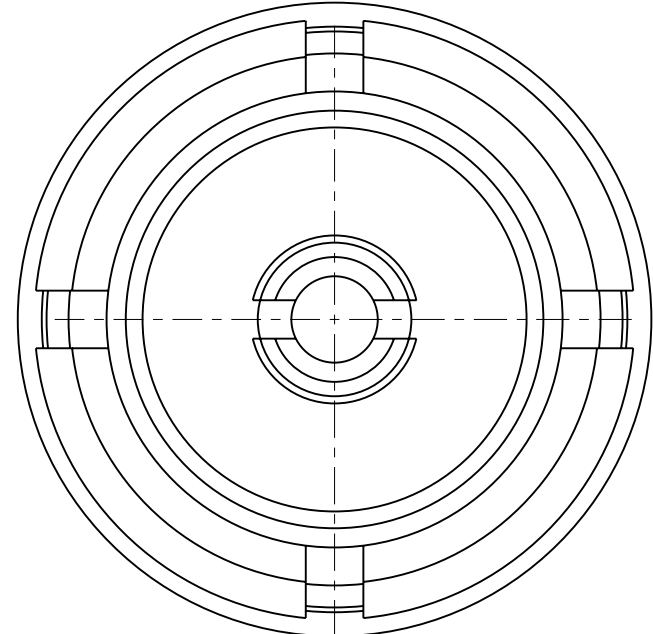
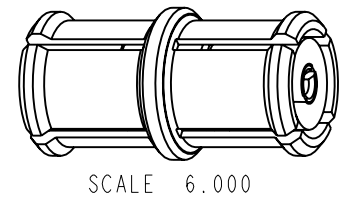


THE DATASHEET OF SMP-FSBA-645



SMP-FSBA-645		REVISIONS		
DRAWING NO.	REV	DESCRIPTION	DATE	ECO
THIRD ANGLE PROJ.	A	RELEASE TO MFG	2/25/05	45416

- {NOTES:
- MATERIALS AND FINISHES:
 BODY - BeCu, GOLD PLATING, .000030 [0.8] THICK OVER NICKEL
 CONTACT - BeCu, GOLD PLATING, .000030 [0.8] THICK OVER NICKEL
 INSULATOR - PTFE
 - ELECTRICAL:
 A. IMPEDANCE: 50 OHM
 B. FREQUENCY RANGE: DC - 26.5 GHz
 C. VSWR(RETURN LOSS): 1.2 (20.8 dB), MAX. DC-10GHz
 1.4 (15.6 dB), MAX. 10-18GHz
 1.5 (14 dB), MAX. 18-26.5GHz
 D. DIELECTRIC WITHSTANDING VOLTAGE: 500 VRMS, MIN.
 - PHYSICAL:
 A. DURABILTIY: 100 CYCLES MIN.
 B. ENGAGEMENT FORCE: 15 LB [67 N] MAX
 C. DISINGAGEMENT FORCE: 2 LB [9 N] MIN
 E. TEMPERATURE RANGE: -65° C TO 165° C
 - PACKAGING:
 A. QUANTITY: SINGLE PACK
 B. MARKING: AMPHENOL, SMP-FSBA-645, DATE CODE



CUSTOMER OUTLINE DRAWING
 ALL OTHER SHEETS ARE FOR INTERNAL USE ONLY

UNLESS OTHERWISE SPECIFIED, DIMENSIONS ARE IN INCHES AND TOLERANCES ARE: 2 PLACE DECIMAL 3 PLACE DECIMAL ANGLES ±.015 (0,381 mm) ±.005 (0,127 mm) ± 1°	MATERIAL	DRAWN MIKE HOYACK	DATE 10-Dec-02	TITLE ASSEMBLY FEMALE TO FEMALE	Amphenol RF Danbury, CT, USA Tainan, Taiwan Shenzhen, China www.amphenolrf.com
	REFERENCE GEN# ASSYF4_SMP EAR# 796, PREVIOUSLY 322 & 1693 615X-1718-100	ENGINEER MIKE HOYACK	DATE 10-Dec-02		
NOTICE - These drawings, specifications, or other data (1) are, and remain the property of Amphenol Corp. (2) must be returned upon request; and (3) are confidential and not to be disclosed to any person other than those to whom they are given by Amphenol Corp. The furnishing of these drawings, specifications, or other data by Amphenol Corp., or to any other person to anyone for any purpose is not to be regarded by implication or otherwise in any manner licensing, granting rights or permitting such holder or any other person to manufacture, use or sell any product, process or design, patented or otherwise, that may in any way be related to or disclosed by said drawings, specifications, or other data.		CAD FILE I:\SMP\SMP-FSBA-645	CODE ID 74868	DWG SIZE B	DRAWING NO. SMP-FSBA-645
					REV A

Looking for pricing, stock, or lifecycle information?

Click below to explore more details on WIN SOURCE:

- ⊖ [View SMP-FSBA-645 on WIN SOURCE](#)
- ⊖ [Amphenol-RF Division Information](#)

Optimize Your Supply Chain with WIN SOURCE Solutions

- ✓ Global Sourcing Solution
- ✓ Obsolete Management
- ✓ Cost Control Management
- ✓ Shortage Management
- ✓ Alternative Solution
- ✓ Excess Inventory Management