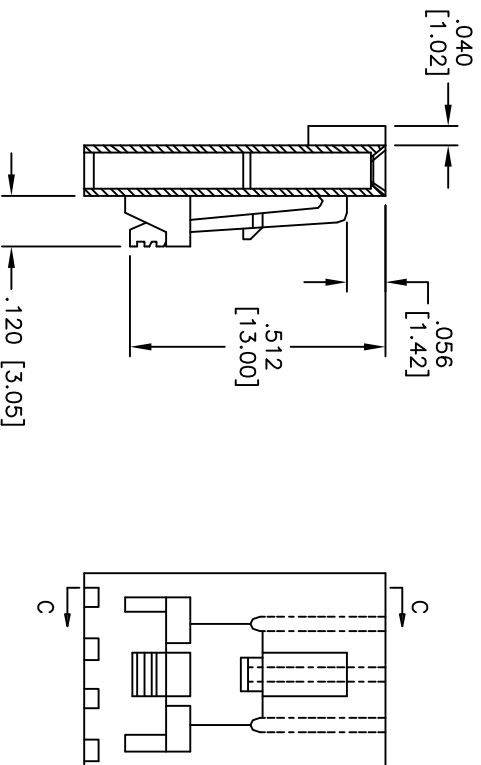
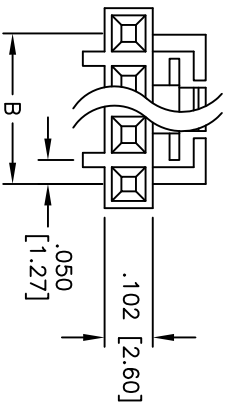


Rev	AWO #	Description	Date	Appr
-		RELEASED	4/7/05	
A		FIXED PART NUMBER	04/24/06	BAS



SECTION C-C

Positions: 2 thru 18
 A = .100 [2.54] x No. of Positions
 B = .100 [2.54] x No. of Spaces

ated UL 94V-0

ns min @ 500 VDC
 00 VAC for 1 minute

+85°C

UNLESS OTHERWISE SPECIFIED ALL DIMENSIONS ARE INCHES [MM]		TITLE	
TOLERANCES: EXCEPT AS NOTED		.100 [2.54] LATCHING HOUSING	
INCHES	HOLES	909 Railway Avenue, Union, NJ 07083	
.X ± .10	Ø.X ± .10	Phone: 908-687-5000 Fax: 908-687-5710	
.XX ± .020	Ø.XXX ± .015		
.XXX ± .015	Ø.XXXX ± .010		
APPROVALS	DATE		
DRAWN	SS	4/7/05	
CHECKED			
APPROVED			

SIZE	PART NO.	REV.
X	CDH-XX	-
REF:	SCALE: NTS	SHEET 1 OF 1

5

4

3

2

1

A



B

C

D

Looking for pricing, stock, or lifecycle information?

Click below to explore more details on WIN SOURCE:

-  [View CDH-04 on WIN SOURCE](#)
-  [Adam Technologies, Inc. Information](#)

Optimize Your Supply Chain with WIN SOURCE Solutions

-  Global Sourcing Solution
-  Obsolete Management
-  Cost Control Management
-  Shortage Management
-  Alternative Solution
-  Excess Inventory Management