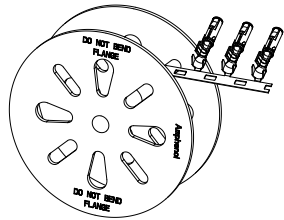




**THE DATASHEET OF  
SS20W2F**



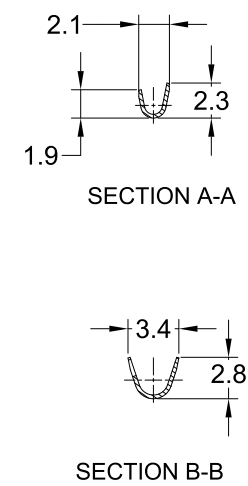
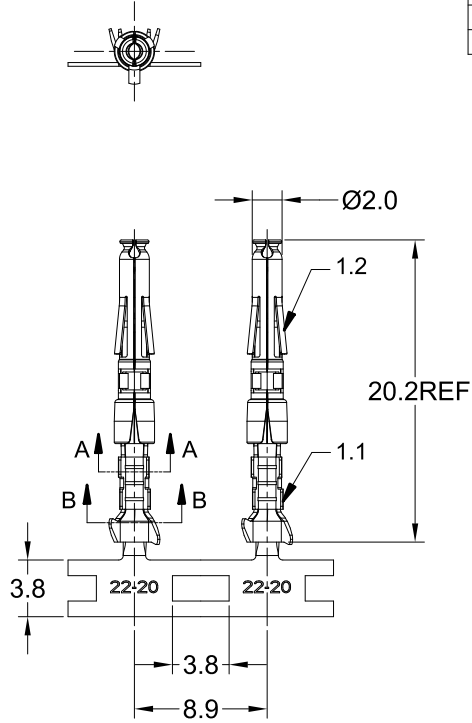


CONTACT ORIENTATION ON ROLL  
(3000PCS/COIL)

NOTES: (UNLESS OTHERWISE SPECIFIED)

1. MATERIAL:
  - 1.1. CONTACT BODY: COPPER ALLOY.
  - 1.2. OUTER SPRING: STAINLESS STEEL.
2. SPECIFICATIONS:
  - 2.1 CURRENT RATING: 5A MAX.
  - 2.2 TERMINATION TYPE: CRIMPING.
  - 2.3 WIRE RANGE: 18~22AWG.
  - 2.4 WIRE INSULATION DIA(MAX): Ø2.6mm.
3. RoHS COMPLIANT.
4. ALL DIMENSIONS ARE FOR REFERENCE USE ONLY.
5. AVAILABLE TOOLS:
  - 5.1 HAND CRIMPER: MFX-3958.
  - 5.2 CRIMP APPLICATOR: MFX-3957.
  - 5.3 EXTRACTION TOOL: QXRT20.

P/N	CONTACT PLATING(MATING AREA)
SS20W2T	TIN PLATING OVER NICKEL.
SS20W2N	NICKEL PLATING OVER COPPERIZE.
SS20W2F	GOLD FLASH PLATING OVER NICKEL.
SS20W2G5	5μ"GOLD PLATING OVER NICKEL.
SS20W2G10	10μ"GOLD PLATING OVER NICKEL.
SS20W2G15	15μ"GOLD PLATING OVER NICKEL.
SS20W2G30	30μ"GOLD PLATING OVER NICKEL.





REVISIONS					
REV	ECO	DESCRIPTION	DATE	BY	APPR
A1	-	RELEASED DRAWING	Nov-9-17	Rookie	Tommy
A2	-	ADD THE G5 PART NUMBER	Jan-28-19	Blink	Tommy
A3	-	CHANGE HAND CRIMPER	Nov-8-19	Flan	Tommy
A4	C1735S	CHANGE STAINLESS STEEL HOOD	Oct-25-22	Ronald	Tommy
A5	-	UPDATE CONTACT ORIENTATION ON ROLL	May-18-23	Ronald	Tommy
A6	-	CHANGE THE WIRE RANGE	Aug-09-23	Ronald	Tommy

QUANTITY	PART NUMBER	DESCRIPTION	ITEM												
<b>MATERIALS LIST</b>															
UNLESS OTHERWISE SPECIFIED: 1) All dimensions are in metric (mm). 2) Tolerances are as follows: 1 PL DEC ±0.30 2 PL DEC ±0.15 3 PL DEC ±0.08 3) Note reference =		<table border="1"> <thead> <tr> <th>SIGNATURES</th> <th>DATE</th> </tr> </thead> <tbody> <tr> <td>DRAWN: Ronald</td> <td>Aug-09-23</td> </tr> <tr> <td>CHECKED: Joe</td> <td>Aug-10-23</td> </tr> <tr> <td>ENGINEER:</td> <td></td> </tr> <tr> <td>APPROVAL: Tommy</td> <td>Aug-10-23</td> </tr> <tr> <td>CUSTOMER:</td> <td></td> </tr> </tbody> </table>		SIGNATURES	DATE	DRAWN: Ronald	Aug-09-23	CHECKED: Joe	Aug-10-23	ENGINEER:		APPROVAL: Tommy	Aug-10-23	CUSTOMER:	
SIGNATURES	DATE														
DRAWN: Ronald	Aug-09-23														
CHECKED: Joe	Aug-10-23														
ENGINEER:															
APPROVAL: Tommy	Aug-10-23														
CUSTOMER:															
MATERIAL SPECIFICATIONS:		<p style="text-align: center;"><b>Amphenol</b></p> <p>Sine Systems - www.amphenol-sine.com 44724 Morley Drive Clinton Township, MI 48036</p> <p>ECO-MATE, SOCKET CONTACT, STAMPED, 18-22AWG, SIZE 20</p>													
PROCESS SPECIFICATIONS:															
NEXT ASSY:		<table border="1"> <tr> <td>SIZE</td> <td>TYPE</td> <td>DWG NO:</td> <td>REVISION</td> </tr> <tr> <td>B</td> <td>C-</td> <td>SS20W2xx</td> <td>A6</td> </tr> </table>	SIZE	TYPE	DWG NO:	REVISION	B	C-	SS20W2xx	A6					
SIZE	TYPE	DWG NO:	REVISION												
B	C-	SS20W2xx	A6												
		SCALE: NONE	SHEET 1 OF 1												

TITLE: ECO-MATE SOCKET CONTACT, STAMPED, 18-22 AWG, SIZE 20  
DWG NO.: SS20W2xx  
REV: A6  
SH: 1  
OF: 1

## Looking for pricing, stock, or lifecycle information?

Click below to explore more details on WIN SOURCE:

-  [View SS20W2F on WIN SOURCE](#)
-  [Amphenol Sine Systems Corp Information](#)

## Optimize Your Supply Chain with WIN SOURCE Solutions

-  Global Sourcing Solution
-  Obsolete Management
-  Cost Control Management
-  Shortage Management
-  Alternative Solution
-  Excess Inventory Management