

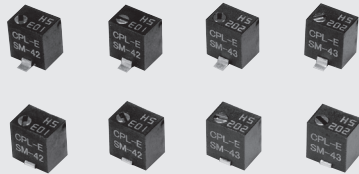


**THE DATASHEET OF
SM-43TW503**



SURFACE MOUNT CERMET TRIMMERS **SM-42/43**

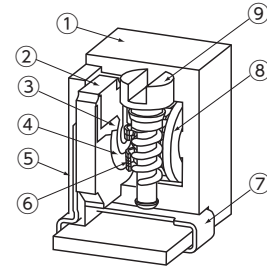
RoHS compliant



FEATURES

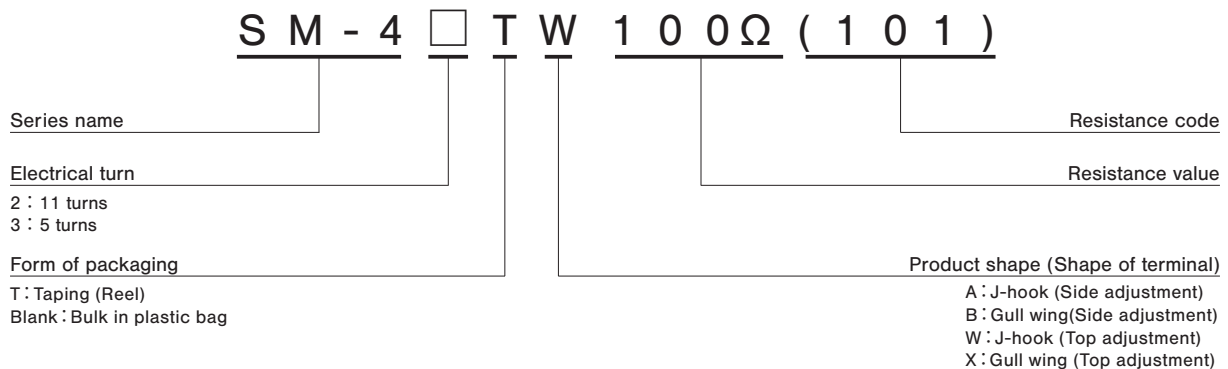
- RoHS compliant
- Fine adjustment is possible
- Automatic mounting is possible (Taping)
- Reflow soldering is possible
- Sealed construction (Washable: Refer to page 628.)
- Resin material is UL Recognized 94V-0

INTERNAL STRUCTURE



| | Part name | Material |
|---|-------------------|-----------------------------|
| ① | Housing | PPS (Polyphenylenesulphide) |
| ② | Base element | Ceramic |
| ③ | Electrode | Ag-Pd cermet |
| ④ | Resistive element | RuO ₂ cermet |
| ⑤ | Adhesive | Epoxy |
| ⑥ | Wiper | Multi metal alloy |
| ⑦ | Terminal pin | Copper alloy, Sn-Cu-plated |
| ⑧ | Rotor gear | PA(Polyamide) |
| ⑨ | Shaft | Brass, Nickel-plated |

PART NUMBER DESIGNATION



※ Please refer to the LIST OF PART NUMBERS when placing orders.

SM-42/43

SURFACE MOUNT TRIMMERS

LIST OF PART NUMBERS

| Electrical turn | Adjustment position | Shape of terminal | Form of packaging | |
|-------------------|---------------------|-------------------|--|--------------|
| | | | Taping (reel) | Plastic bag |
| 11 | Top adjustment | W (J-hook) | SM-42TW | SM-42W |
| | | X (Gull wing) | SM-42TX | SM-42X |
| | Side adjustment | A (J-hook) | SM-42TA | SM-42A |
| | | B (Gull wing) | SM-42TB | SM-42B |
| 5 | Top adjustment | W (J-hook) | SM-43TW | SM-43W |
| | | X (Gull wing) | SM-43TX | SM-43X |
| | Side adjustment | A (J-hook) | SM-43TA | SM-43A |
| | | B (Gull wing) | SM-43TB | SM-43B |
| Pieces in package | | | TA, TB : 500 pcs./reel TW, TX : 250 pcs./reel | 50 pcs./pack |

◁Nominal resistance values▷

| | | | | | | | | |
|-------|-------|-------|--------|-------|--------|------|------|------|
| ⊖10 Ω | ⊖20 Ω | 50 Ω | 100 Ω | 200 Ω | 500 Ω | 1 kΩ | 2 kΩ | 5 kΩ |
| 10 kΩ | 20 kΩ | 50 kΩ | 100 kΩ | 200kΩ | 500 kΩ | 1 MΩ | 2 MΩ | |

Fig. 1

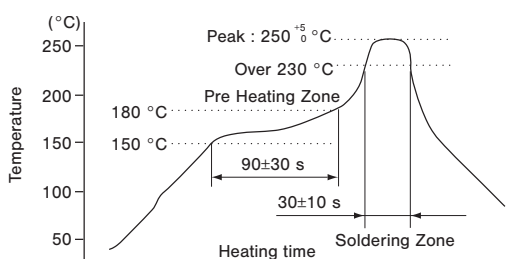
The products indicated by ⊖ mark are manufactured upon receipt of order basis.

- ※ The above part numbers are all available with the respective combination of <Nominal resistance values> (Fig. 1).
- ※ Verify the above part numbers when placing orders.
- ※ Taping specification is not sold separately and must be purchased in reel units.

ELECTRICAL CHARACTERISTICS

| | |
|---------------------------|---|
| Nominal resistance range | 10 Ω ~ 2 MΩ |
| Resistance tolerance | ± 10 % |
| Power ratings | 0.25 W (85 °C) 0 W (150 °C) |
| Resistance law | Linear law(B) |
| Maximum input voltage | DC300 V or power rating, whichever is smaller |
| Maximum wiper current | 100 mA or power rating, whichever is smaller |
| Effective electrical turn | 11 turns (SM-42), 5 turns (SM-43) |
| End resistance | 1 % or 2 Ω, whichever is greater |
| C.R.V. | 1 % or 3 Ω, whichever is greater |
| Operating temp. range | - 65 ~ 150 °C |
| Temp. coefficient | ± 100 10 ⁻⁶ /°C maximum |
| Insulation resistance | 100 MΩ minimum (DC500 V) |
| Dielectric strength | AC600 V, 60 s |
| Net weight | Approx. 0.17 g |

◁Reflow profile for soldering heat evaluation▷



MECHANICAL CHARACTERISTICS

| | |
|-------------------|--------------------------------------|
| Operating torque | 17.6 mN·m {180 gf·cm} maximum |
| Mechanical stop | Clutch action |
| Rotational life | 200 cycles [Δ R/R ≤ ± (3 Ω + 3 %)] |
| Thrust to shaft | 5 N {0.51 kgf} minimum |
| Solderability | 245 ± 3 °C, 2 ~ 3 s |
| Shear (Adhesion) | 5 N {0.51 kgf} 10 s |
| Substrate bending | Width 90 mm, bend 3 mm, 5 s, 1 time |
| Pull-off strength | 5 N {0.51 kgf} 10 s |

{ } : Reference only

ENVIRONMENTAL CHARACTERISTICS

| Test item | Test conditions | Specifications |
|---------------------|--|--|
| Thermal shock | - 65 ~ 150 °C (0.5 h), 5 cycles | [Δ R/R ≤ 2 %] [S.S. ≤ 1 %] |
| Humidity | - 10 ~ 65 °C (Relative humidity 80 ~ 98 %), 10 cycles, 240 h | [Δ R/R ≤ 2 %] |
| Shock | 981 m/s ² , 6 ms 6 directions for 3 times each | [Δ R/R ≤ 1 %] [S.S. ≤ 1 %] |
| Vibration | Amplitude 1.52 mm or Acceleration 196 m/s ² , 10 ~ 2000 Hz, 3 directions, 12 times each | |
| Load life | 85 °C, 0.25 W, 1000 h | [Δ R/R ≤ 3 % or 3 Ω] [S.S. ≤ 2 %] |
| Low temp. operation | - 65 °C, 2 h | [Δ R/R ≤ 1 %] [S.S. ≤ 1 %] |
| High temp. exposure | 150 °C, 250 h | [Δ R/R ≤ 2 %] [S.S. ≤ 1 %] |
| Immersion seal | 85 °C, 60 s | No leaks (No continuous bubbles) |
| Soldering heat | Reflow : Peak temperature 255 °C (Please refer to the profile below.) Manual soldering : 350 ± 10 °C, 3 ~ 4 s | [Δ R/R ≤ 1 %] |

Δ R/R : Change in total resistance
S.S. : Setting stability

SM-42/43

SURFACE MOUNT TRIMMERS

MAXIMUM INPUT RATINGS

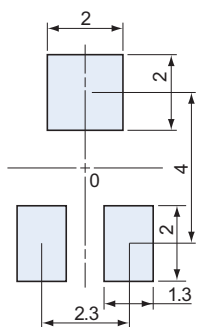
| Nominal resistance values (Ω) | Resistance code | Maximum input voltage (V) | Maximum wiper current (mA) |
|-------------------------------|-----------------|---------------------------|----------------------------|
| ⊖ 10 | 100 | 1.00 | 100 |
| ⊖ 20 | 200 | 2.00 | 100 |
| 50 | 500 | 3.53 | 70.7 |
| 100 | 101 | 5.00 | 50.0 |
| 200 | 201 | 7.07 | 35.4 |
| 500 | 501 | 11.2 | 22.4 |
| 1 k | 102 | 15.8 | 15.8 |
| 2 k | 202 | 22.4 | 11.2 |
| 5 k | 502 | 35.4 | 7.07 |
| 10 k | 103 | 50.0 | 5.00 |
| 20 k | 203 | 70.7 | 3.54 |
| 50 k | 503 | 112 | 2.24 |
| 100 k | 104 | 158 | 1.58 |
| 200 k | 204 | 223 | 1.12 |
| 500 k | 504 | 300 | 0.60 |
| 1 M | 105 | 300 | 0.30 |
| 2 M | 205 | 300 | 0.15 |

The products indicated by ⊖ mark are manufactured upon receipt of order basis.

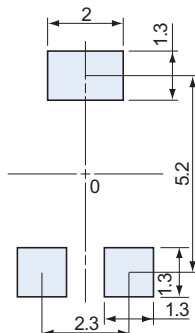
RECOMMENDED P.C.B. PAD OUTLINE DIMENSIONS

(Unit: mm)

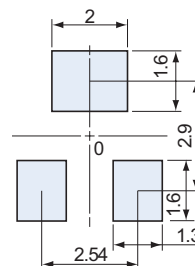
SM-42/43A



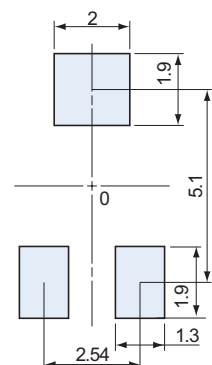
SM-42/43B



SM-42/43W



SM-42/43X



Note) The zero point is the center of mounting.

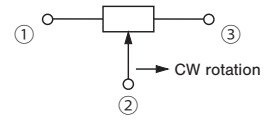
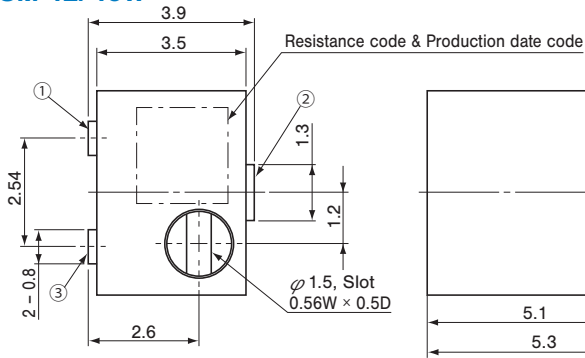
SM-42/43

SURFACE MOUNT TRIMMERS

OUTLINE DIMENSIONS

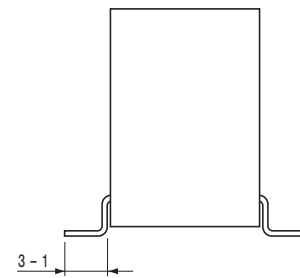
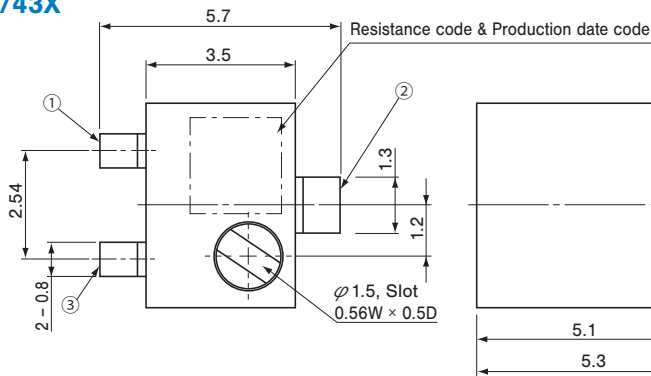
Unless otherwise specified, tolerance : ± 0.3 (Unit : mm)

SM-42/43W

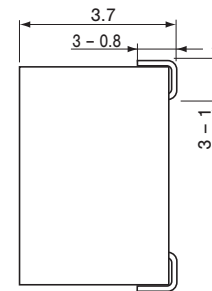
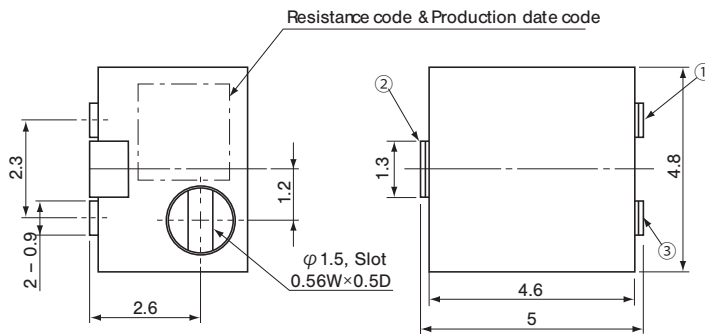


※ Note the terminal position.

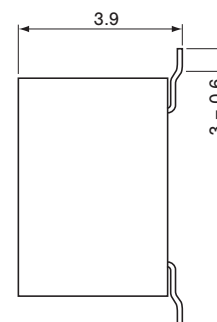
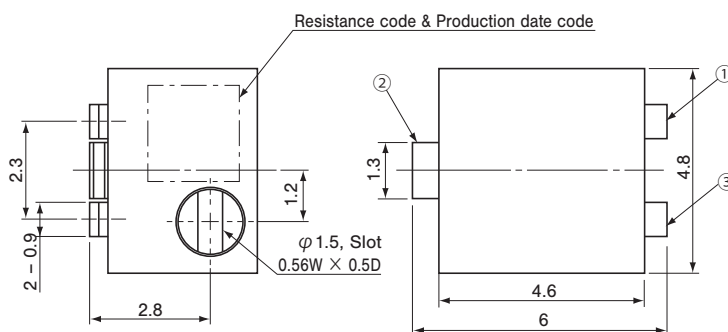
SM-42/43X



SM-42/43A





SM-42/43B



Looking for pricing, stock, or lifecycle information?

Click below to explore more details on WIN SOURCE:

-  [View SM-43TW503 on WIN SOURCE](#)
-  [Nidec Copal Electronics Information](#)

Optimize Your Supply Chain with WIN SOURCE Solutions

-  Global Sourcing Solution
-  Obsolete Management
-  Cost Control Management
-  Shortage Management
-  Alternative Solution
-  Excess Inventory Management