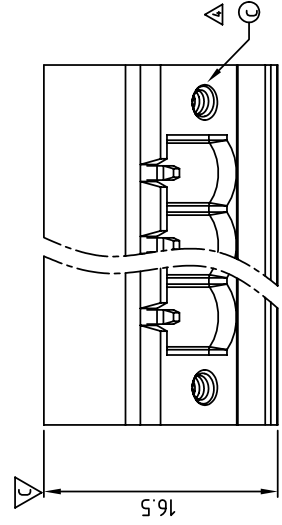




**THE DATASHEET OF  
VK035250000G**



5  
4  
3  
2  
1



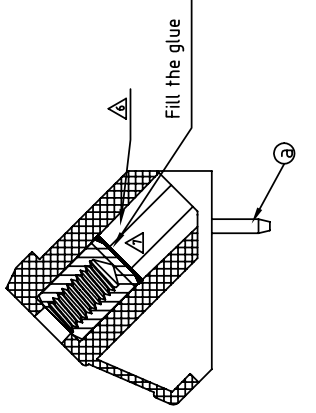
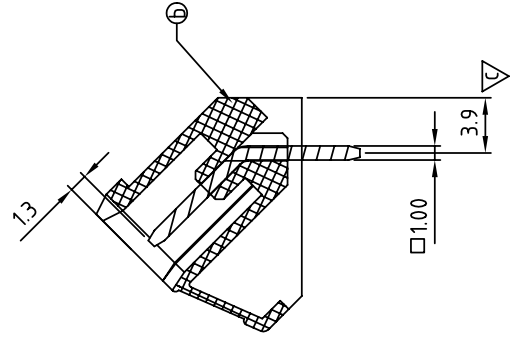
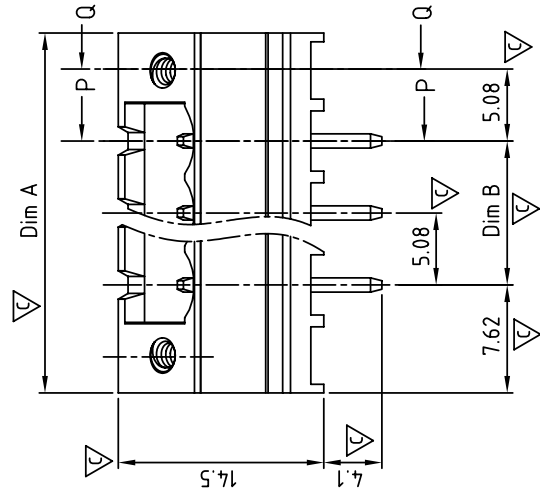
DimA=(N+2)×5.08  
DimB=(N-1)×5.08  
N=NUMBER OF POLES

POLES	TOL
2p-6p	+0.15/-0.15
7p-12p	+0.20/-0.20
13p-18p	+0.30/-0.30
19p-24p	+0.40/-0.40

SIGN	DATE
△	8/07'06
△	1/27'07
△	6/19'08
△	10/27'09
△	12/29'10
△	12/29'10
△	4/28'12
THIS	

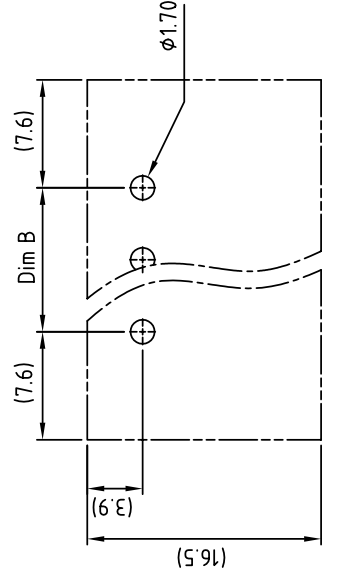
Material:

- △ Item
- Item
- Item
- Item
- △ Elect
- Volt
- Curr
- With
- Oper
- △ Oper
- △ Sold
- Safe
- Critic



SECTION Q-Q

No. OF POLES -  
02: 2 POLES  
:  
:  
24: 24 POLES





RECOMMENDED PCB LAYOUT

ANYT	TITLE	VK-5.08 Series Wi	
	PART NO.	VKxx52x0xxxxG	
	APPROVED	CHECKED	DESIGN
			Guo 2012

5  
4  
3  
2  
1

## Looking for pricing, stock, or lifecycle information?

Click below to explore more details on WIN SOURCE:

-  [View VK035250000G on WIN SOURCE](#)
-  [Amphenol Anytek Information](#)

## Optimize Your Supply Chain with WIN SOURCE Solutions

-  Global Sourcing Solution
-  Obsolete Management
-  Cost Control Management
-  Shortage Management
-  Alternative Solution
-  Excess Inventory Management