



THE DATASHEET OF AWM-8S



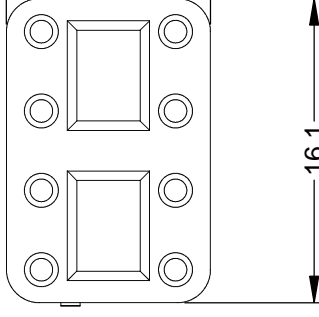
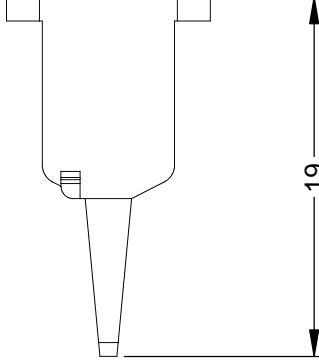
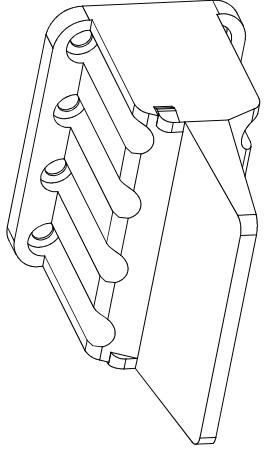
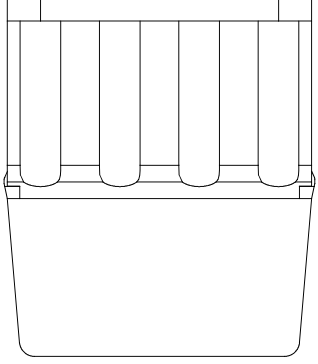
REVISION

DESCRIPTION

REV ECO

A3

RELEASE NEW DWG FORM A



NOTES: UNLESS OTHERWISE SPECIFIED

1. MATERIAL: THERMOPLASTIC; COLOR: ORANGE


2. RoHS COMPLIANT

3. CAVITIES: 8

4. KEYED: N/A

5. USE WITH CONNECTORS: ATM06-08S*
(* = MODIFICATIONS AND COLORS)

6. ALL DIMENSIONS ARE FOR REFERENCE USE ONLY.

AWM-8S		PART NUMBER		AWM-8S	
QUANTITY		SIGNATURES		DATE	
UNLESS OTHERWISE SPECIFIED		DRAWN: D.PARKS		24/JUL/13	
1) All dimensions are in metric (mm).		CHECKED:			
2) Tolerances are as follows:		ENGINEER:			
1 PL DEC ±0.30 Fractions ±1/64		APPROVAL:			
2 PL DEC ±0.15 Angles ±1°		CUSTOMER:			
3 PL DEC ±0.08					
3) Note reference = 					
MATERIAL SPECIFICATIONS:				S-WEDGELOCK	
PROCESS SPECIFICATIONS:				SIZE TYPE	
NEXT ASSY:				A C-	
				SCALE: NONE	

AWM-8S

PART NUMBER

DE

MATERIALS LIST

SIGNATURES		DATE	
DRAWN: D.PARKS		24/JUL/13	
CHECKED:			
ENGINEER:			
APPROVAL:			
CUSTOMER:			

UNLESS OTHERWISE SPECIFIED


1) All dimensions are in metric (mm).

2) Tolerances are as follows:

1 PL DEC ±0.30 Fractions ±1/64

2 PL DEC ±0.15 Angles ±1°

3 PL DEC ±0.08

3) Note reference = 

MATERIAL SPECIFICATIONS:

5. USE WITH CONNECTORS: ATM06-08S*
(* = MODIFICATIONS AND COLORS)

6. ALL DIMENSIONS ARE FOR REFERENCE USE ONLY.

Looking for pricing, stock, or lifecycle information?

Click below to explore more details on WIN SOURCE:

- ⊖ [View AWM-8S on WIN SOURCE](#)
- ⊖ [Amphenol Sine Systems Corp Information](#)

Optimize Your Supply Chain with WIN SOURCE Solutions

- ✓ Global Sourcing Solution
- ✓ Obsolete Management
- ✓ Cost Control Management
- ✓ Shortage Management
- ✓ Alternative Solution
- ✓ Excess Inventory Management