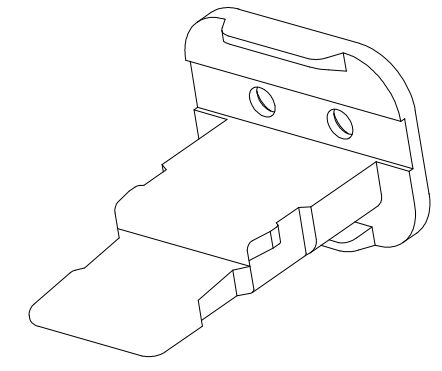
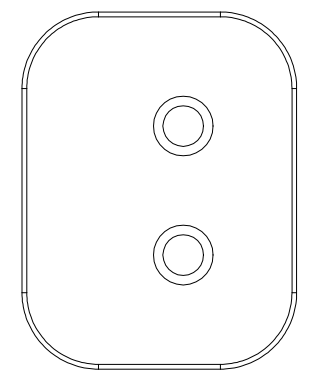
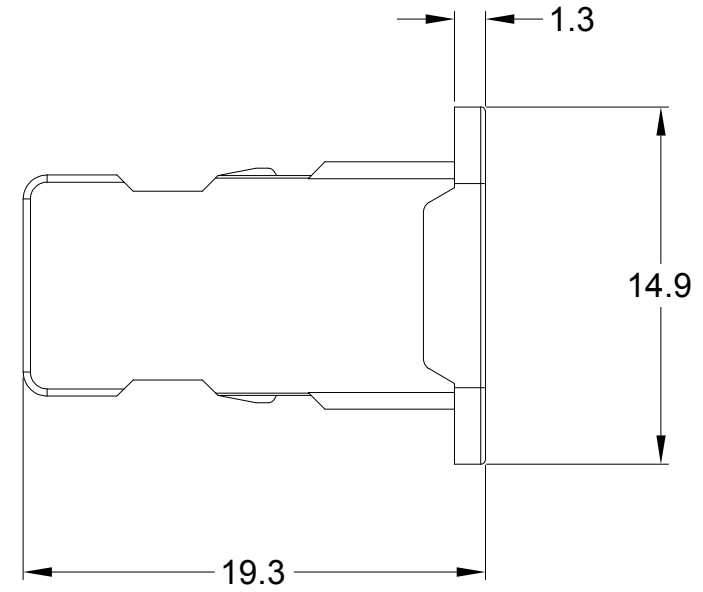
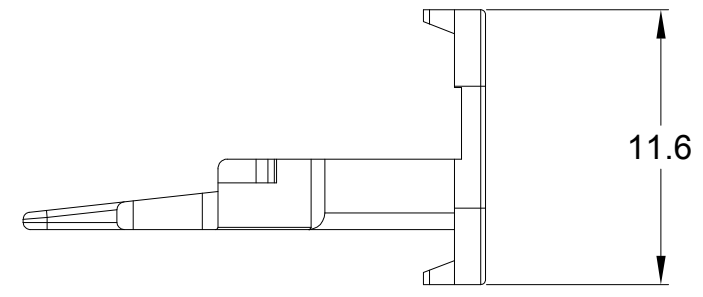





REVISIONS					
REV	ECO	DESCRIPTION	DATE	BY	APPR
A3	--	RELEASE NEW DWG FORMAT	18/SEP/13	DRP	
A4	--	UPDATE DRAWING	10/MAY/19	JOE	TOMMY



**NOTES: UNLESS OTHERWISE SPECIFIED**

- 1. MATERIAL: THERMOPLASTIC;  
STANDARD COLOR: GREEN  
OPTIONAL COLOR: ORANGE ( P/N: AW2S-ORG )
- 2. RoHS COMPLIANT
- 3. CAVITIES: 2
- 4. KEYED: N/A
- 5. USE WITH CONNECTORS AT06-2S\*  
(\* = MODIFICATIONS AND/OR COLORS )
- 6. ALL DIMENSIONS ARE FOR REFERENCE USE ONLY.

QUANTITY	PART NUMBER	DESCRIPTION	ITEM
	AW2S		
<b>MATERIALS LIST</b>			
<b>UNLESS OTHERWISE SPECIFIED</b> 1) All dimensions are in metric(mm). 2) Tolerances are as follows: 1 PL DEC ±0.30 2 PL DEC ±0.15 3 PL DEC ±0.08 3) Note reference = 		<b>SIGNATURES</b> DRAWN: JOE CHECKED: ORION ENGINEER: APPROVAL: TOMMY CUSTOMER:	<b>DATE</b> 10/MAY/19 10/MAY/19 10/MAY/19
MATERIAL SPECIFICATIONS:		<div style="text-align: center;"> <h1>Amphenol</h1> <p>Sine Systems - www.amphenol-sine.com            44724 Morley Drive            Clinton Township, MI 48036</p> </div> <p style="text-align: center;">S-WEDGELOCK, 2 POSITION, AT SERIES</p>	
PROCESS SPECIFICATIONS:			
NEXT ASSY:			
THIS DRAWING IS SUPPLIED FOR INFORMATION ONLY. DESIGN FEATURES, SPECIFICATIONS AND PERFORMANCE DATA SHOWN HEREON ARE THE PROPERTY OF THE AMPHENOL CORPORATION. NO RIGHTS OF REPRODUCTION ARE IMPLIED. ALL DIMENSIONS ARE SUBJECT TO NORMAL MANUFACTURING VARIATIONS.		<b>SIZE</b> <b>A</b>	<b>TYPE</b> <b>C-</b>
		<b>DWG NO:</b> <b>AW2S</b>	<b>REVISION</b> <b>A4</b>
		<b>SCALE:</b> NONE	<b>SHEET</b> 1 <b>OF</b> 1

## Looking for pricing, stock, or lifecycle information?

Click below to explore more details on WIN SOURCE:

- ⊖ [View AW2S on WIN SOURCE](#)
- ⊖ [Amphenol Sine Systems Corp Information](#)

## Optimize Your Supply Chain with WIN SOURCE Solutions

- ✓ Global Sourcing Solution
- ✓ Obsolete Management
- ✓ Cost Control Management
- ✓ Shortage Management
- ✓ Alternative Solution
- ✓ Excess Inventory Management