

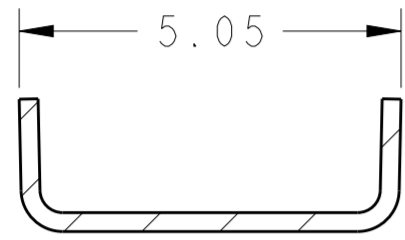


**THE DATASHEET OF**  
**1971788-1**

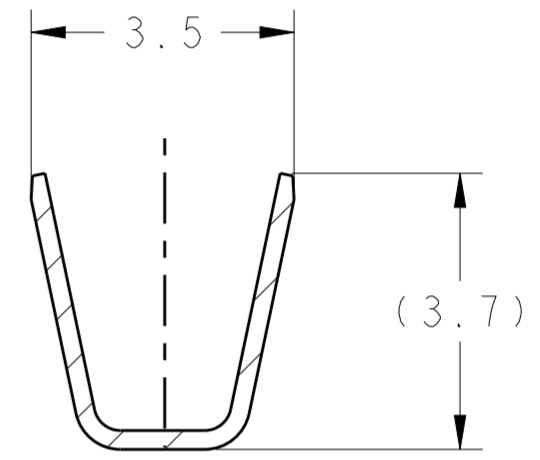
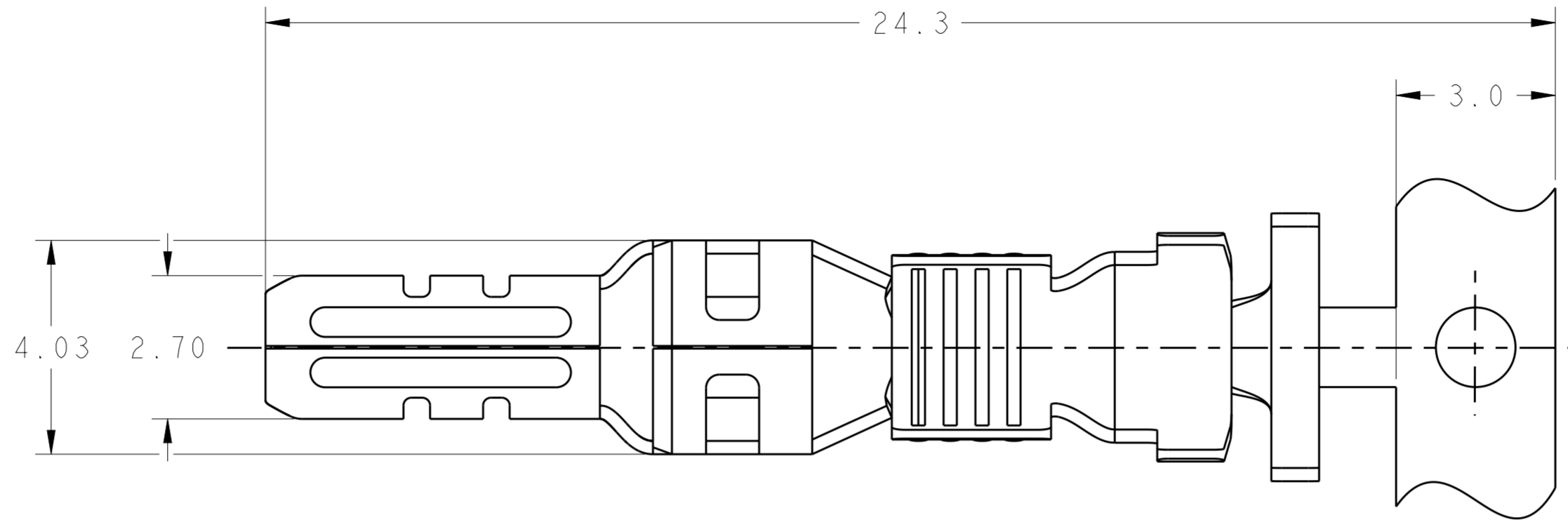


THIS DRAWING IS UNPUBLISHED. RELEASED FOR PUBLICATION 20  
 © COPYRIGHT 20 BY - ALL RIGHTS RESERVED.

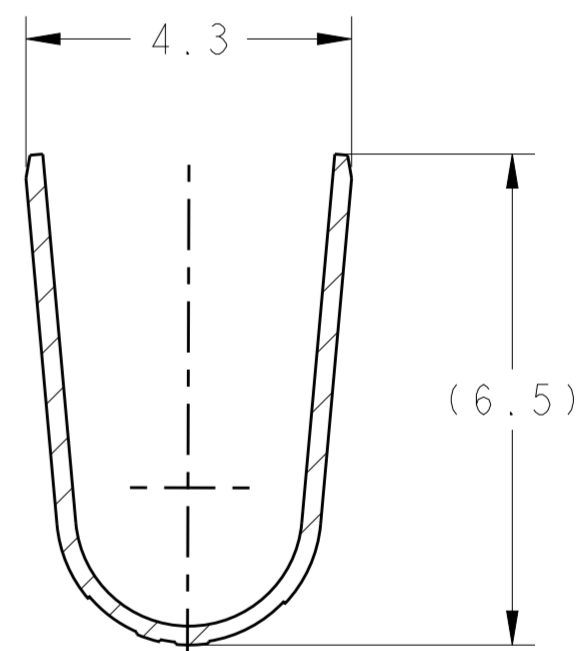
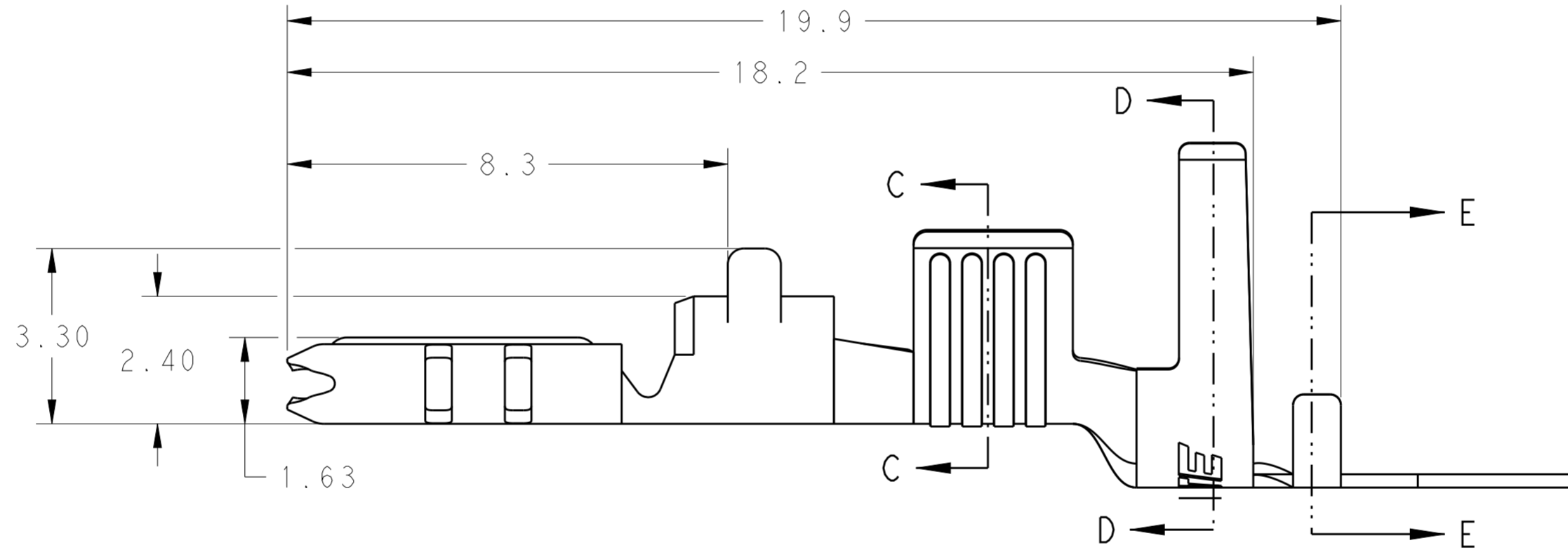
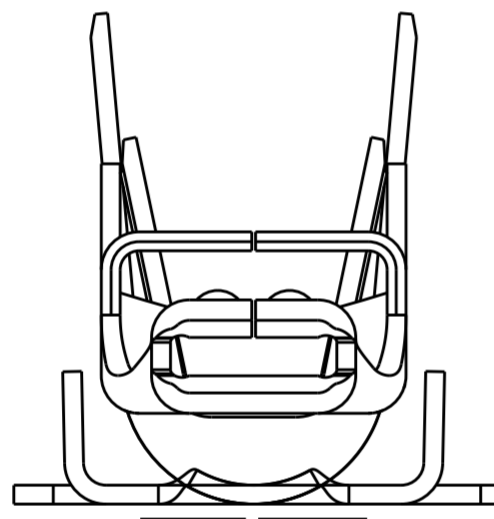
LOC		DIST		REVISIONS			
P	LTR	DESCRIPTION	DATE	DWN	APVD		
	D2	REVISED PER ECR-16-017426	19DEC2016	BW	RS		



SECTION E-E

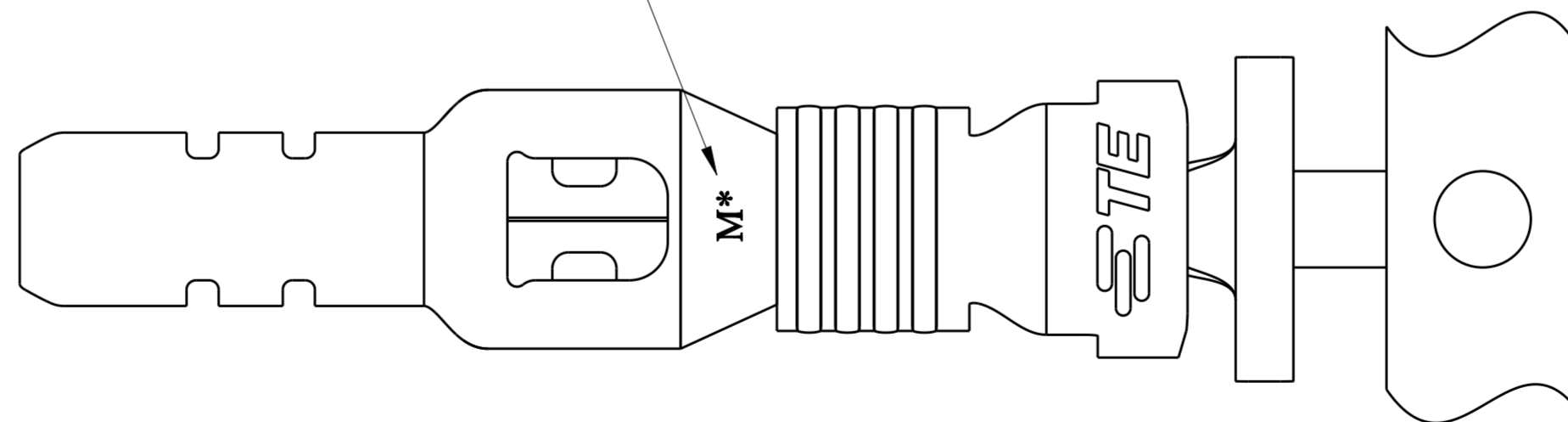


SECTION C-C



SECTION D-D

MATERIAL MARK



- 1 MATERIAL: COPPER ALLOY, PRE TIN PLATING
- 2 APPLICABLE WIRE 2X18AWG COPPER
- 3 APPLICABLE INSULATION DIAMETER: 2.65~2.95mm
- 4 APPLICABLE MATED CAP HOUSING P/N:  
 \*-1971771-\*/\*-1971774-\*/\*-1971874-\*/  
 \*-1971772-\*/\*-1971775-\*/\*-1971875-\*/  
 \*-2232263-\*/\*-2232264-\*/\*-2232356-\*/  
 \*-2232358-\*/\*-2232359-\*/\*-2232360-\*

HIGH(150°C)	M0	1971788-2
STANDARD(105°C)	M4	1971788-1
TEMP. RATING	MATERIAL MARK	PART NO

5. This product has not completed validation testing.

THIS DRAWING IS A CONTROLLED DOCUMENT.		DWN TOMMY WU 11JUL2012	<b>STE</b> TE Connectivity	
		CHK HAPYE WU 11JUL2012		
		APVD YUJHONG MAO 11JUL2012	NAME	
DIMENSIONS: mm		PRODUCT SPEC 108-106118	TAB CONTACT POWER TRIPLE LOCK	
TOLERANCES UNLESS OTHERWISE SPECIFIED:		APPLICATION SPEC 114-106118	SIZE CAGE CODE DRAWING NO RESTRICTED TO	
0 PLC ±-		WEIGHT -	A200779 C-1971788	
1 PLC ±0.5		Customer Drawing		
2 PLC ±0.30		SCALE 5:1 SHEET 1 OF 1 REV D2		
3 PLC ±				
4 PLC ±				
ANGLES ±-				
FINISH				

## Looking for pricing, stock, or lifecycle information?

Click below to explore more details on WIN SOURCE:

 [View 1971788-1](#) on WIN SOURCE

 [TE Connectivity](#) Information

## Optimize Your Supply Chain with WIN SOURCE Solutions

-  Global Sourcing Solution
-  Obsolete Management
-  Cost Control Management
-  Shortage Management
-  Alternative Solution
-  Excess Inventory Management