



THE DATASHEET OF
2129583-1

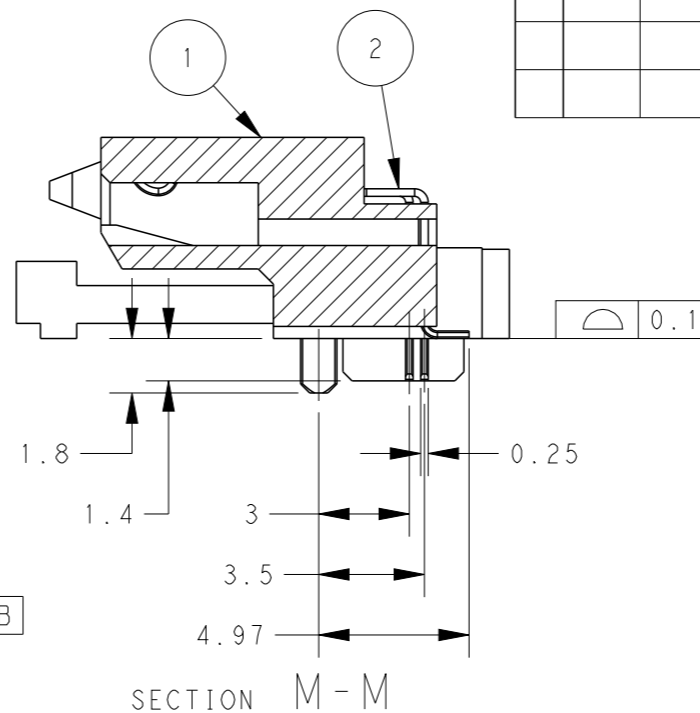
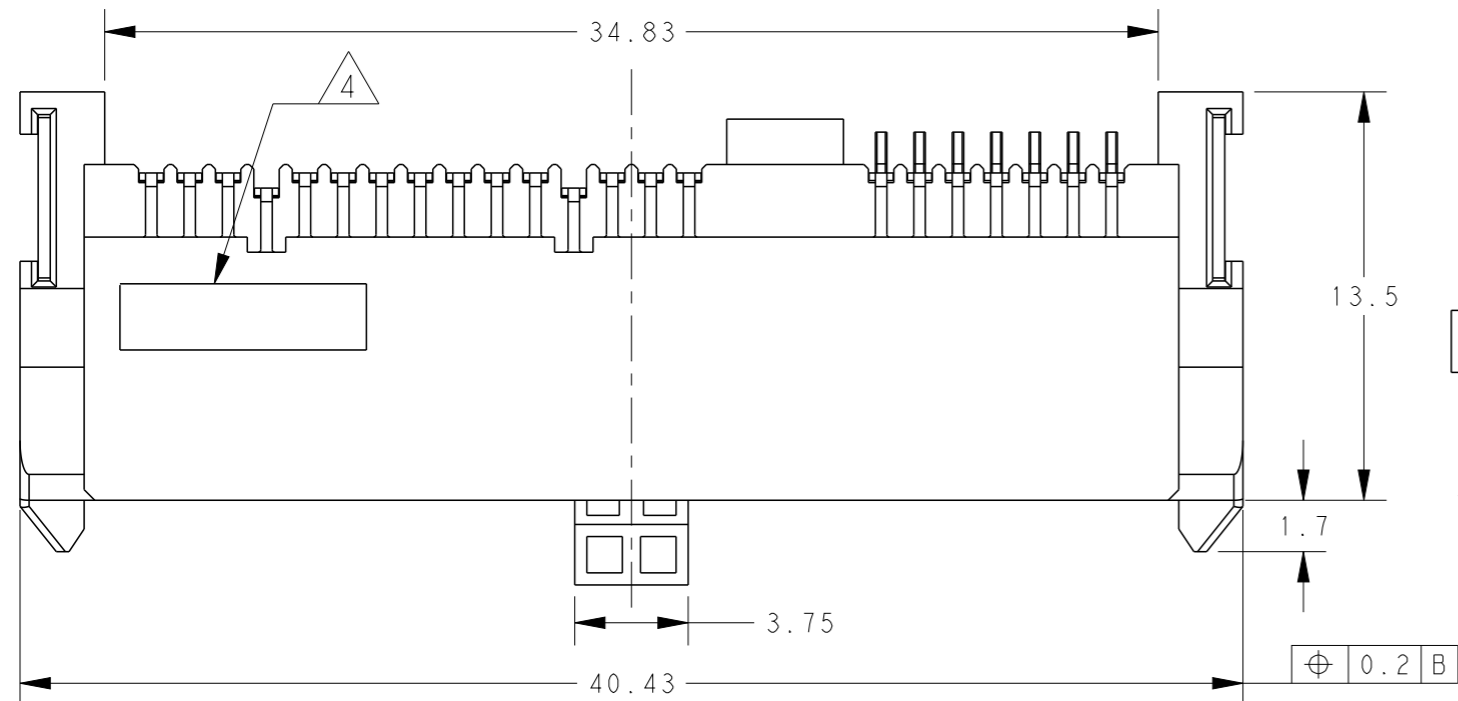


LOC	DIST
DW	

REVISIONS

P	LTR	DESCRIPTION	DATE	DWN	APVD
	A	RELEASED	11OCT2013	W.C	V.P

2129583-1: AS SHOWN

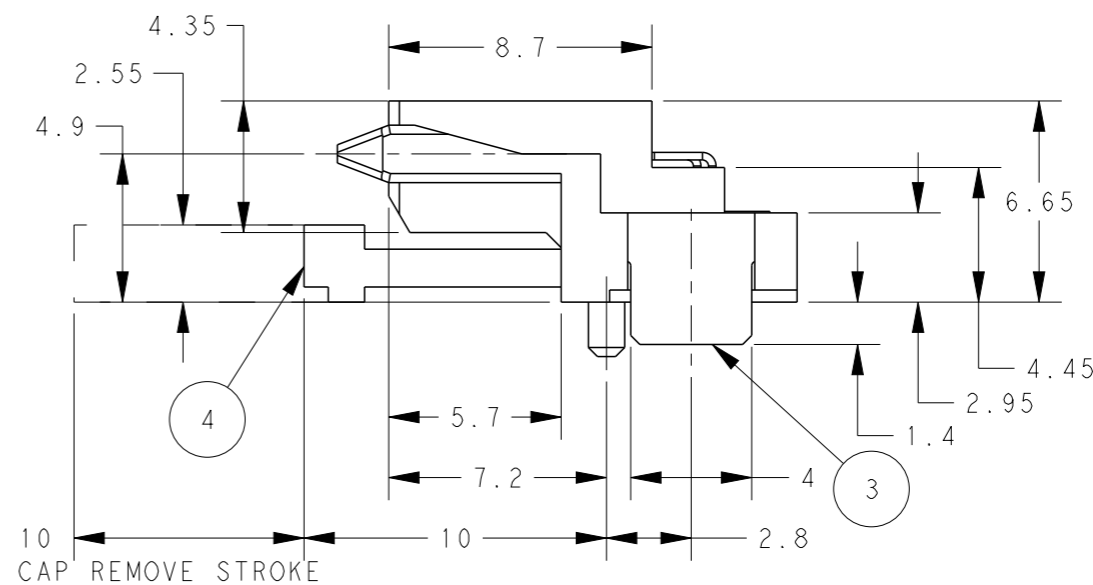
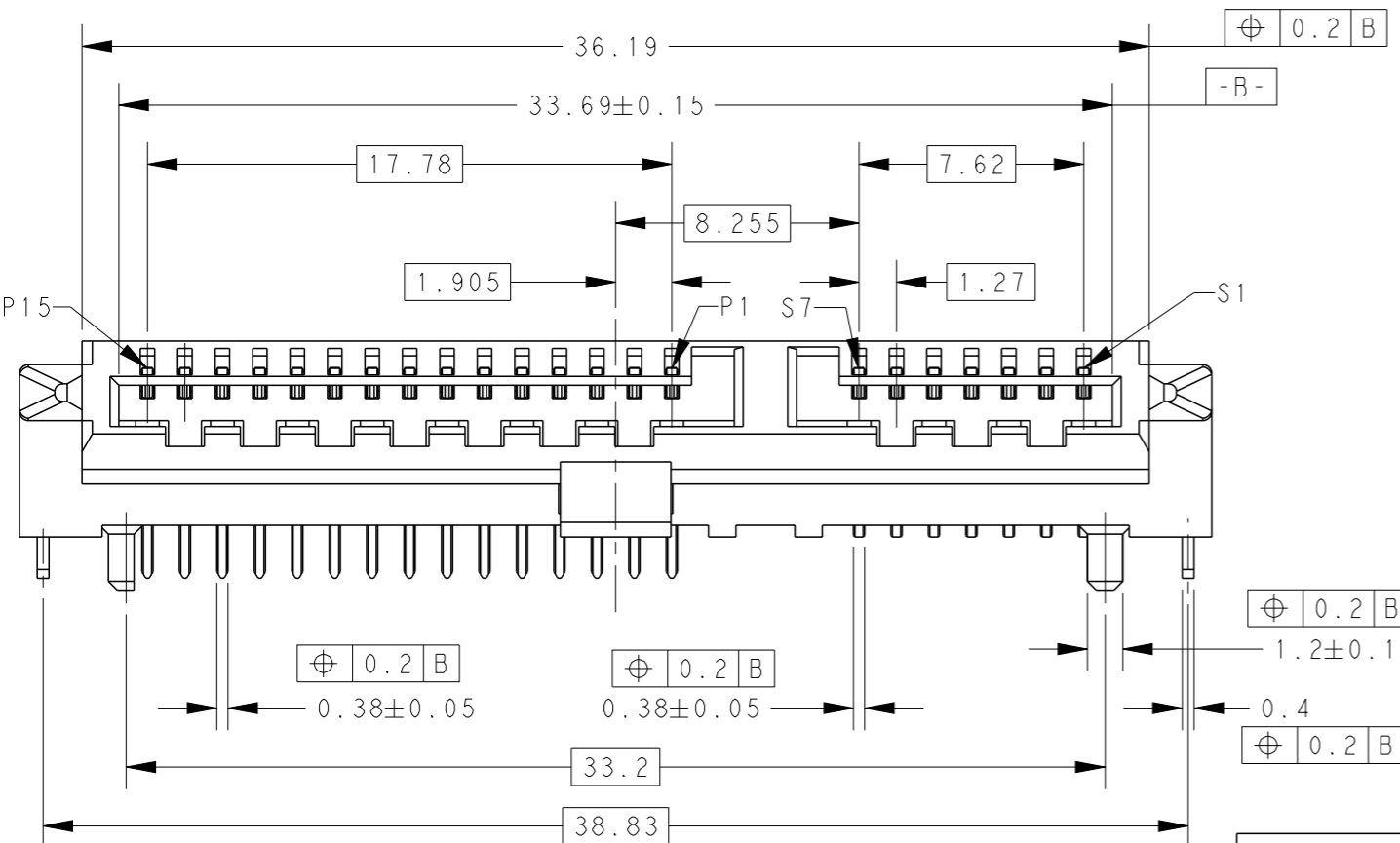


- MATERIAL
 - ① HOUSING: HIGH TEMPERATURE THERMOPLASTIC UL94V-0, COLOR: BLACK
 - ② CONTACT: COPPER ALLOY
 - ③ LEG: COPPER ALLOY
 - ④ CAP: HIGH TEMPERATURE THERMOPLASTIC UL94V-0, COLOR: BLACK

- FINISH:
 - CONTACT: CONTACT AREA: AU PLATING 0.127um WITH LUBRICANT HM-15
 - SOLDER TAILS: MATTE-TIN PLATING 2.5um. NICKEL UNDER PLATING 1.3um OVER ALL.
 - SOLDER LEG: MATTE-TIN PLATING 2.5um NICKEL UNDER PLATING 1.3um OVER ALL.

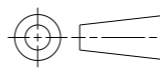
- MEET HALOGEN FREE REQUIREMENT:
 - Cl: 900 ppm MAX.
 - Br: 900 ppm MAX.

▲ DATE CODE
 WW YY D S
 └──┬──┬──┬──
 ASSY MECHINE ID
 DAY OF WEEK
 WEEK OF YEAR
 THE LAST DIGITS OF YEAR



THIS DRAWING IS A CONTROLLED DOCUMENT.

DIMENSIONS: mm



TOLERANCES UNLESS OTHERWISE SPECIFIED:

0 PLC	±0.2
1 PLC	±0.2
2 PLC	±0.2
3 PLC	±0.2
4 PLC	±0.2
ANGLES	±5

MATERIAL

FINISH

DWN W. CHEN 27NOV2012

CHK H. KODAMA 27NOV2012

APVD H. KODAMA 27NOV2012

PRODUCT SPEC 108-99048

APPLICATION SPEC 501-99048

WEIGHT

CUSTOMER DRAWING



NAME
 REC. ASSEMBLY
 SLANT INSERTION SATA H4.9
 6.0 GBPS

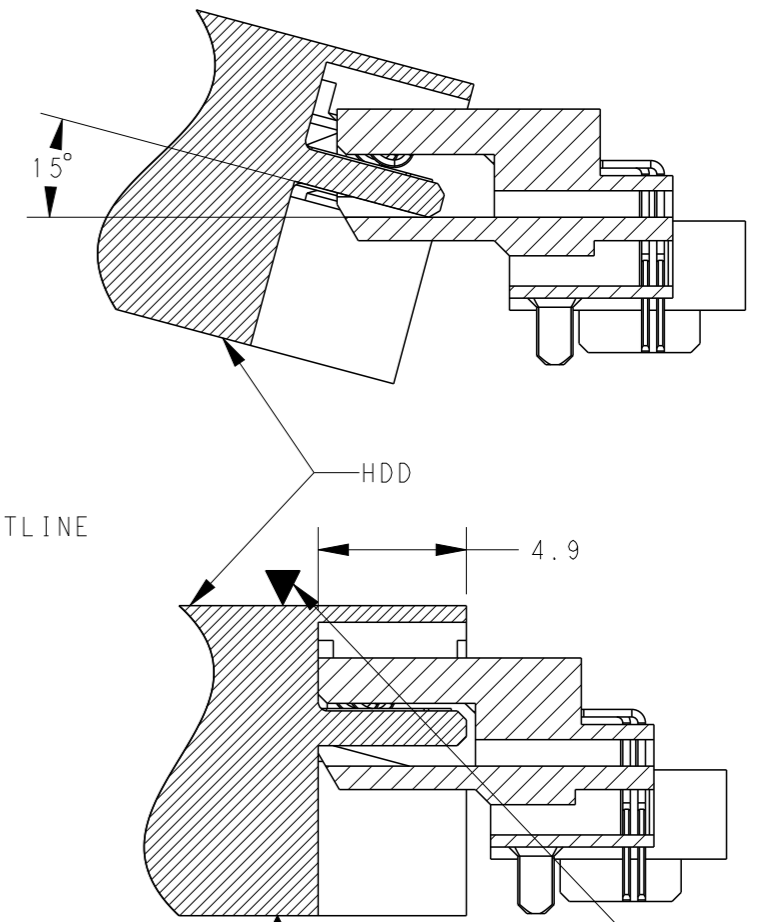
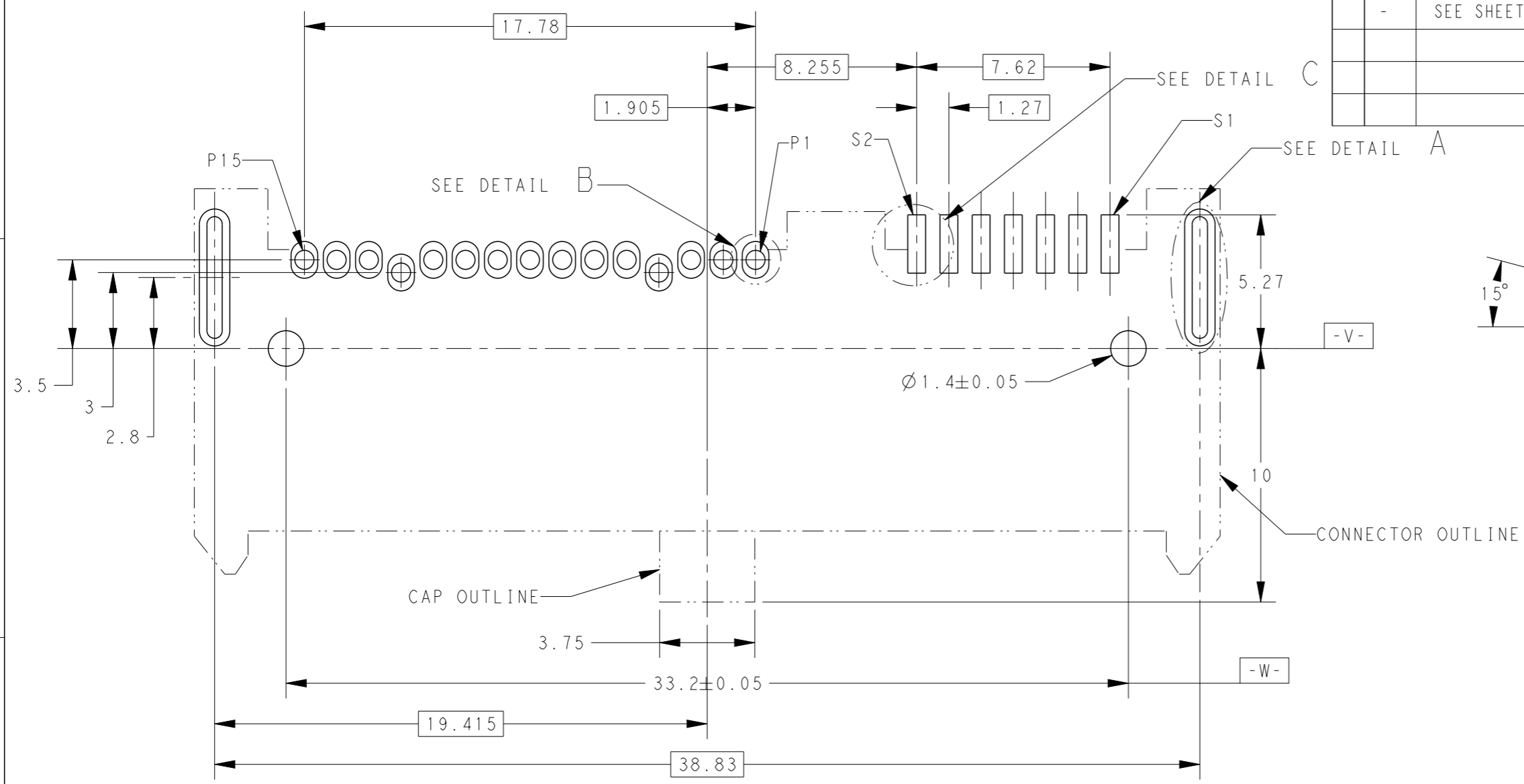
SIZE	CAGE CODE	DRAWING NO	RESTRICTED TO
------	-----------	------------	---------------

A3	00779	C-2129583
----	-------	-----------

SCALE	SHEET	OF	REV
4:1	1	3	A

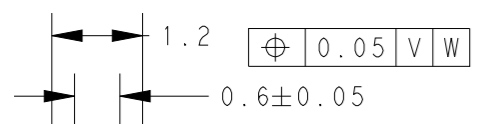
THIS DRAWING IS UNPUBLISHED. RELEASED FOR PUBLICATION 20
 © COPYRIGHT 20 BY - ALL RIGHTS RESERVED.

LOC	DIST	REVISIONS			
P	LTR	DESCRIPTION	DATE	DWN	APVD
DW	-	SEE SHEET 1	-	-	-

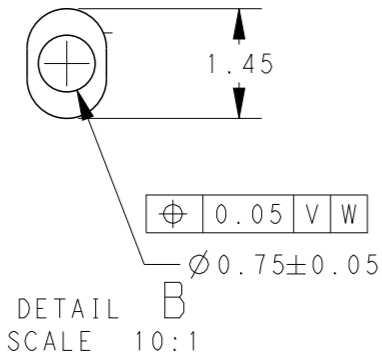


SUGGEST TO ADD SUPPORTS ON THE HDD NEAR THE CONNECTORS

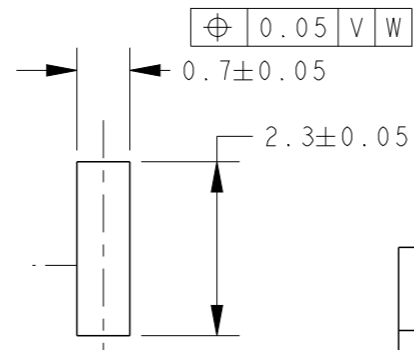
REFERENCE PCB LAYOUT (TOLERANCE ±0.05)
 REFERENCE PCB THICKNESS T=1.0
 SCALE 5:1



DETAIL A
SCALE 10:1



DETAIL B
SCALE 10:1



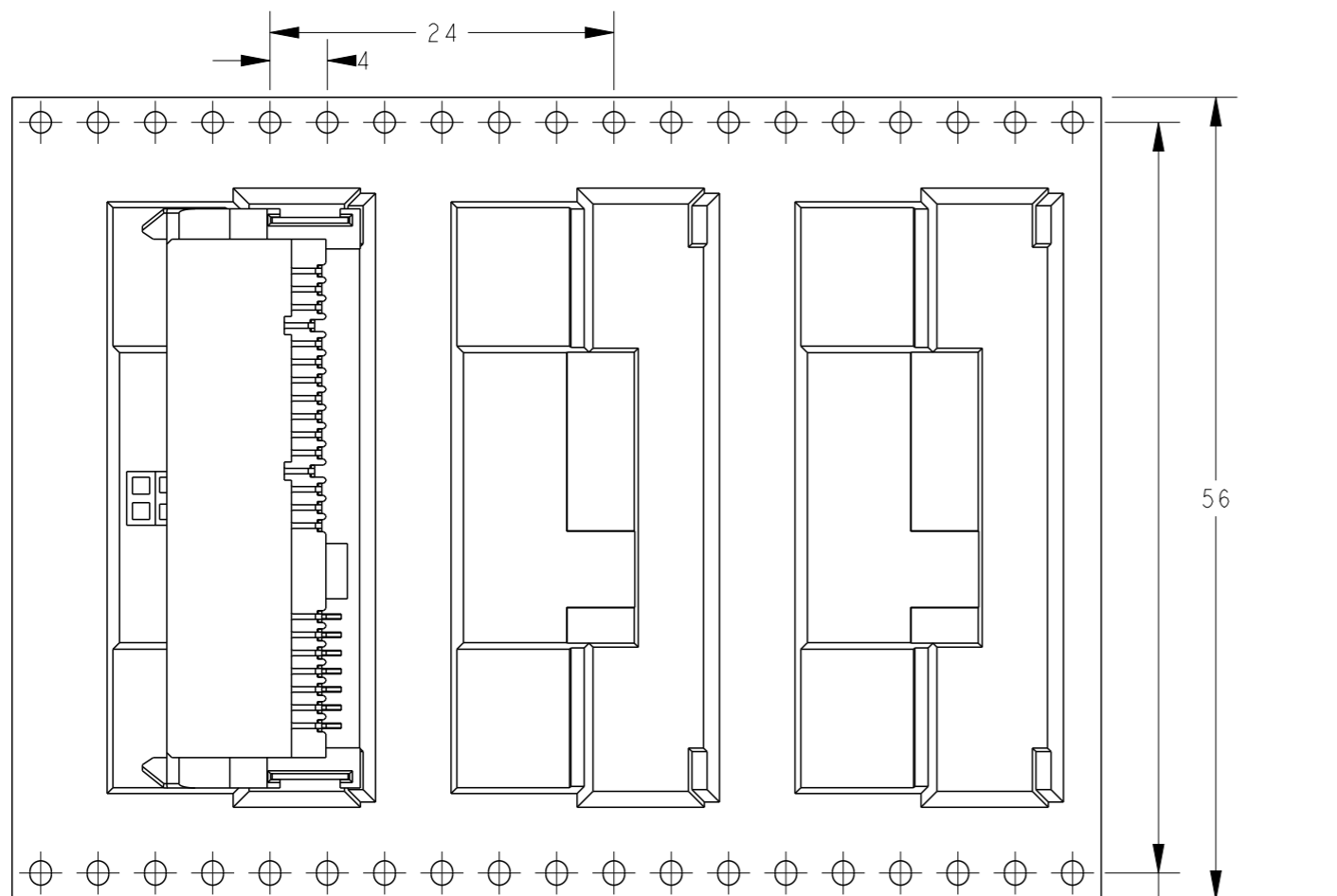
DETAIL C
SCALE 10:1

THIS DRAWING IS A CONTROLLED DOCUMENT.		DWN	-	
DIMENSIONS: mm		CHK	-	
TOLERANCES UNLESS OTHERWISE SPECIFIED:		APVD	-	
0 PLC ±0.2		PRODUCT SPEC	-	
1 PLC ±0.2		APPLICATION SPEC	-	
2 PLC ±0.2		WEIGHT	-	
3 PLC ±0.2		CUSTOMER DRAWING	-	
4 PLC ±0.2		SCALE	5:1	SHEET 2 OF 3
ANGLES ±5		FINISH	-	
MATERIAL -		NAME	REC. ASSEMBLY SLANT INSERTION SATA H4.9 6.0 GBPS	
		SIZE	A3	CAGE CODE
		DRAWING NO	C-2129583	
		RESTRICTED TO	-	
		REV	A	

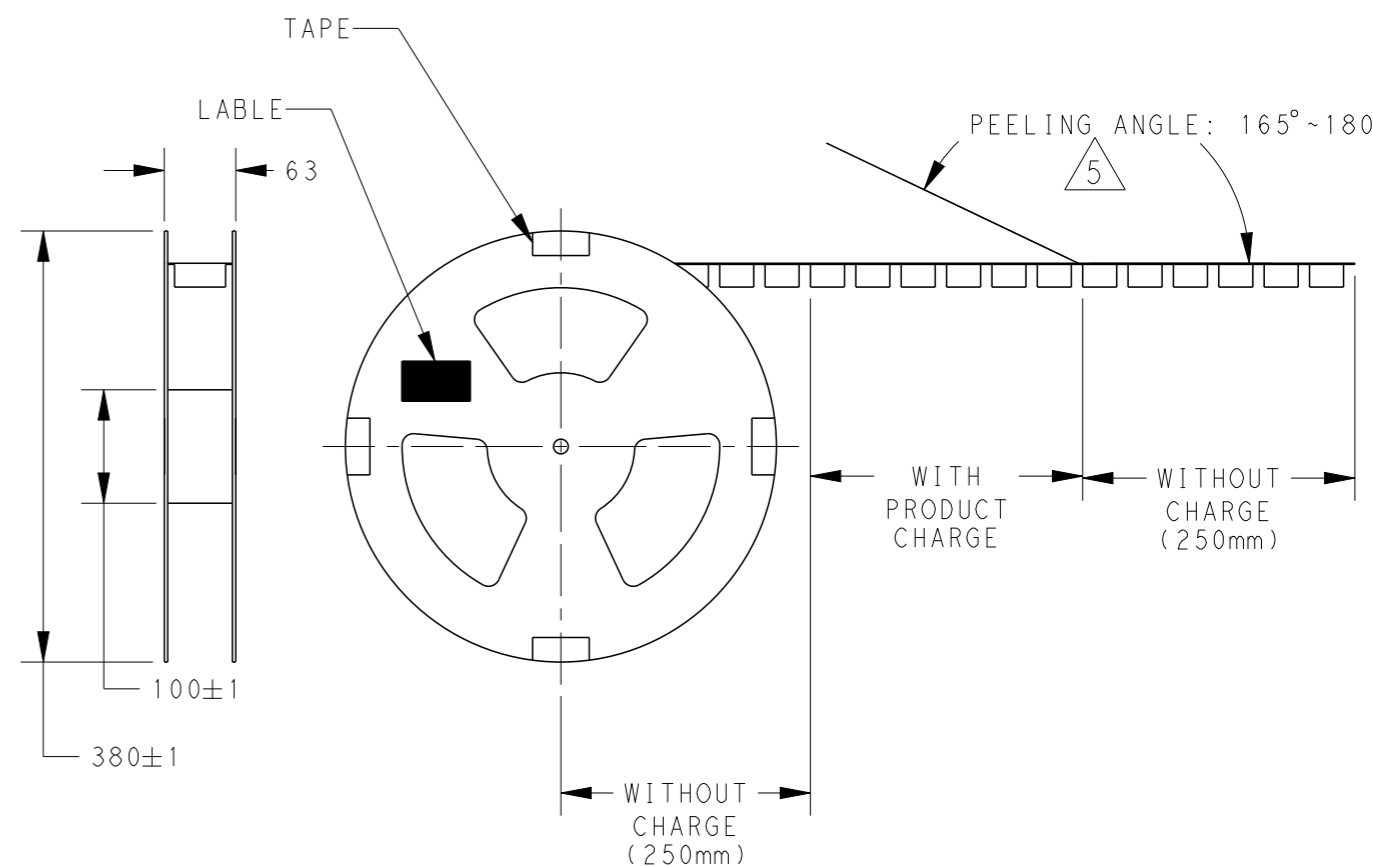
LOC DW DIST -

REVISIONS

P	LTR	DESCRIPTION	DATE	DWN	APVD
-	-	SEE SHEET 1	-	-	-



- △ PEELING STRENGTH OF COVER TAPE: 0.2N~1.2N
- 6. PACKING MATERIAL: CARRY TAPE: PS, COLOR: BLACK
COVER TAPE: PET, COLOR: CLEAR
- 7. QUANTITY: 380PCS/ REEL
1140PCS/ BOX



THIS DRAWING IS A CONTROLLED DOCUMENT.		DWN	-	STE TE Connectivity
DIMENSIONS: mm		CHK	-	
TOLERANCES UNLESS OTHERWISE SPECIFIED:		APVD	-	NAME REC. ASSEMBLY SLANT INSERTION SATA H4.9 6.0 GBPS
0 PLC ±0.2		PRODUCT SPEC	-	
1 PLC ±0.2		APPLICATION SPEC	-	SIZE
2 PLC ±0.2		WEIGHT	-	A300779
3 PLC ±0.2		CUSTOMER DRAWING	-	CAGE CODE
4 PLC ±0.2				G-2129583
ANGLES ±5				DRAWING NO
FINISH -				RESTRICTED TO
				SCALE
				NONE
				SHEET
				3 OF 3
				REV
				A

Looking for pricing, stock, or lifecycle information?

Click below to explore more details on WIN SOURCE:

 [View 2129583-1](#) on WIN SOURCE

 [TE Connectivity](#) Information

Optimize Your Supply Chain with WIN SOURCE Solutions

-  Global Sourcing Solution
-  Obsolete Management
-  Cost Control Management
-  Shortage Management
-  Alternative Solution
-  Excess Inventory Management