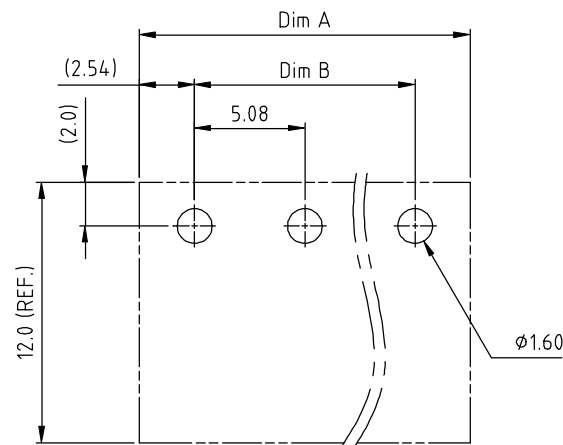
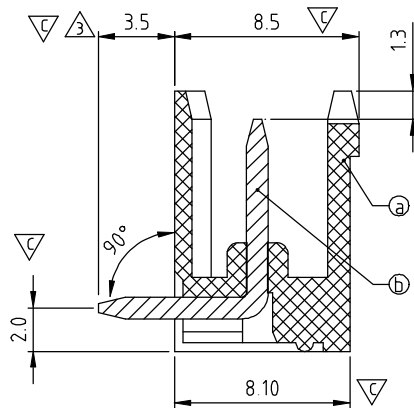
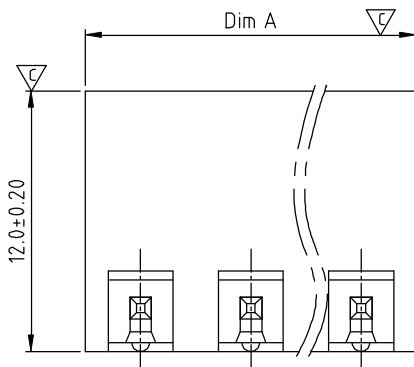
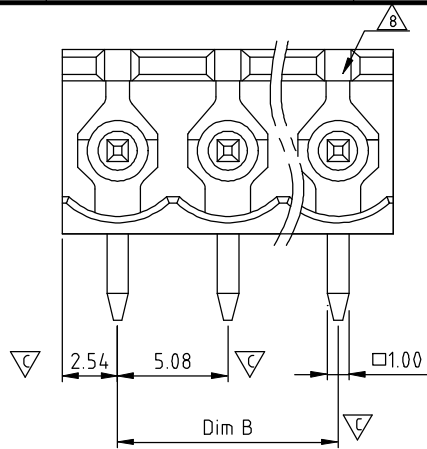




**THE DATASHEET OF  
OQ0453510000G**





RECOMMENDED PCB LAYOUT

N = Number of poles  
 Dim A = N x 5.08  
 Dim B = (N-1) x 5.08

|        | Dim A | Dim B |
|--------|-------|-------|
| 2-6p   | ±0.15 | ±0.10 |
| 7-12p  | ±0.25 | ±0.15 |
| 13-18p | ±0.30 | ±0.20 |
| 19-24p | ±0.40 | ±0.30 |

| SIGN | DATE       | DESCRIPTION                                     | APPROVER |
|------|------------|---|----------|
| △    | 8/16'06    | Added VDE and TUV standard                      | Steady   |
| △    | 8/16'06    | Current rating (cULus) changed from 10A to 20A  | Steady   |
| △    | 1/20'07    | Dimension changed from 4.0 to 3.5               | Tony     |
| △    | 1/20'07    | Soldering temperature changed from 245° to 250° | Tony     |
| △    | 2009.10.21 | The material is changed from Brass to Copper    | Jacke    |
| △    | 2009.10.21 | The operating temperature is changed            | Jacke    |
| △    | 2009.10.21 | Remove the CSA certification                    | Jacke    |
| △    | 2010.03.22 | The design is changed                           | Jacke    |
| △    | 2013.06.13 | update the drawing                              | Chen Bo  |

THIS IS CAD DRAWING, DO NOT REVISE MANUALLY!!!

Material:

- △ Item ③ Male contact pin: Copper, Tin plated
- Item ④ Terminal(housing): PBT(UL94 V-0)

- △ ① Electrical: cULus /VDE /TUV
- Voltage rating: 300V/300V/300V
- △ ② ● Current rating: 20A/20A/20A
- Withstanding Voltage: 1.6 KV/2.5KV/2.5KV
- △ ⑥ ● Operating temperature: -40°C to +115°C
- △ ④ ● Soldering temperature: 260°C±5°C/5 Sec
- Safety Approval:
- Critical dimension: ▽

OQ xx 5 3 x 1xxxx G

No. OF POLES  
 02: 2 POLES  
 :  
 24: 24 POLES

COLOR

- 0 Black (RAL9005)
- 2 Red (RAL3001/D)
- 3 Orange(RAL2011/P)
- 4 Yellow(RAL1018/A)
- 5 Green(RAL6018/T)
- 6 Blue (RAL5015/A)
- 8 Grey(RAL7035/D)
- 9 White(RAL1102)
- C Green(RAL6018/U)

G RoHS compliant (lead=4%)  
 In copper Alloy  
 0000: "@ " Logo (Standard)  
 000A: "ANYTEK" Mark  
 Any special item by customer request. please contact sales department.

|   |  |                                   |                     |                      |         |            |         |
|---|--|-----------------------------------|---------------------|----------------------|---------|------------|---------|
| <b>ANYTEK</b>   |  |                                   |                     | <b>CUSTOMER COPY</b> |         |            |         |
| ALL RIGHTS RESERVED. REPRODUCTION OR ISSUE TO THIRD PARTIES IN ANY FORM WHATSOEVER IS NOT PERMITTED WITHOUT WRITTEN AUTHORITY FROM THE PROPRIETOR. PROPERTY OF ANYTEK TECHNOLOGY CO., LTD |  |                                   |                     |                      |         |            |         |
| TITLE   |  | OQ 5.08mm 90° /Open Series 2p-24p |                     |                      |         |            |         |
| PART NO.  |  | OQxx53x1xxxxG                     |                     |                      | DWG NO. |            | 80Q0702 |
| APPROVED  |  | DESIGNED                          | DRAWN               | CUST NO.             |         | Tolerance  |         |
|   |  | Chen Bo<br>06/13'13               | Chen Bo<br>06/13'13 |                      |         | X. ±0.50   |         |
|   |  |                                   |                     | UNIT: mm             |         | X.X ±0.30  |         |
|   |  |                                   |                     | SCALE: NONE          |         | X.XX ±0.10 |         |
|   |  |                                   |                     | SHEET: 01/01         |         | X° ±1°     |         |
|   |  |                                   |                     | REV.: J              |         |            |         |

## Looking for pricing, stock, or lifecycle information?

Click below to explore more details on WIN SOURCE:

 [View QQ0453510000G on WIN SOURCE](#)

 [Amphenol Anytek Information](#)

## Optimize Your Supply Chain with WIN SOURCE Solutions

-  Global Sourcing Solution
-  Obsolete Management
-  Cost Control Management
-  Shortage Management
-  Alternative Solution
-  Excess Inventory Management