



THE DATASHEET OF T1146NLST



NOTES: UNLESS OTHERWISE SPECIFIED

1.

NOTICE: THIS IS A RoHS COMPLIANT COMPONENT/PRODUCT. ALL ENGINEERING CHANGES MUST HAVE PRIOR APPROVAL BY THE DESIGN CENTER.
RoHS-6 

2. PLASTIC: THERMOSET PLASTIC MATERIAL WITH FLAMMABILITY RATING UL 94V-0 OR BETTER.
3. SOLDERABILITY: CONFORMS TO ANSI/J-STD-002 245°C REFLOW PEAK TEMPERATURE PER IPC/EIA J-STD-003A
4. OPERATING TEMPERATURE: 0°C TO +70°C
5. STORAGE TEMPERATURE: -20°C TO +125°C
6. JEDEC MOISTURE: LEVEL 1.
7. DIMENSIONS ARE IN INCHES [MILLIMETERS] WITH THE FOLLOWING TOLERANCES: [MILLIMETERS] ARE FOR REFERENCE ONLY.
.XX = ±.01 [±0.25]
.XXX = ±.005 [±0.13]
8. NOT FOR SALE IN U.S.

ELECTRICAL CHARACTERISTICS:

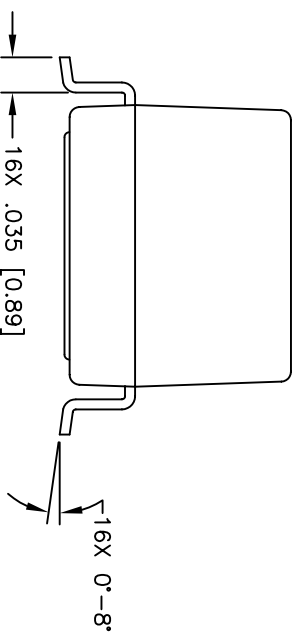
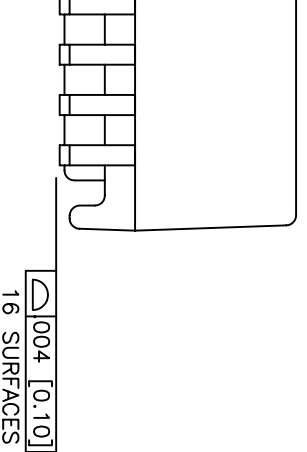
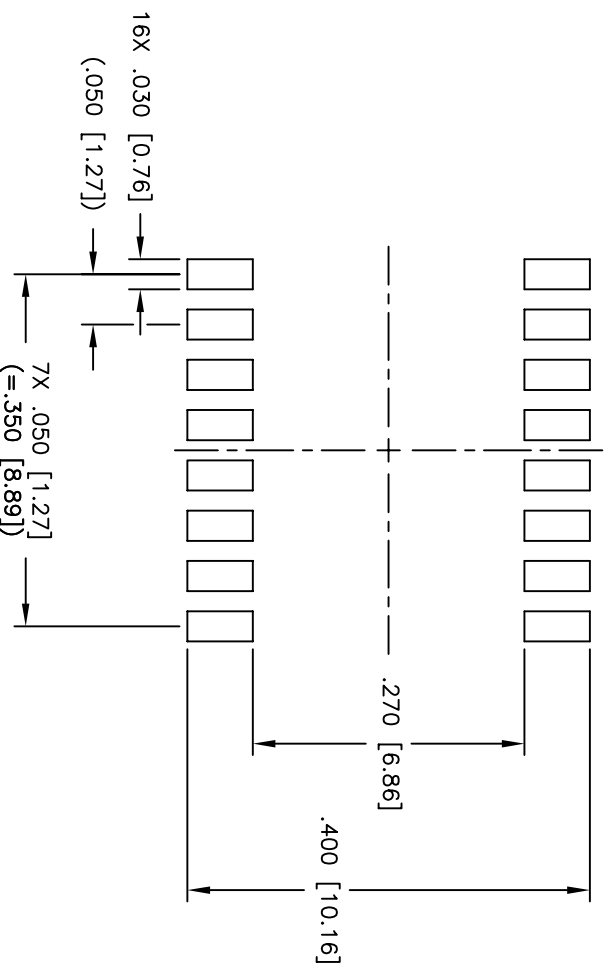
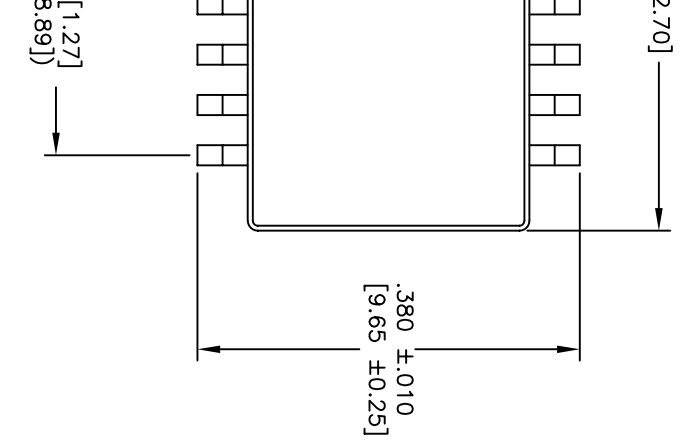
ELECTRICAL: @ +25°C

No.	PARAMETER	SPECIFICATIONS
1	TURNS RATIO @ 10KHZ, 0.02VRMS	$\frac{(16-15)}{(15-14)} = 5.0 \pm 2\%$ $\frac{(16-15)}{(1-3)} = 2.0 \pm 2\%$ $\frac{(15-14)}{(1-3)} = 0.4 \pm 2\%$ $\frac{(11-9)}{(6-8)} = 1.0 \pm 2\%$, $\frac{(11-10)}{(6-8)} = 0.793 \pm 1.75\%$ -2.2%
2	OPEN CIRCUIT INDUCTANCE (OCL): @ 100KHZ, 0.02VRMS	(1-3) = (6-8) = 1.0mH MINIMUM
3	LEAKAGE INDUCTANCE(LL) @ 100KHZ, 0.02VRMS	(1-3) WITH (16-14) SHORT = 1.0 uH MAXIMUM (6-8) WITH (11-9) SHORT = 1.0 uH MAXIMUM
4	CWW(PRI TO SEC) @ 100KHZ, 1 VRMS	(16-14) TO (1-3) = 35 pF MAXIMUM (6-8) TO (11-9) = 35 pF MAXIMUM
5	DC RESISTANCE (DCR)	(1-3) = 1.0 OHM MAXIMUM (6-8) = 1.0 OHM MAXIMUM
6	HIPOT (PRI TO SEC)	1500 VRMS MIN @ 60 SECONDS

NOTE: f IS FREQUENCY IN MHZ.

© Copyright, 2013. Pulse Electronics, Inc. All rights reserved. Drawing specifications subject to change without notice. (10/

PULSE CONFIDENTIAL & PROPRIETARY	PRODUCT DESCRIPTION	PS DRAWING	SHEET: [
	XFMR,DUAL,T1,BH,ET,1:2/2.4,1:1, SMT	PS-2005.001-D	1




rights reserved. Drawing specifications subject to change without notice. (10/15/13)

PRODUCT DESCRIPTION	PS DRAWING	SHEET:	DWG. NO./ PART NO.	REV.
AL,T1,BH,ET,1:2/2.4,1:1, SMT	PS-2005.001-D	2	T1146QNL	M10

Looking for pricing, stock, or lifecycle information?

Click below to explore more details on WIN SOURCE:

 [View T1146NLST on WIN SOURCE](#)

 [Pulse Information](#)

Optimize Your Supply Chain with WIN SOURCE Solutions

-  Global Sourcing Solution
-  Obsolete Management
-  Cost Control Management
-  Shortage Management
-  Alternative Solution
-  Excess Inventory Management