



THE DATASHEET OF
3581J





3580
3581
3582

High Voltage OPERATIONAL AMPLIFIERS

FEATURES

- HIGH OUTPUT SWINGS, up to $\pm 145V$ (3582)
- LARGE LOAD CURRENTS, up to $\pm 60mA$ (3580)
- DIFFICULT TO DAMAGE, automatic thermal shutoff
- REDUCES SOURCE LOADING, $10^{11}\Omega$ Input Z
- PRESERVES SYSTEM ACCURACY, 110dB CMR 20pA bias current

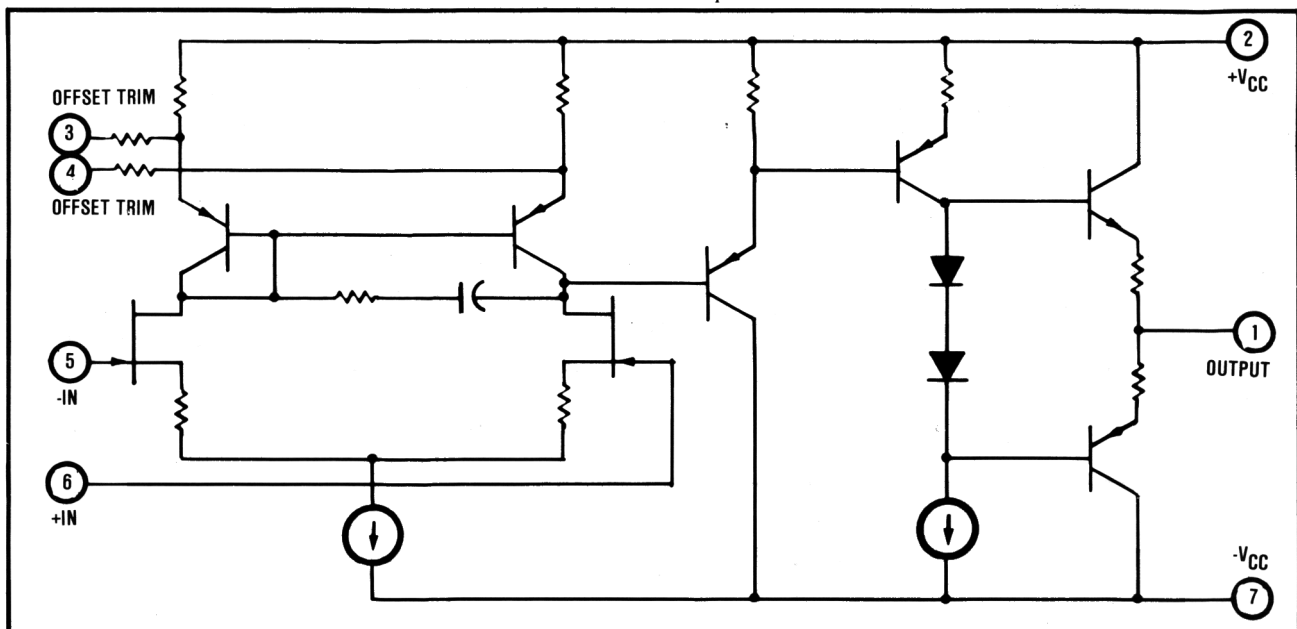
DESCRIPTION

The 3580 series is the first family of Integrated Circuit operational amplifiers which will provide output voltage swings of up to $\pm 145V$.

The monolithic FET input stage has low bias currents (20pA) which minimizes the offset voltages caused by the bias current and the large resistance normally associated with high voltage circuits.

The 3580 series is packaged in a TO-3 package which will dissipate over 3W of power without a heat sink and 4.5W with a suitable heat sink.

The input stage is protected against overvoltages and the output stage is protected against short-circuits-to-ground. A special thermal sensing circuit prevents damage to the amplifier by automatically shutting the amplifier down when too much power is being dissipated.



International Airport Industrial Park - P.O. Box 11400 - Tucson, Arizona 85734 - Tel. (602) 746-1111 - Twx: 910-952-1111 - Cable: BBRCORP - Telex: 66-6491

THEORY OF OPERATION

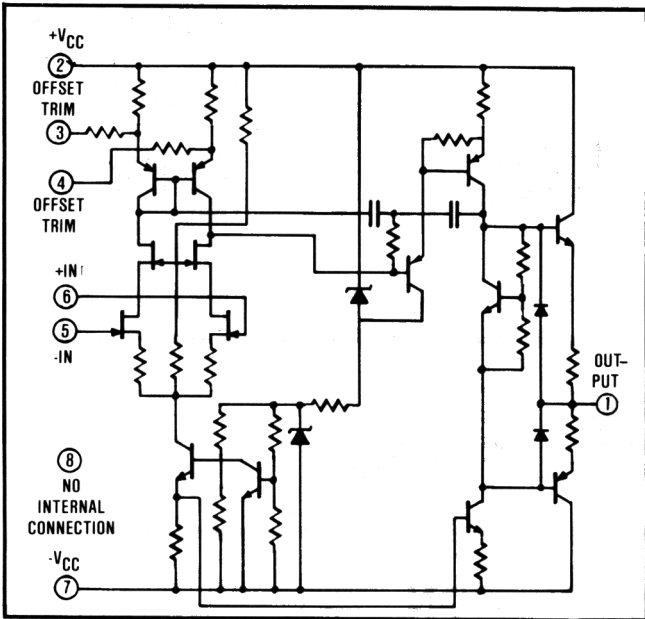


FIGURE 1. Simplifier Schematic of 3580.

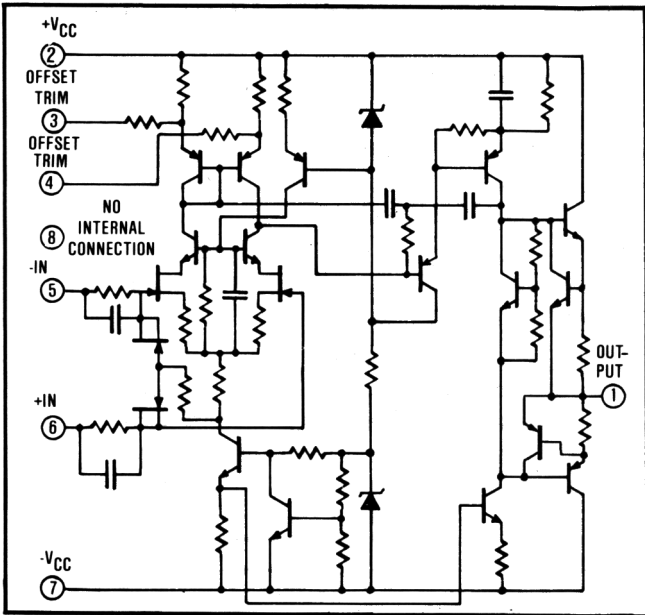


FIGURE 2. Simplified Schematic of 3581 and 3582.

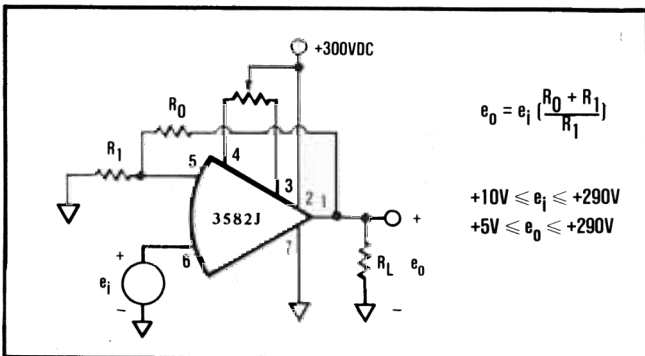


FIGURE 3. Operation from a Single Supply.

The 3580 family of integrated circuit high voltage amplifiers provides performance which previously was only available in bulky modular packages (see Figures 1 and 2). In addition to the smaller size and inherent reliability, the integrated circuit construction offers other

advantages not normally available in modular or discrete component units. The amplifiers have thermal sensing and shut-off circuitry which automatically turns the amplifier off when the internal temperature reaches approximately 150°C. This is accomplished by sensing the substrate temperature and deactivating the input stage current source when the temperature reaches a critical level. As this happens, the output load current limits at a safe value and the amplifier's quiescent current decreases.

If the cause of the abnormal power dissipation is continuous (such as a short circuit across the load) the output current may remain at a low value or oscillate between two values depending on the amount of power being dissipated and the heat sink conditions seen by the amplifier. In either case, the amplifier will not sustain internal damage and will return to normal operation within a few seconds after the abnormal condition is removed.

The incorporation of thermal sensing and shut-off in the amplifier will allow the use of a smaller heat sink than would otherwise be required. This is due to the fact that the amplifier will protect itself and does not require a massive heat sink for protection under abnormal conditions.

Another unique feature of the 3580 family is the thorough testing of the unit receiver. In addition to the normal tests, all amplifiers are 100% tested for input protection at the full rated differential voltage (+V_{CC}-V_{CC}). Each unit is also 100% tested for output short circuit to common at maximum supply voltage.

The 3581 and 3582 have a unique feature that is important in many high voltage applications. In these two models the input bias current is virtually independent of the applied common-mode voltage. This is accomplished by the true cascode input stage which keeps the drain-to-source voltage of the input transistors constant as the common-mode voltage changes.

OPERATION FROM A SINGLE SUPPLY

It may be desirable in some applications to operate the amplifiers from a single supply. The circuit in Figure 3 illustrates a typical application.

Note that there are restrictions on the input and output voltages (e_i and e_o) which are necessary in order to keep the amplifier circuits operating in a linear manner.

It should be noted that when the 3581 and 3582 amplifiers are operated from a single supply, the output stage, which is still short-circuit-current limited and thermally protected, is not protected against short circuits to ground (the 3580 will still be short circuit protected under these conditions). When the amplifiers are operated from a single supply, the voltage across one of the output transistors is high enough that secondary breakdown is a consideration. The output current must be limited in order to prevent damage. This can be done by keeping the load resistor larger than 5kΩ for the 3582 and greater than 1kΩ for the 3581.

SPECIFICATIONS

ELECTRICAL			
Typical at T _{CASE} = +25°C max unless otherwise noted.			
MODELS	3580J	3581J	3582J
POWER SUPPLY			
Voltage, ±V _{CC}	±15VDC to ±35VDC	±32VDC to ±75VDC	±70VDC to ±150VDC
Quiescent Current, max	±10mA	±8mA	±6.5mA
RATED OUTPUT			
Voltage, ±V _{CC} - 5 VDC, min	±10VDC to ±30VDC	±27VDC to ±70VDC	±65VDC to ±145VDC
Current, min	±60mA	±30mA	±15mA
Current, Short Circuit	±100mA	±50mA	±25mA
Load Capacitance, max		10nF	
OPEN-LOOP GAIN			
No Load, DC	106dB	112dB	118dB
Rated Load, DC, min	86dB	94dB	100dB
FREQUENCY RESPONSE			
Unity Gain Bandwidth, Small Signal		5MHz, min	
Full Power Bandwidth	100kHz	60kHz	30kHz
Slew Rate	15V/μs	20V/μs	20V/μs
Settling Time, 0.1%		12μs	
INPUT OFFSET VOLTAGE			
Initial at T _{CASE} = +25°C, max	±10mV	±3mV	±3mV
Drift vs Temp, max	±30μV/°C	±25μV/°C	±25μV/°C
Drift vs Supply Voltage	100μV/V	20μV/V	20μV/V
Drift vs Time	100μV/mo	50μV/mo	50μV/mo
INPUT BIAS CURRENT			
Initial at T _{CASE} = +25°C, max	-50pA	-20pA	-20pA
Drift vs Temp		doubles every 10°C	
Drift vs Supply Voltage	0.5pA/V	0.2pA/V	0.2pA/V
INPUT OFFSET CURRENT			
Initial at T _{CASE} = +25°C, max		±20pA	
Drift vs Temp		doubles every 10°C	
Drift vs Supply Voltage	0.5pA/V	0.2pA/V	0.2pA/V
INPUT IMPEDANCE			
Differential		10 ¹¹ Ω, 10pF	
Common-mode		10 ¹¹ Ω	
INPUT NOISE			
Voltage 0.01Hz to 10Hz, p-p		5μV	
10Hz to 1kHz, rms	1μV	1.7μV	1.7μV
Current 0.01Hz to 10Hz, p-p	1pA	0.3pA	0.3pA
INPUT VOLTAGE RANGE			
Max Safe Differential Voltage ⁽¹⁾		+V _{CC} - -V _{CC}	
Max Safe Common-mode Voltage		+V _{CC} to -V _{CC}	
Common-mode Voltage, Linear Operation	± V _{CC} - 8 V	± V _{CC} - 10 V	± V _{CC} - 10 V
Common-mode Rejection	86dB	110dB	110dB
TEMPERATURE Case			
Specification		0°C to 70°C	
Operating		-55°C to +125°C	
Storage		-55°C to +150°C	

NOTE:

1. On Models 3581 and 3582 the inputs may be damaged by pulses at pins 5 or 6 with $dV/dt \geq 1V/ns$. Any possible damage can be eliminated by limiting the input current to 150mA with external resistors in series with those pins. No external protection is needed for slower voltage.

The information provided herein is believed to be reliable; however, BURR-BROWN assumes no responsibility for inaccuracies or omissions. BURR-BROWN assumes no responsibility for the use of this information, and all use of such information shall be entirely at the user's own risk. Prices and specifications are subject to change without notice. No patent rights or licenses to any of the circuits described herein are implied or granted to any third party. BURR-BROWN does not authorize or warrant any BURR-BROWN product for use in life support devices and/or systems.

MECHANICAL

NOTE:
Leads in true position within .010"
(.25mm) R @ MMC at seating plane.

DIM	INCHES		MILLIMETERS	
	MIN	MAX	MIN	MAX
A	1.510	1.550	38.35	39.37
B	.745	.770	18.92	19.56
C	.240	.290	6.10	7.37
D	.038	.042	0.97	1.07
E	.080	.105	2.03	2.67
F	40° BASIC		40° BASIC	
G	.500 BASIC		12.7 BASIC	
H	1.186 BASIC		30.12 BASIC	
J	.593 BASIC		15.06 BASIC	
K	.400	.500	10.16	12.70
Q	.151	.161	3.84	4.09
R	.980	1.020	24.89	25.91

Pin material and plating composition conform to Method 2003 (solderability) of Mil-Std-883 [except paragraph 3.2].

ORDER NUMBER: 3580J
3581J
3582J

WEIGHT: 15 GRAMS
CASE: METAL

PIN CONFIGURATION

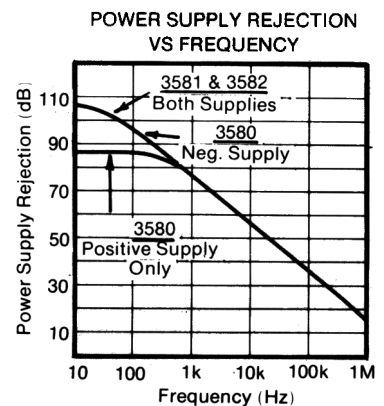
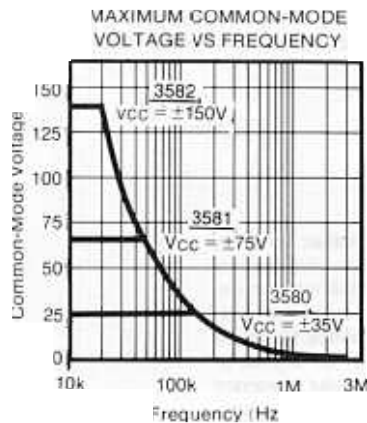
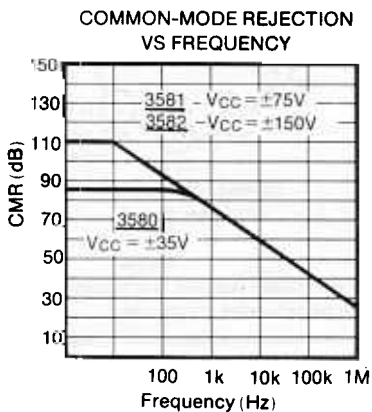
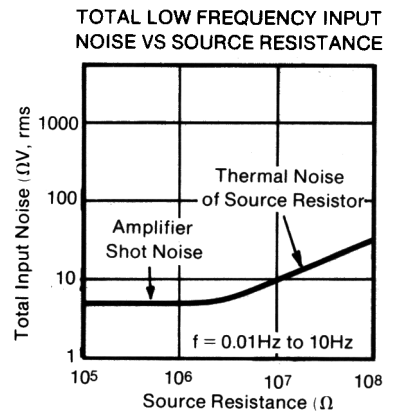
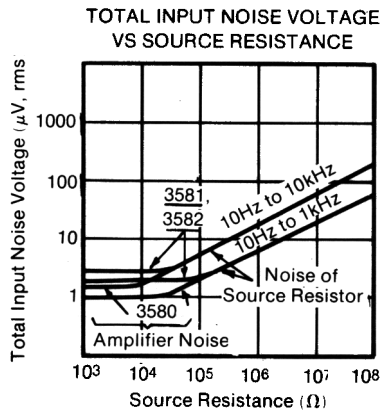
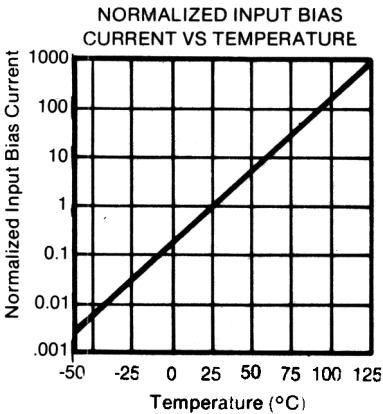
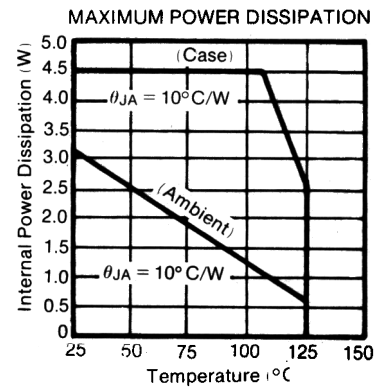
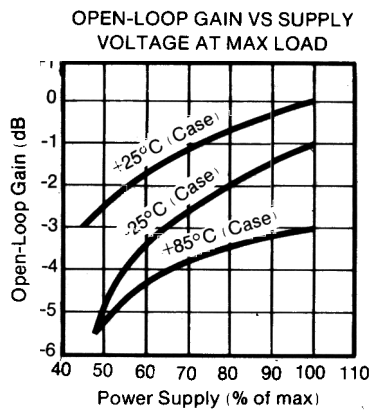
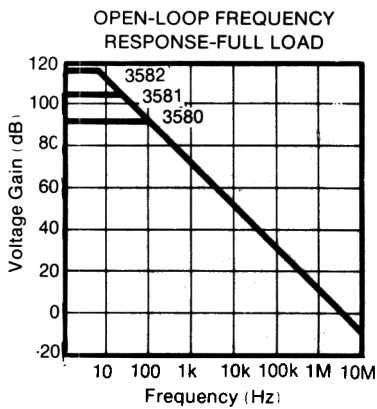
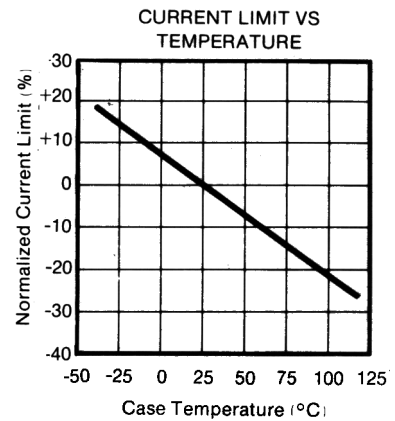
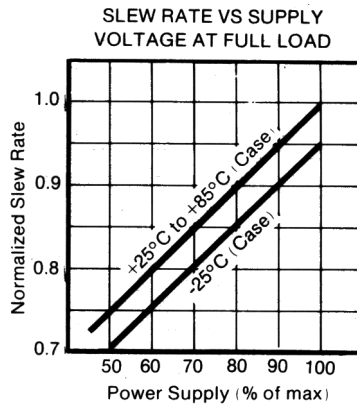
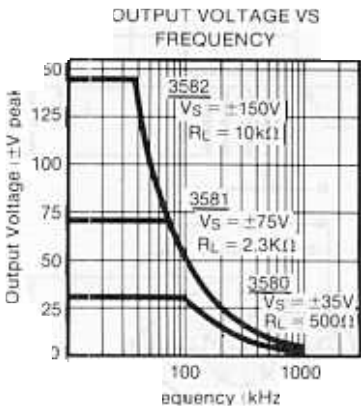
TOP VIEW

CONNECTOR: 0803MC
HEAT SINK: 0803HS
0804HS
0805HS

*The case is electrically isolated. It is recommended that the case be grounded during use.

TYPICAL PERFORMANCE CURVES

T_{CASE} = +25°C and ±V_{CC} max unless otherwise noted.



PACKAGING INFORMATION

ORDERABLE DEVICE	STATUS(1)	PACKAGE TYPE	PACKAGE DRAWING	PINS	PACKAGE QTY
3581J	NRND	TO/SOT	LMF	8	18

(1) The marketing status values are defined as follows:

ACTIVE: Product device recommended for new designs.

LIFEBUY: TI has announced that the device will be discontinued, and a lifetime-buy period is in effect.

NRND: Not recommended for new designs. Device is in production to support existing customers, but TI does not recommend using this part in a new design.

PREVIEW: Device has been announced but is not in production. Samples may or may not be available.

OBSOLETE: TI has discontinued the production of the device.

IMPORTANT NOTICE

Texas Instruments Incorporated and its subsidiaries (TI) reserve the right to make corrections, modifications, enhancements, improvements, and other changes to its products and services at any time and to discontinue any product or service without notice. Customers should obtain the latest relevant information before placing orders and should verify that such information is current and complete. All products are sold subject to TI's terms and conditions of sale supplied at the time of order acknowledgment.

TI warrants performance of its hardware products to the specifications applicable at the time of sale in accordance with TI's standard warranty. Testing and other quality control techniques are used to the extent TI deems necessary to support this warranty. Except where mandated by government requirements, testing of all parameters of each product is not necessarily performed.

TI assumes no liability for applications assistance or customer product design. Customers are responsible for their products and applications using TI components. To minimize the risks associated with customer products and applications, customers should provide adequate design and operating safeguards.

TI does not warrant or represent that any license, either express or implied, is granted under any TI patent right, copyright, mask work right, or other TI intellectual property right relating to any combination, machine, or process in which TI products or services are used. Information published by TI regarding third-party products or services does not constitute a license from TI to use such products or services or a warranty or endorsement thereof. Use of such information may require a license from a third party under the patents or other intellectual property of the third party, or a license from TI under the patents or other intellectual property of TI.

Reproduction of information in TI data books or data sheets is permissible only if reproduction is without alteration and is accompanied by all associated warranties, conditions, limitations, and notices. Reproduction of this information with alteration is an unfair and deceptive business practice. TI is not responsible or liable for such altered documentation.

Resale of TI products or services with statements different from or beyond the parameters stated by TI for that product or service voids all express and any implied warranties for the associated TI product or service and is an unfair and deceptive business practice. TI is not responsible or liable for any such statements.

Following are URLs where you can obtain information on other Texas Instruments products and application solutions:

Products		Applications	
Amplifiers	amplifier.ti.com	Audio	www.ti.com/audio
Data Converters	dataconverter.ti.com	Automotive	www.ti.com/automotive
DSP	dsp.ti.com	Broadband	www.ti.com/broadband
Interface	interface.ti.com	Digital Control	www.ti.com/digitalcontrol
Logic	logic.ti.com	Military	www.ti.com/military
Power Mgmt	power.ti.com	Optical Networking	www.ti.com/opticalnetwork
Microcontrollers	microcontroller.ti.com	Security	www.ti.com/security
		Telephony	www.ti.com/telephony
		Video & Imaging	www.ti.com/video
		Wireless	www.ti.com/wireless

Mailing Address: Texas Instruments
Post Office Box 655303 Dallas, Texas 75265

Copyright © 2003, Texas Instruments Incorporated

Looking for pricing, stock, or lifecycle information?

Click below to explore more details on WIN SOURCE:

- ⊖ [View 3581J](#) on WIN SOURCE
- ⊖ [Texas Instruments](#) Information

Optimize Your Supply Chain with WIN SOURCE Solutions

- ✓ Global Sourcing Solution
- ✓ Obsolete Management
- ✓ Cost Control Management
- ✓ Shortage Management
- ✓ Alternative Solution
- ✓ Excess Inventory Management