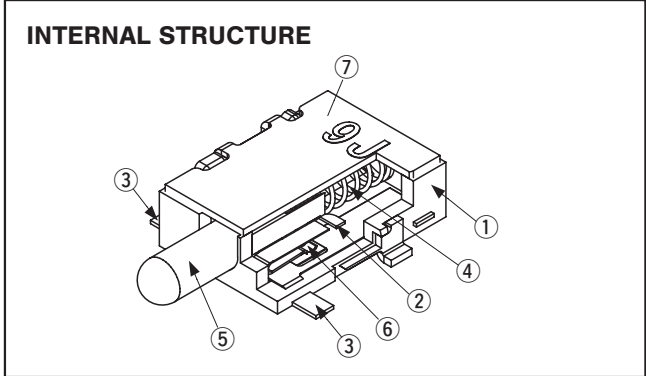




**THE DATASHEET OF  
CL-DA-1BB4-A2T**





### FEATURES

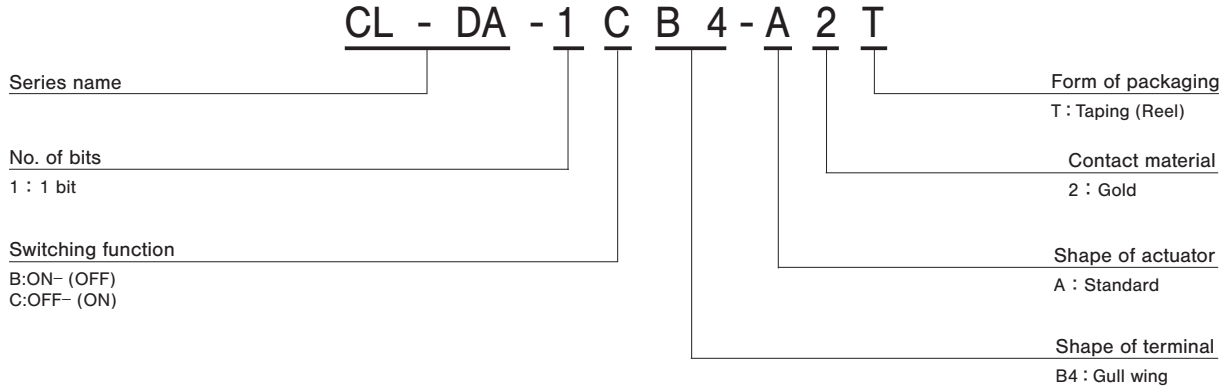
- High reliability by Gold contact
- RoHS compliant
- For detection of operation from side direction
- Automatic mounting possible
- Low profile design of 2mm

	Part name	Material	Flammability
①	Housing	Polyamide	UL94V-0
②	Fixed contact	Copper alloy, Gold-plated	—
③	Terminal pin		
④	Spring	Stainless steel(SUS 304)	—
⑤	Knob	Polyamide	UL94V-0
⑥	Slider contact	Copper alloy, Gold-plated	—
⑦	Cover	Nickel silver, Silver-plated	—

### APPLICATIONS

- Detection of Communication devices, Audio-visual equipment, Industrial instrument, Security devices, etc.

### PART NUMBER DESIGNATION



# CL-DA

## DETECT SWITCHES

### STANDARD SPECIFICATIONS

Operating temp. range	- 40 ~ 85 °C
Storage temp. range	
Sealing	Non-washable
Net weight	0.093 g

### ELECTRICAL CHARACTERISTICS

Contact rating Switching Minimum	DC12 V, 100 mA DC20 mV, 1 μA
Contact resistance	100 mΩ maximum
Insulation resistance	100 MΩ (DC100 V) minimum
Dielectric strength	AC250 V, 60s

### MECHANICAL CHARACTERISTICS

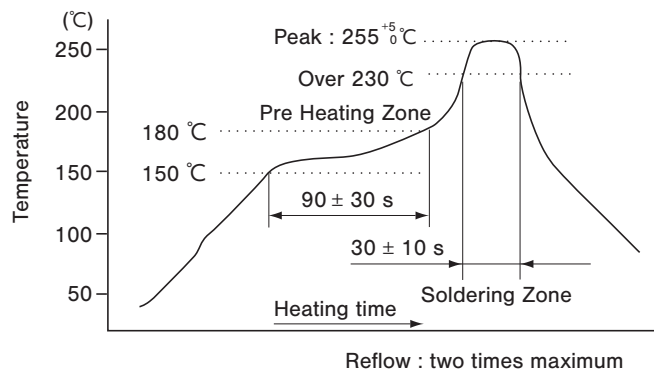
Switching function	OFF – (ON) / ON – (OFF)
Stroke	Pre-travel: 0.35mm Over-travel: 2.0mm total: 2.35mm
Operating force	0.75 N {0.075 kgf}
Stop strength	5 N {0.51 kgf}, 60 s
Solderability	245 ± 3 °C, 2 ~ 3 s
Soldering heat	Reflow : 260 °C (Peak temperature) (Please refer to the profile below)
Shear (Adhesion)	5 N {0.51 kgf} 10 s
Substrate bending	Width 90 mm, bend 3 mm, 5 s, 1 time
Pull-off strength	5 N {0.51 kgf} 10 s

{ } :Reference only

### ENVIRONMENTAL CHARACTERISTICS

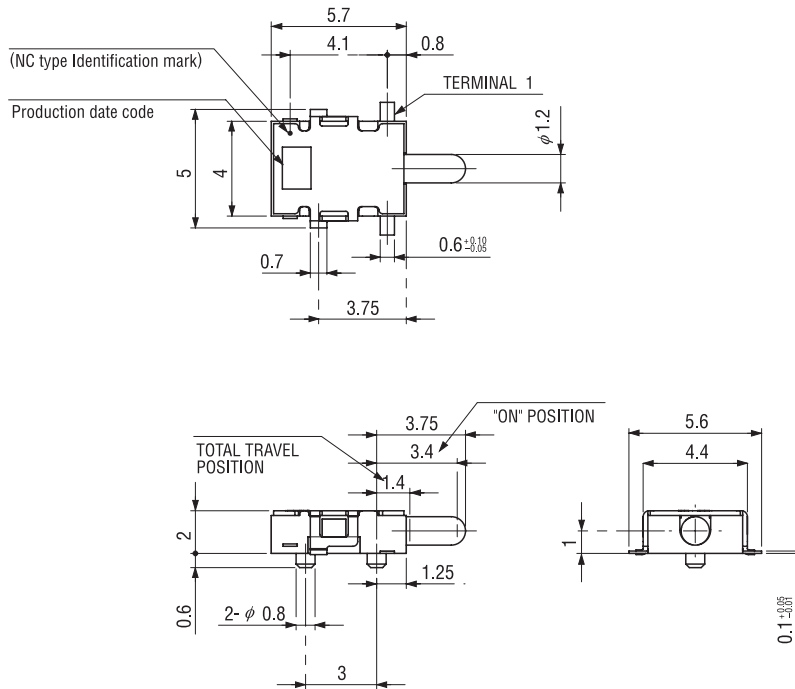
Vibration	(Amplitude) 1.5 mm or (Acceleration) 98 m/s <sup>2</sup> , 10-500 Hz, 3 directions for 10 cycles each
Shock	490 m/s <sup>2</sup> , 11 ms 6 directions for 3 times each
Load life	Continuous load 50,000cycles DC12 V, 100 mA
Humidity	-10 ~ 65 °C, Relative humidity 0 ~ 96 %, 24 h for 10 cycles
High temp. exposure	85 °C, 96 h
Low temp. exposure	-40 °C, 96 h
Thermal shock	-40 (0.5 h) ~ 85 °C (0.5 h), 5 cycles

### <Reflow profile for soldering heat evaluation>



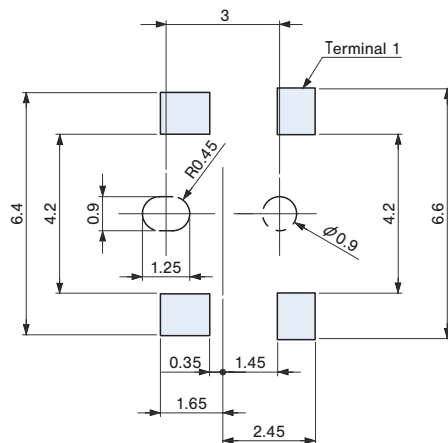
## OUTLINE DIMENSIONS

Unless otherwise specified, tolerance :  $\pm 0.3$  (Unit : mm)



## RECOMMENDED P.C.B. PAD DIMENSIONS

(Unit : mm)



## LIST OF PART NUMBERS / SWITCHING FUNCTION

Part number	CL-DA-1BB4-A2T		CL-DA-1CB4-A2T	
Switching function				
	ON	(OFF)	OFF	(ON)
	Schematic		Schematic	

# CL-DA

## DETECT SWITCHES

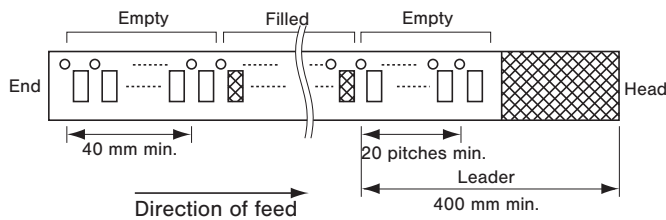
### PACKAGING SPECIFICATIONS

#### <Taping packaging specifications>

- Taping version is packaged in 1000 pcs. per reel. Orders will be accepted for units of 1000 pcs.

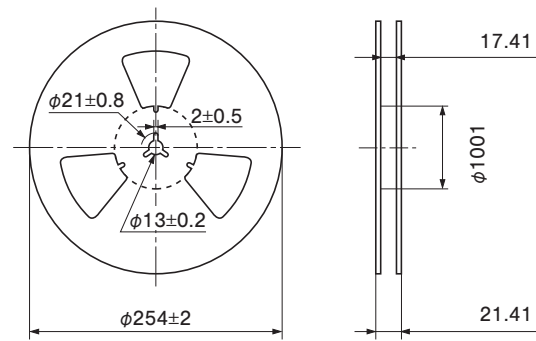
Maximum number of consecutive missing pieces=2  
 Leader length and reel dimension are shown in the diagrams below:

#### ● Embossed tape dimensions



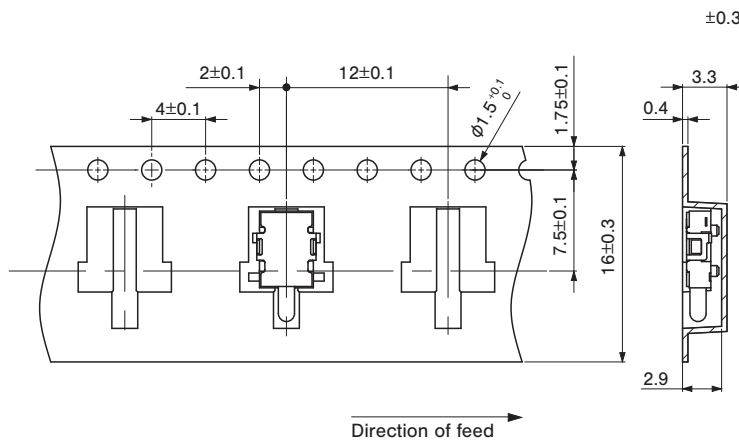
#### ● Reel dimensions (Conforms to JIS C 0806-3) (In accordance with EIAJ ET-7200A)

(Unit: mm)



#### ● 1 bit

(Unit : mm)



## Looking for pricing, stock, or lifecycle information?

Click below to explore more details on WIN SOURCE:

- ⊖ [View CL-DA-1BB4-A2T on WIN SOURCE](#)
- ⊖ [Nidec Copal Electronics Information](#)

## Optimize Your Supply Chain with WIN SOURCE Solutions

- ✓ Global Sourcing Solution
- ✓ Obsolete Management
- ✓ Cost Control Management
- ✓ Shortage Management
- ✓ Alternative Solution
- ✓ Excess Inventory Management