



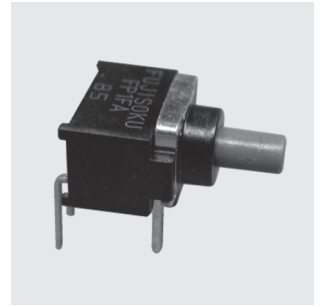
# THE DATASHEET OF CFP2-1FC6-AW



# CFP2

- Terminal Pins: Straight
- Actuator Color: Gray

## Ultra-Miniature Pushbutton Switches



Washable

RoHS Compliant

### Features

1. Ultra-miniature pushbutton switch for high density mounting.
2. Washable.
3. Terminal pin pitch: 2.54 mm.
4. Independent detent mechanism ensures light operational feel.
5. Clip contact mechanism for long-term contact reliability.
6. Gold-plated contacts.

### Specifications

Rating	Max.	0.4 VA (28 VDC max.)
	Min.	1 $\mu$ A 20 mVDC
Initial contact resistance	100 m $\Omega$ max. (1.5 mA 200 $\mu$ VAC)	
Dielectric strength	250 VAC 1 minute	
Insulation resistance	500 M $\Omega$ min. (250 VDC)	
Electrical life	10,000 operations at max.rating 30,000 operations at min.rating	
Mechanical life	30,000 cycles	
Operating force	1.47 $\pm$ 0.98 N	
Operating temperature range	-40 ~ +85 $^{\circ}$ C	
Storage temperature range	-40 ~ +85 $^{\circ}$ C	

### Part Numbering

<b>CFP2</b>		<b>2</b>	<b>R</b>	<b>C4</b>	<b>A</b>	<b>W</b>						
Series Actuator		Number of poles	Switching function	Terminal style	Actuator shape	Packing form						
Code	Type	Fig.	Number of poles	1 pole	2 poles	Switching function	Fig.	Terminal style	Code	Actuator shape	Code	Packing form
<b>P</b>	Pushbutton	<b>1</b>	1 pole	<b>F</b>	<b>R</b>	ON - (ON)	<b>C</b>	PC Straight	<b>A</b>	Standard	<b>W</b>	Tray
		<b>2</b>	2 poles				<b>C4</b>	Right angle				
							<b>C6</b>	Vertical mounting				

Terminal style of c (Style : P/C Terminal)	<b>C4</b> Terminal style of c4 (Style : R/A Terminal)	Terminal style of c6 (Style : V/M Terminal)

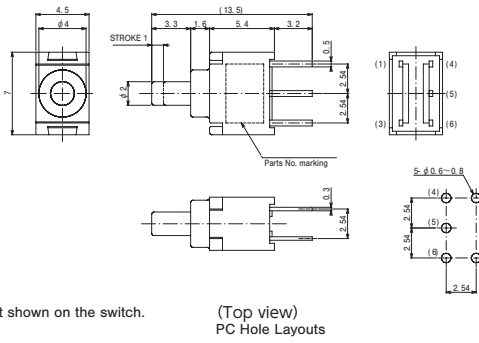
CFP2

SPDT

PC



Terminal numbers are not shown on the switch.



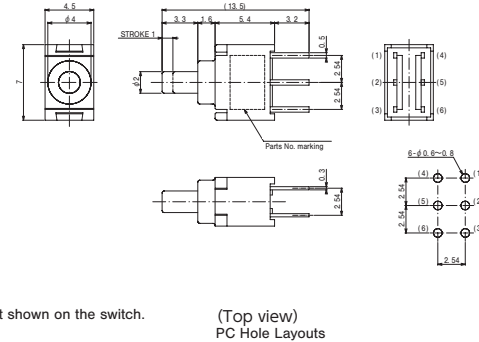
Switching function		
Part No.	<b>CFP2-1FC-AW</b>	(ON)
Connecting terminals	5-6	5-4

DPDT

PC



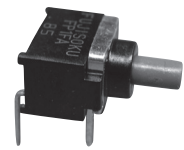
Terminal numbers are not shown on the switch.



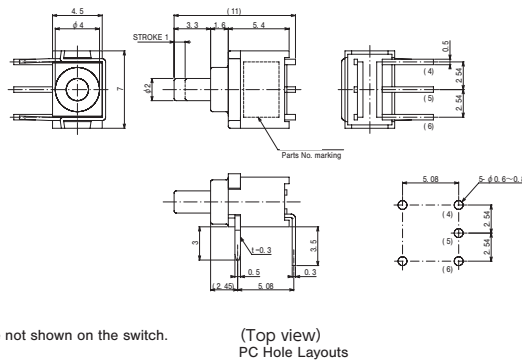
Switching function		
Part No.	☆CFP2-2RC-AW	(ON)
Connecting terminals	2-3 5-6	2-1 5-4

SPDT

R/A



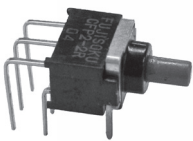
Terminal numbers are not shown on the switch.



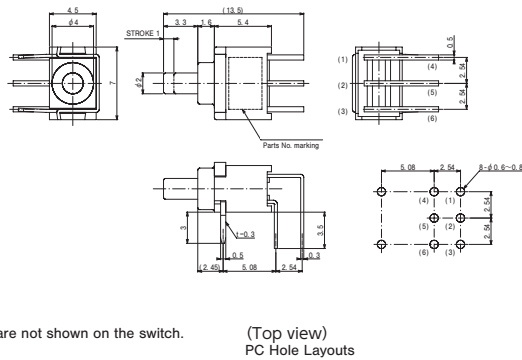
Switching function		
Part No.	<b>CFP2-1FC4-AW</b>	(ON)
Connecting terminals	5-6	5-4

DPDT

R/A



Terminal numbers are not shown on the switch.



Switching function		
Part No.	☆CFP2-2RC4-AW	(ON)
Connecting terminals	2-3 5-6	2-1 5-4

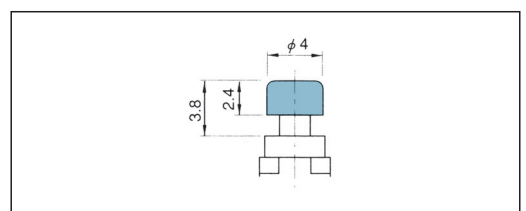
※ The above PC Hole Layouts are top view drawings.

Optional Accessories

《Sold separately》

Part Name	Dimension	Color	Part Number
Color Cap		White	<b>140000481453</b>
		Red	<b>140000481452</b>
		Black	<b>140000481451</b>
		Gray	<b>140000481450</b>

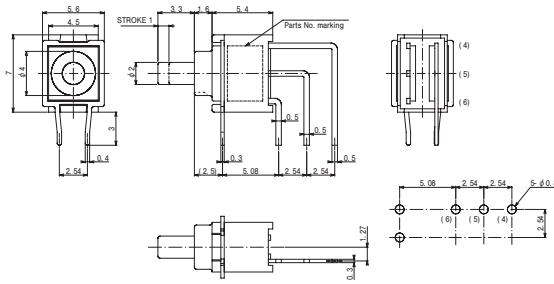
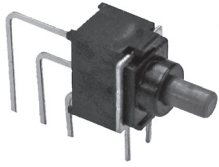
Color Cap Mounting



:Optional Accessories. (ON) : Momentary. ☆ : Semi-standard products.

**SPDT**

V/M



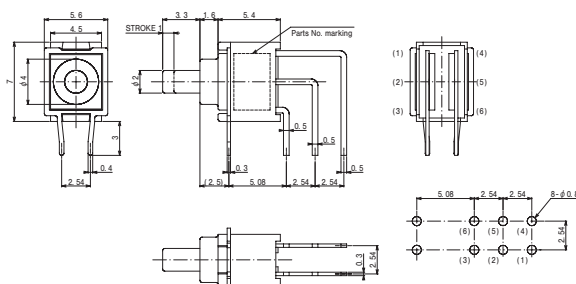
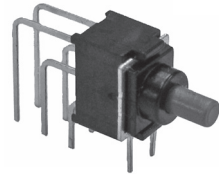
Terminal numbers are not shown on the switch.

(Top view)  
PC Hole Layouts

Switching function		
Part No.	<b>CFP2-1FC6-AW</b>	(ON)
Connecting terminals	5-6	5-4

**DPDT**

V/M



Terminal numbers are not shown on the switch.

(Top view)  
PC Hole Layouts

Switching function		
Part No.	☆ <b>CFP2-2RC6-AW</b>	(ON)
Connecting terminals	2-3 5-6	2-1 5-4

※ The above pcb hole dimengion, it is a top view drawing when we fix the switch.

**Handling Specifications**

**1. Soldering Specifications**

(1)Manual Soldering

Device : Soldering iron  
350°C, Max.; 3 seconds, Max.

(2)Auto Soldering

Device : Jet wave type or dip type  
260°C, Max.; 3-5 seconds, Max. (One time)

Total dip time: Within 10 seconds

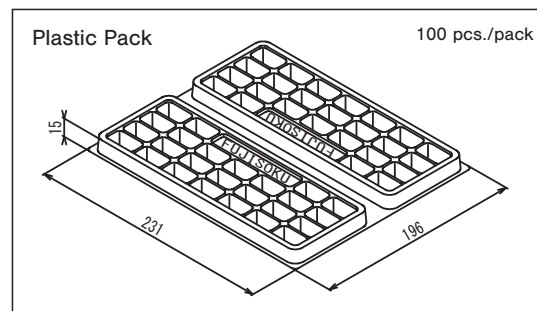
- Pre-heating should be done at temperatures from 80°C to 120°C and within 120 seconds

(3)When soldering two or more terminals to a common land, use solder resist to separate them

**2. Flux Cleaning**

- (1)Solvents : Fluorine or Alcohol type
- (2)Cleaning after soldering should be done after the PC board is exposed to room temperature (30°C or below) for 1 to 2 hours.
- (3)Do not use ultrasonic cleaning.

**Packaging Specifications**



(ON) : Momentary.

☆ : Semi-standard products.

## Looking for pricing, stock, or lifecycle information?

Click below to explore more details on WIN SOURCE:

- ⊖ [View CFP2-1FC6-AW on WIN SOURCE](#)
- ⊖ [Nidec Copal Electronics Information](#)

## Optimize Your Supply Chain with WIN SOURCE Solutions

- ✓ Global Sourcing Solution
- ✓ Obsolete Management
- ✓ Cost Control Management
- ✓ Shortage Management
- ✓ Alternative Solution
- ✓ Excess Inventory Management