

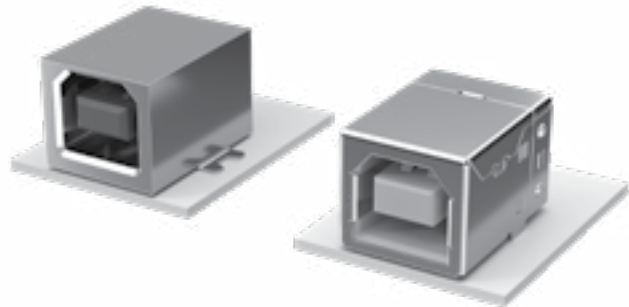


THE DATASHEET OF USB-B-S-S-B-TH



STANDARD & RUGGED USB 2.0

USB-B/USBR-B SERIES



SPECIFICATIONS

Insulator Material:
High Temperature Thermoplastic

Contact Material:
Phosphor Bronze

Plating:
Gold on Contacts, Nickel on Shell, Tin on Tails

Operating Temp Range:
-50 °C to +85 °C

Voltage Rating:
30 VAC

Cycles:
1500
(maximum number of cycles tested)

Packaging:
Packaged and shipped in Bulk Packaging Trays; Trays suitable for automation are available upon request.

Lead-Free Solderable:
USB-SM=Yes
USB-TH= Yes (Wave Solder only)
USBR=Yes (Wave Solder only)

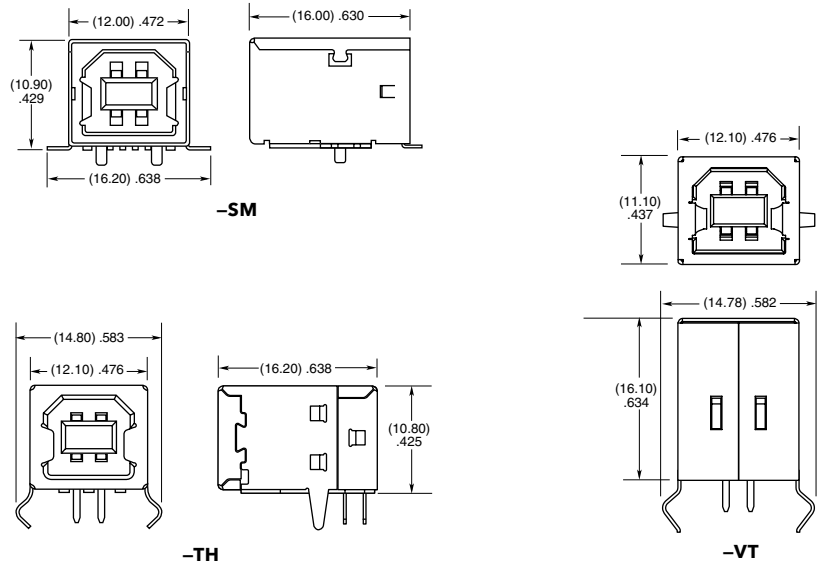
TID Number:
USB-B-S-X-X-TH (61001155)

SERIES	B	S	PLATING	COLOR	TERMINATION	OTHER OPTION
--------	---	---	---------	-------	-------------	--------------

USB = Standard Connector USBR = Increased Retention Connector (Complies with Class 1, DIV II minimum withdrawal requirement of 15N)			-F = Gold Flash on Mating Area, Tin on Tails -S = 30 μm (0.76 μm) Gold on Mating Area, Tin on Tails	-B = Black (USB only) -W = White (USB only) -O = Orange (USBR only)	-TH = Through-hole -SM = Surface Mount (USB only) -VT = Vertical Top Entry	-TR = Tape and Reel (-SM only) -FR = Full Reel Tape & Reel (must order maximum quantity per reel; contact Samtec for quantity breaks) (-SM only)
--	--	--	--	---	--	---

MATING / UNMATING FORCE (100 CYCLES)



SERIES	MATING	UNMATING
USB	5.3 (23.59 N)	6.1 (27.15 N)
USBR	11.8 (52.51 N)	11.5 (51.18 N)



View complete specifications at: samtec.com?USB-B or samtec.com?USBR-B

Looking for pricing, stock, or lifecycle information?

Click below to explore more details on WIN SOURCE:

-  [View USB-B-S-S-B-TH on WIN SOURCE](#)
-  [Samtec Inc. Information](#)

Optimize Your Supply Chain with WIN SOURCE Solutions

-  Global Sourcing Solution
-  Obsolete Management
-  Cost Control Management
-  Shortage Management
-  Alternative Solution
-  Excess Inventory Management