



**THE DATASHEET OF
JXD6-0001NL**



100Base-TX PulseJack™ Integrated SMD Connector

Rugged latch-up design for industrial and outdoor use



Features and Benefits:

- Ⓢ Fully compliant to IEEE802.3.u for 100Base-TX
- Ⓢ Compatible with market leading PHYs
- Ⓢ Rugged design for outdoor and industrial use
- Ⓢ Fully RoHS and lead free compliant
- Ⓢ Supplied in tray or tape and reel
- Ⓢ Peak reflow solder temperature 245°C

Electrical Specifications @ 25°C - Operating Temperature -40°C to +85°C

Part Number*	Inductance 100kHz, 0.1mA - across pins shown	LED Configuration (L/R)	EMI Fingers Configuration	IC Design Style	Isolation (Pri:Sec)
JXD6-0001NL	350uH @ 8mA (4-5), (6-7)	Green/Yellow	None	AUTOMDIX	2250VDC / 60sec
JXD6-0002NL	350uH @ 8mA (5-5), (6-8)	Green/Green	Top and Side	AUTOMDIX	2250VDC / 60sec
JXD6-0003NL	350uH @ 8mA (4-5), (6-7)	Green/Yellow	Top and Side	AUTOMDIX	2250VDC / 60sec

* Component marking will not include the "T" as that denotes product to be shipped in Tape and Reel - see page 4 for details

Electrical Specifications @ 25°C - Operating Temperature -40°C to +85°C

Part Number	Insertion Loss (Max)	Return Loss (dB MIN) 100Ω (±15Ω)				Cross Talk (dB TYP)			Common Mode Rejection (dB TYP)	
	1-100 MHz	1-30 MHz	30-60 MHz	60-80 MHz	1 MHz	30-60 MHz	100 MHz	1-30 MHz	30-100 MHz	
JXD6-0001NL	-1.2dB	-16dB	-12dB	-10dB	-40dB	-35dB	-30dB	-30dB	-30dB	
JXD6-0002NL	-1.2dB	-16dB	-12dB	-10dB	-40dB	-35dB	-30dB	-30dB	-30dB	
JXD6-0003NL	-1.2dB	-16dB	-12dB	-1dB	-40dB	-35dB	-30dB	-30dB	-30dB	

Notes:

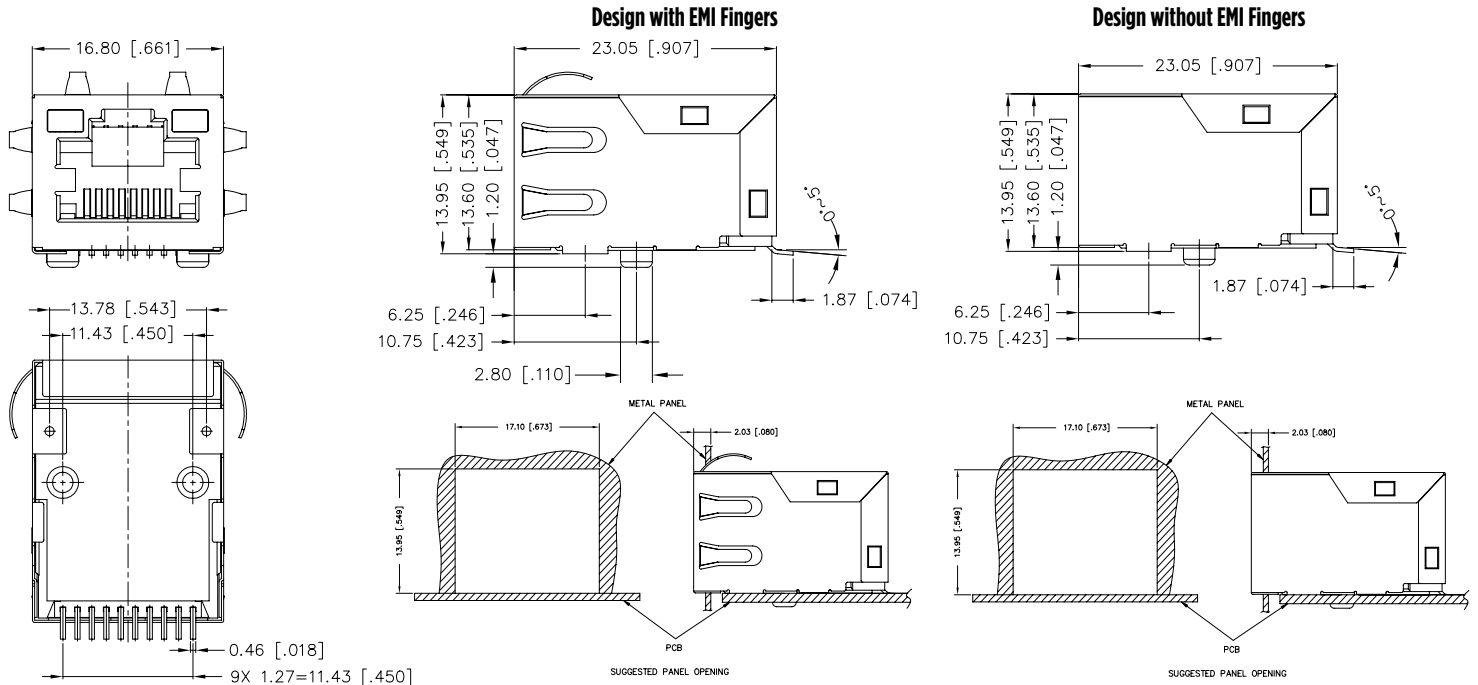
1. ROHS Compliant:
2. Plastic housing: thermoplastic material with flammability rating UL 94V-0 or better
3. Contacts plating: 6 micro-inch gold plating
4. Contacts base material: Phosphor bronze
5. Under plating: 30 micro-inch min nickel
6. Solder Tail Plating: 100 micro-inch (min), inches 100% tin, matte finish
7. Metal shield nickel plating on Copper Alloy
8. Jack cavity conforms to FCC part 68 subpart
9. PCB plating: HASL
10. Storage temperature: -40°C to +85°C
11. Compliance to J-STD:
 - A. J-STD-002: solderability at 245°C DIP and LOOK test
 - B. J-STD-020: level 1, no moisture sensitive
 - C. J-STD-075: R7, 245°C maximum through Reflow Solder
12. Parts are shipped in either trays of 50 pcs or full reels - see page 4 for details

100Base-TX PulseJack™ Integrated SMD Connector

Rugged latch-up design for industrial and outdoor use

MECHANICALS

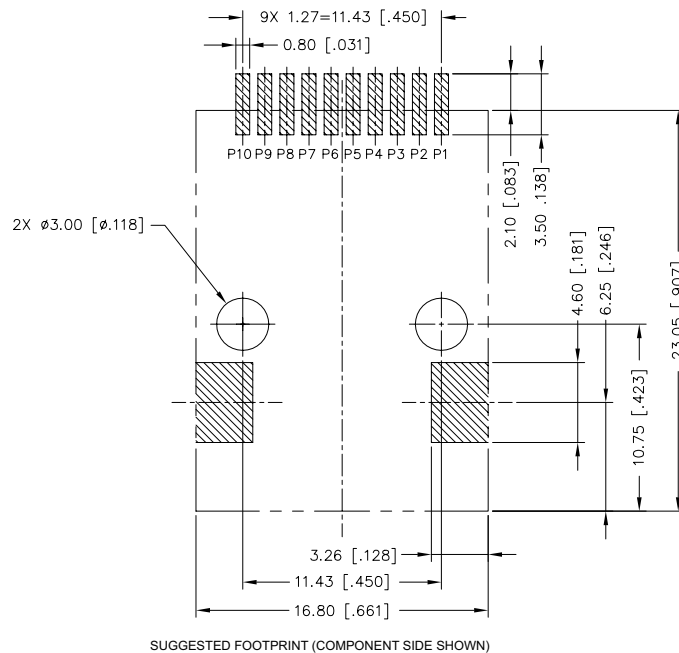
JXD6-000XNL



Dimensions:

Unless otherwise specified,
all tolerances are ± 0,25

RECOMMENDED FOOTPRINT



Dimensions:

Unless otherwise specified,
all tolerances are ± 0,25

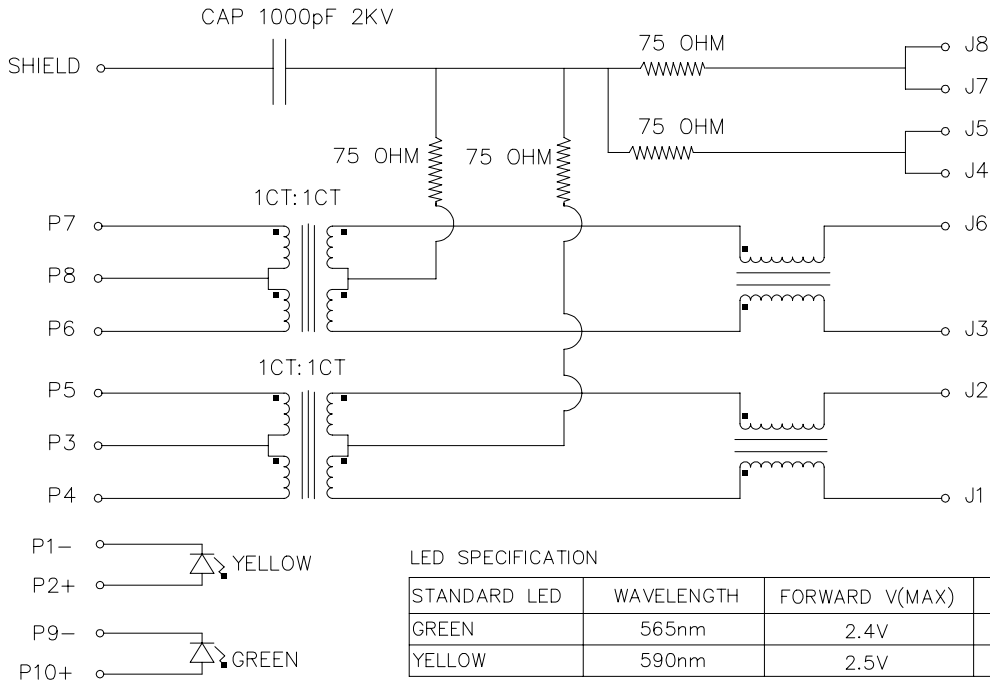
100Base-TX PulseJack™ Integrated SMD Connector

Rugged latch-up design for industrial and outdoor use



SCHEMATICS

JXD6-0001NL, JXD6-0003NL

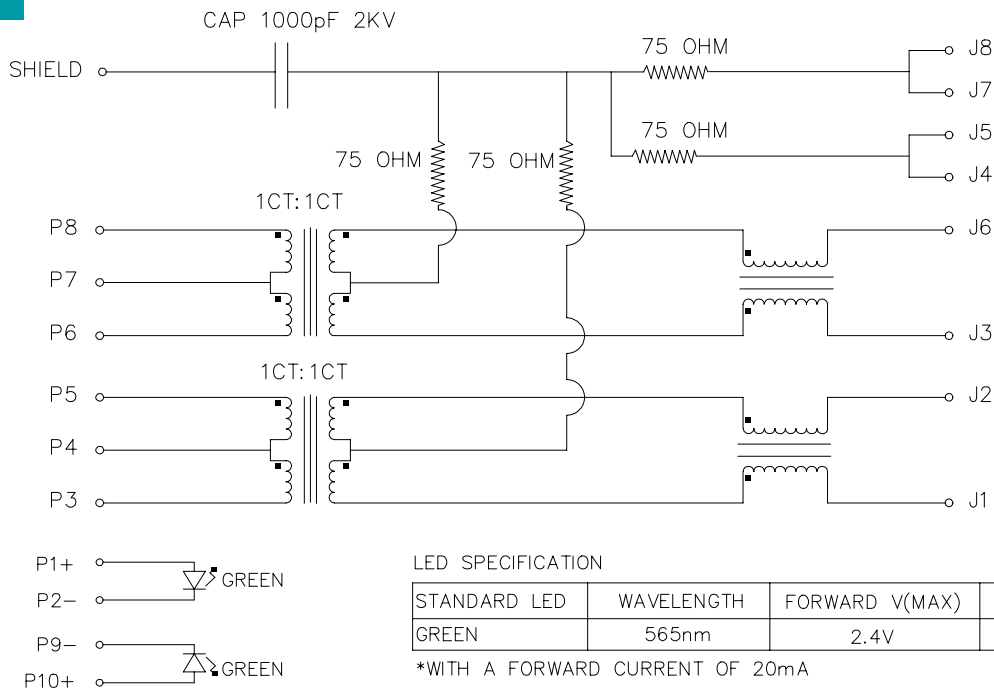


LED SPECIFICATION

STANDARD LED	WAVELENGTH	FORWARD V(MAX)	TYP
GREEN	565nm	2.4V	2.2V
YELLOW	590nm	2.5V	2.1V

*WITH A FORWARD CURRENT OF 20mA

JXD6-0002NL



LED SPECIFICATION

STANDARD LED	WAVELENGTH	FORWARD V(MAX)	TYP
GREEN	565nm	2.4V	2.2V

*WITH A FORWARD CURRENT OF 20mA

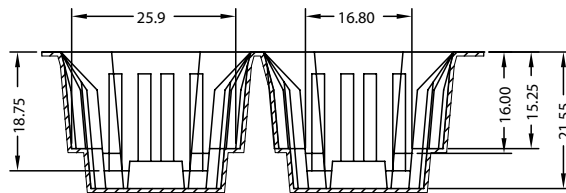
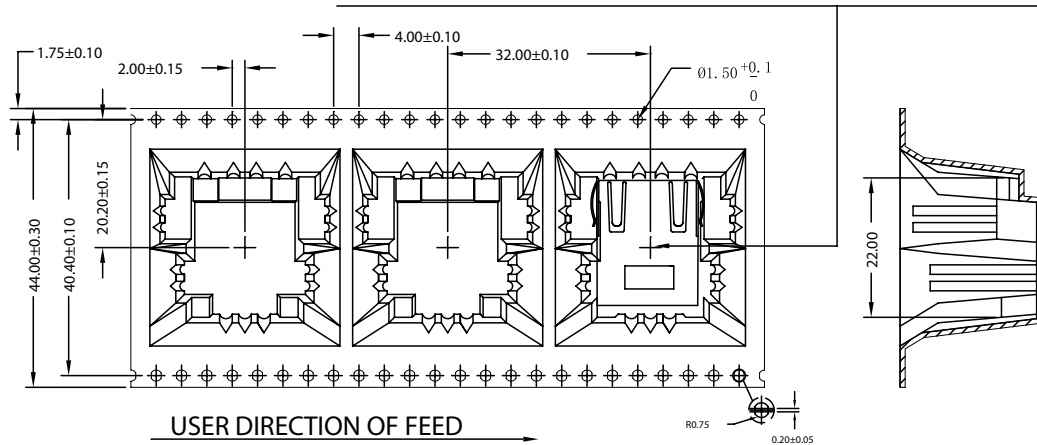
100Base-TX PulseJack™ Integrated SMD Connector

Rugged latch-up design for industrial and outdoor use

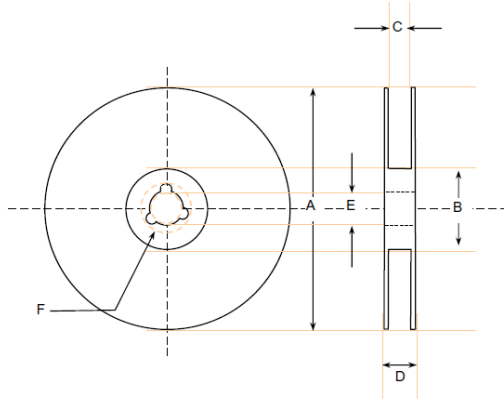
PACKING SPECS - TAPE and REEL

JXD6-000xNLT

Part placed in compartment marking side uppermost.



Dimensions: given in mm
Unless otherwise specified, all tolerances are ± 0.15



REEL SPECIFICATION in mm

A = $\varnothing 360.0 \pm/-2.0$ C = $\varnothing 45.4 \pm/-1.0$ C = $\varnothing 13.1 \pm/-0.3$
B = $\varnothing 100.0 \pm/-0.5$ D = $\varnothing 50.4 \pm/-1.0$ D = $\varnothing 21.0 \pm/-0.5$

PACKING SPECIFICATION:

JXD6-0001NLT = TAPE and REEL110 parts/reel
JXD6-0002NLT = TAPE and REEL86 parts/reel
JXD6-0003NLT = TAPE and REEL86parts/reel
5x Reels = 550/430 Parts in an Export Carton

For More Information:

Americas - proinfo_network_americas@yageo.com | Europe - proinfo_network_emea@yageo.com | Asia - proinfo_network_asia@yageo.com

Performance warranty of products offered on this data sheet is limited to the parameters specified. Data is subject to change without notice. Other brand and product names mentioned herein may be trademarks or registered trademarks of their respective owners. © Copyright, 2023. Pulse Electronics, Inc. All rights reserved.

YAGEO Corporation and its affiliates do not recommend the use of commercial or automotive grade products for high reliability applications or manned space flight.

Looking for pricing, stock, or lifecycle information?

Click below to explore more details on WIN SOURCE:

 [View JXD6-0001NL on WIN SOURCE](#)

 [Pulse Information](#)

Optimize Your Supply Chain with WIN SOURCE Solutions

-  Global Sourcing Solution
-  Obsolete Management
-  Cost Control Management
-  Shortage Management
-  Alternative Solution
-  Excess Inventory Management