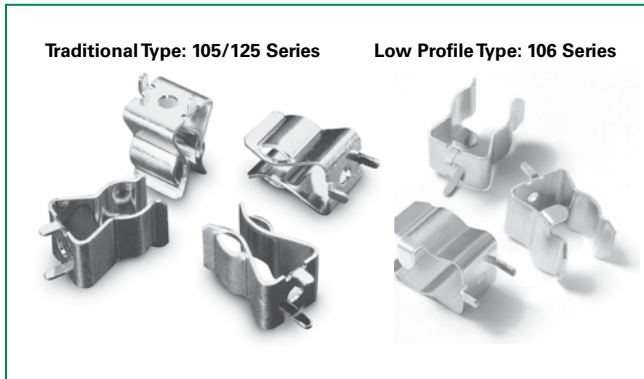




THE DATASHEET OF
01250003H



105/106/125 Series Circuit Board Mount Clips for Midget (13/32") Diameter Fuses



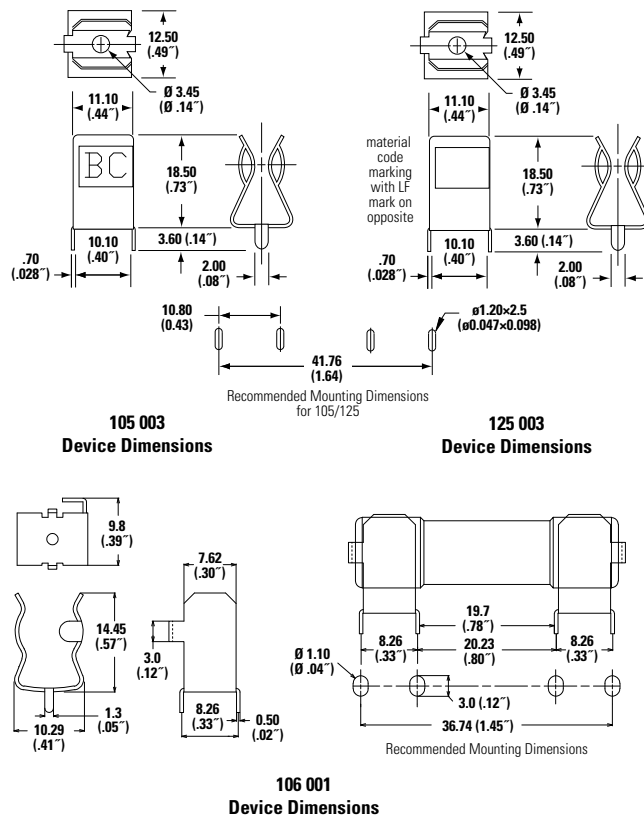
Product Characteristics

	105 Series	125 Series	106 Series
Compatible Fuse Size	13/32" Diameter Fuses (Midget Type Fuse)		
Current Levels	15A max	30A max	15A max

Agency Approval

Agency	Agency File Number		
	105 Series	125 Series	106 Series
cRUUS	E14721		N/A

Product Dimensions



Ordering Information

Ordering No.	Catalog No.	Clip Material*	Plating	Style	Packaging
01050003H	105 003	Spring Brass	Tin-plated	Ear	Bulk/100pcs
01250003H	125 003	Beryllium Copper	Tin-plated	Ear	Bulk/100pcs
01060001Z	106 001	Phosphor Bronze	Tin-plated	Ear	Bulk/100pcs

*"H" = std. package 100 pcs per pack
 "Z" = for bulk package

Additional Information



Datasheet 105 Series



Datasheet 106 Series



Datasheet 125 Series



Resources 105 Series



Resources 106 Series



Resources 125 Series



Samples 105 Series



Samples 106 Series



Samples 125 Series

Looking for pricing, stock, or lifecycle information?

Click below to explore more details on WIN SOURCE:

 [View 01250003H on WIN SOURCE](#)

 [Littelfuse Inc. Information](#)

Optimize Your Supply Chain with WIN SOURCE Solutions

-  Global Sourcing Solution
-  Obsolete Management
-  Cost Control Management
-  Shortage Management
-  Alternative Solution
-  Excess Inventory Management