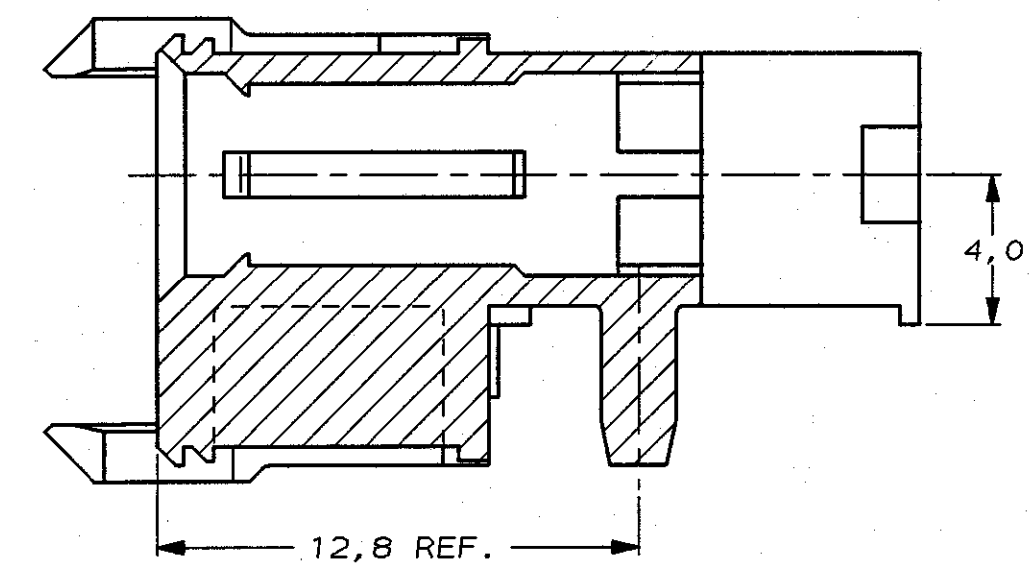
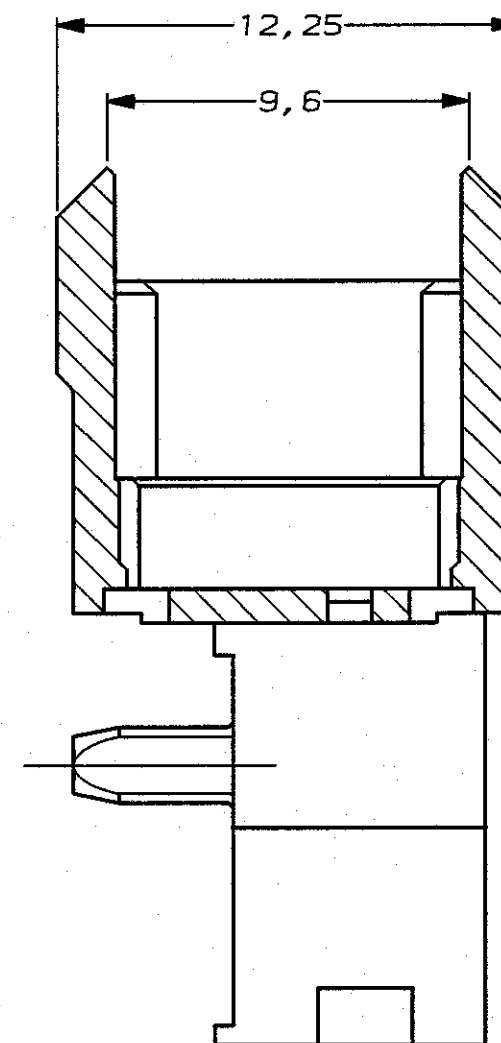
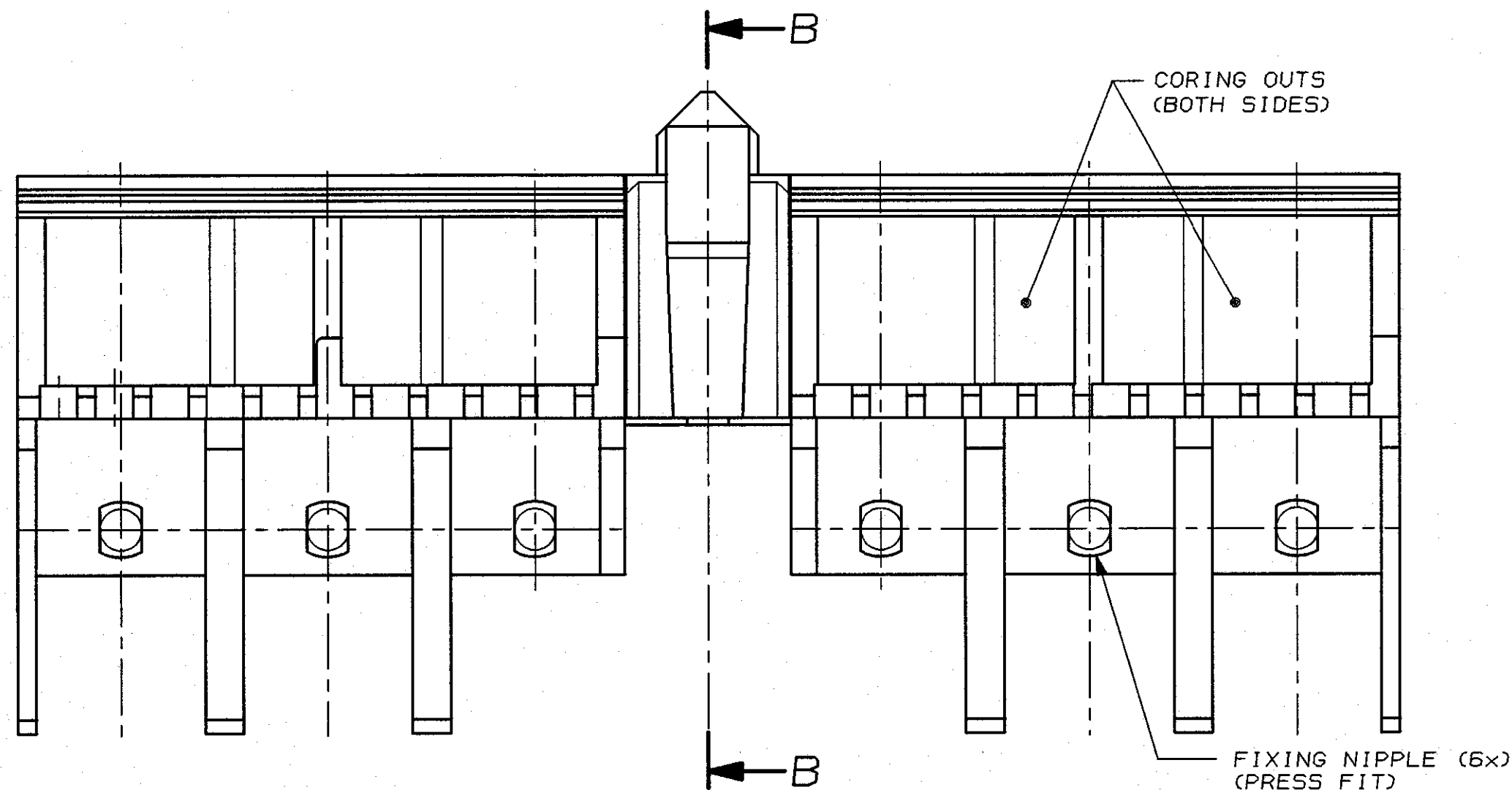
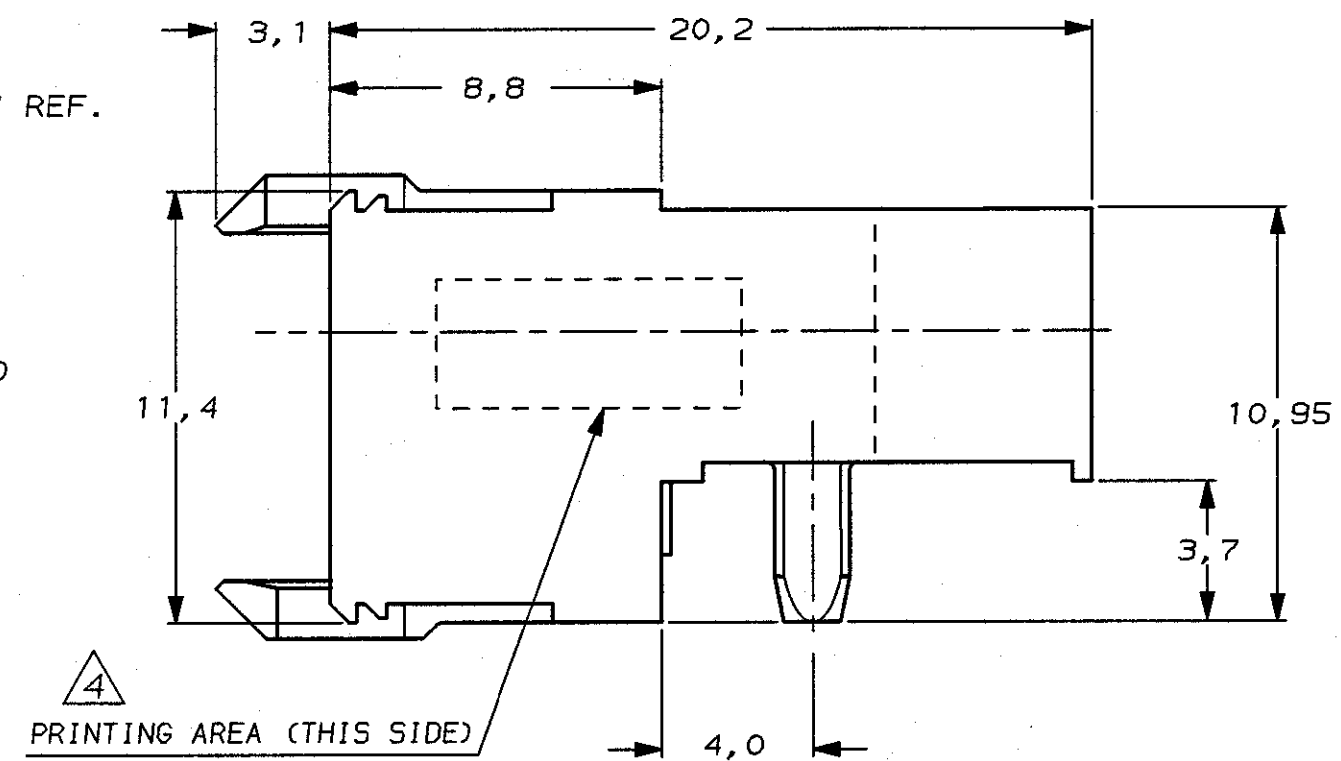
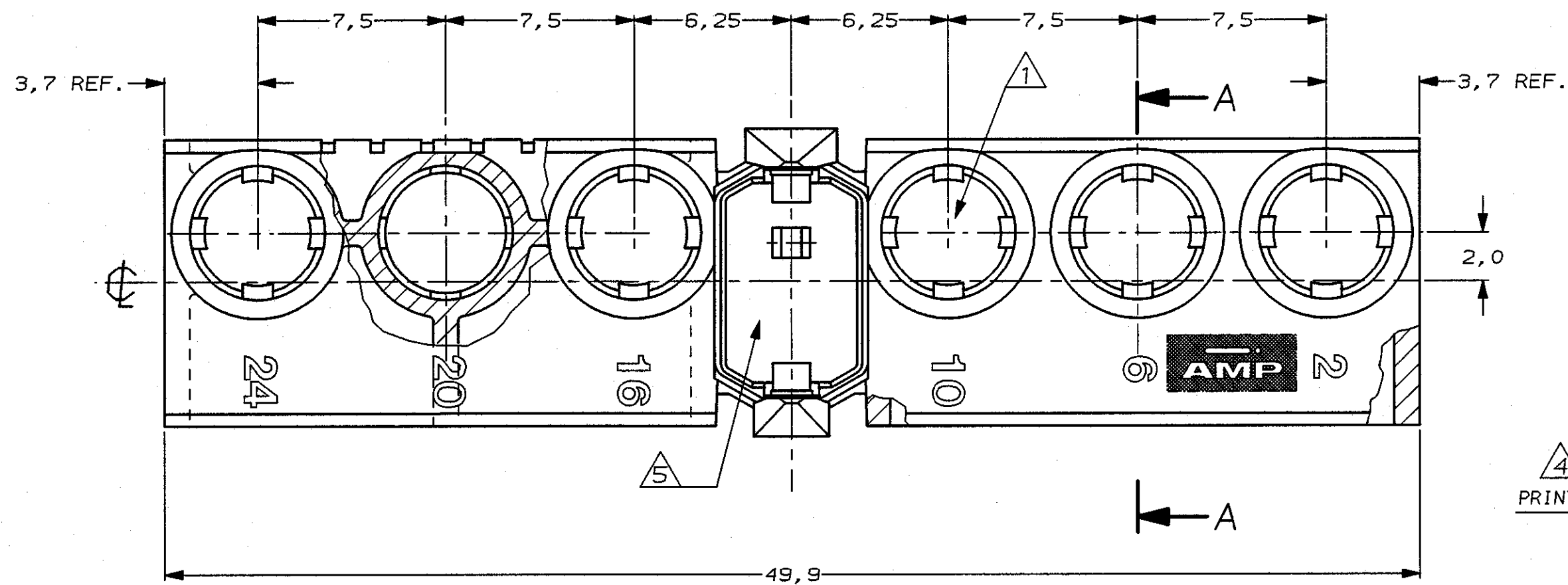




**THE DATASHEET OF**  
**100746-1**



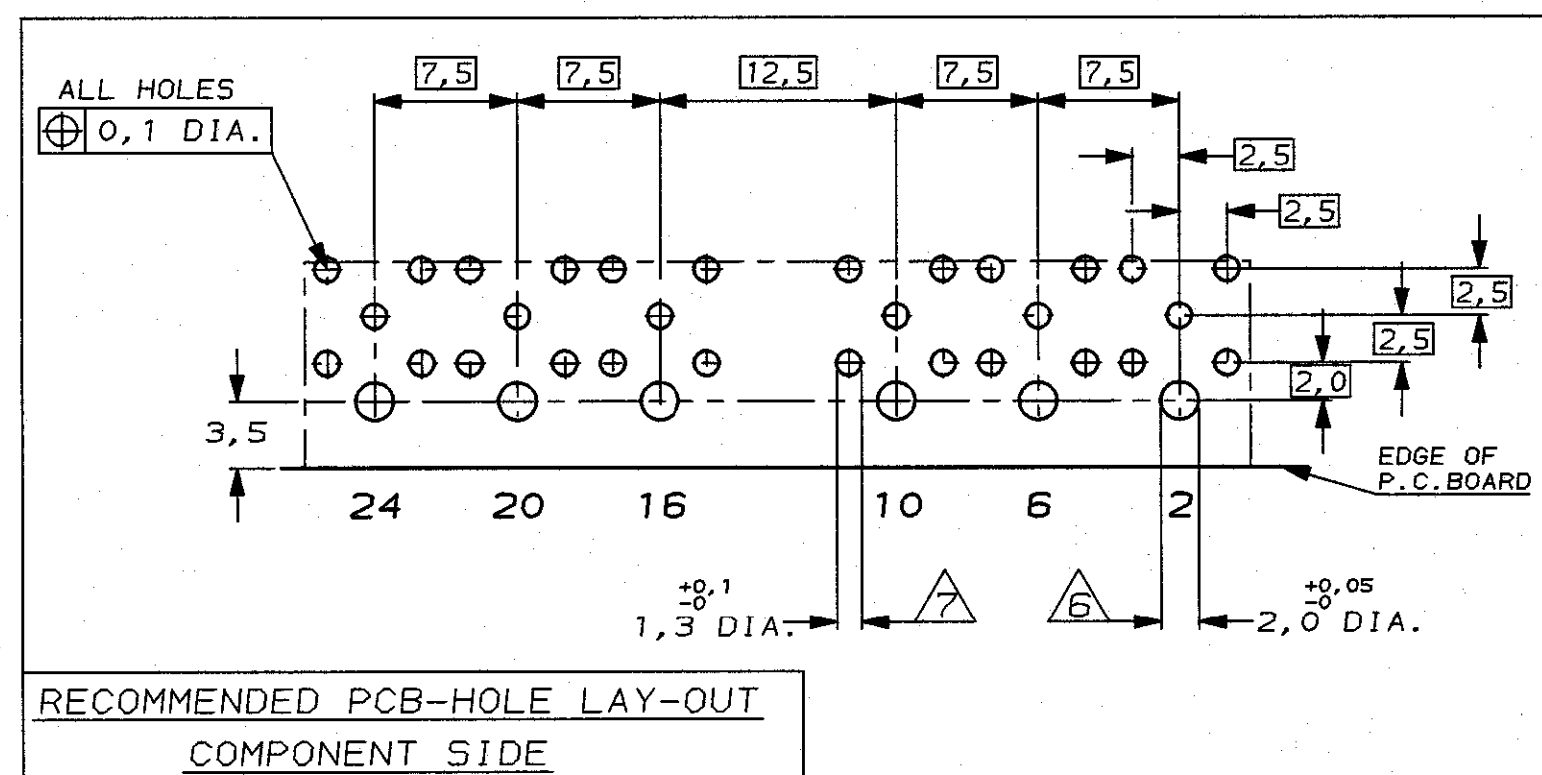


SECTION B-B

SECTION A-A

NOTES:

- △ CONTACT CAVITIES SUITABLE FOR 4,8 DIA. HIGH CURRENT, HIGH FREQUENCY OR FIBRE OPTIC CONTACTS AS PER DIN 41626 (SEE ALSO NOTE 6).
- △ MATERIAL HOUSING : GREY GLASSFILLED POLYESTER (PBT).
- △ MATERIAL HOUSING : GREY GLASSFILLED POLYMER (PCT).
- △ CONNECTOR PRINTED WITH PARTNUMBER AND DATECODE.
- △ AREA RESERVED FOR KEYING PART, BASIC P/N 100526.
- △ NOT PLATED-THROUGH HOLES (6x).
- △ 1,3 DIA. PLATED-THROUGH HOLES (30x) CAN BE OMITTED IF SPECIAL CONTACTS WITH CABLE CONNECTION OR FIBRE OPTIC CONTACTS ARE USED.



PRELIMINARY

| FINISH                                                                                                                                                                                                                       | MATERIAL   | PARTNUMBER                                          |
|------------------------------------------------------------------------------------------------------------------------------------------------------------------------------------------------------------------------------|------------|-----------------------------------------------------|
| -                                                                                                                                                                                                                            | 3          | 100746-3                                            |
| -                                                                                                                                                                                                                            | 2          | 100746-1                                            |
| CUSTOMER DRAWING FOR REFERENCE ONLY WILL NOT BE UPDATED                                                                                                                                                                      |            |                                                     |
| © COPYRIGHT 1993 BY AMP HOLLAND B.V. ALL INTERNATIONAL RIGHTS RESERVED. AMP PRODUCTS MAY BE COVERED BY U.S. AND FOREIGN AND/OR PATENTS PENDING. THIS DRAWING IS UNPUBLISHED AND/OR PATENTS PENDING. RELEASED FOR PUBLICATION |            |                                                     |
| AMP                                                                                                                                                                                                                          |            | AMP HOLLAND B.V. 's-Hertogenbosch, The Netherlands. |
| B                                                                                                                                                                                                                            | EH-0720-95 | E.D. B.M. 29-06-95                                  |
| A                                                                                                                                                                                                                            | H-9585     | B.M. B.M. 01-10-93                                  |
| LTR. REVISION RECORD                                                                                                                                                                                                         |            | DR. CHK. DATE                                       |
| DR.:                                                                                                                                                                                                                         | S.MEUMSEN  | CHK. B.HOOIJ                                        |
| APP.:                                                                                                                                                                                                                        | L.V.SOEST  | DATE: 13 APR 1992                                   |
| DATE:                                                                                                                                                                                                                        | 12 MAR 92  | DATE: 23 MAR 1992                                   |
| DWG. No. C-100746                                                                                                                                                                                                            |            | REV. LTR. SHEET B 1 of 1 A2                         |

## Looking for pricing, stock, or lifecycle information?

Click below to explore more details on WIN SOURCE:

 [View 100746-1 on WIN SOURCE](#)

 [TE Connectivity](#) Information

## Optimize Your Supply Chain with WIN SOURCE Solutions

-  Global Sourcing Solution
-  Obsolete Management
-  Cost Control Management
-  Shortage Management
-  Alternative Solution
-  Excess Inventory Management