



**THE DATASHEET OF**  
**1661M**



**POWER FACTOR CORRECTION CONTROLLER**
**AP1661**
**General Description**

The AP1661 is an active power factor control IC which is designed mainly for use as pre-converter in electronic ballast, AC-DC adapters and off-line SMPS applications.

The AP1661 includes an internal start-up timer for stand-alone applications, a one-quadrant multiplier to realize near unity power factor and a zero current detector to ensure DCM boundary conduction operation. The totem pole output stage is capable of driving power MOSFET with 600mA source current and 800mA sink current.

Designed with advanced BiCMOS process, the AP1661 features low start-up current, low operation current and low power dissipation. The AP1661 also has rich protection features including over-voltage protection, input under-voltage lockout with hysteresis and multiplier output clamp to limit maximum peak current.

This IC is available in SOIC-8 and DIP-8 packages.

**Features**

- Zero Current Detection Control for DCM Boundary Conduction Mode
- Adjustable Output Voltage with Precise Over-Voltage Protection
- Low Start-up Current with 50 $\mu$ A Typical Value
- Low Operating Supply Current with 4mA Typical Value
- 1% Precision Internal Reference Voltage
- Internal Start-up Timer
- Disable Function for Reduced Current Consumption
- Totem Pole Output with 600mA Source Current and 800mA Sink Current Capability
- Under-Voltage Lockout with 2.5V of Hysteresis

**Applications**

- AC-DC Adapter
- Off-line SMPS
- Electronic Ballast

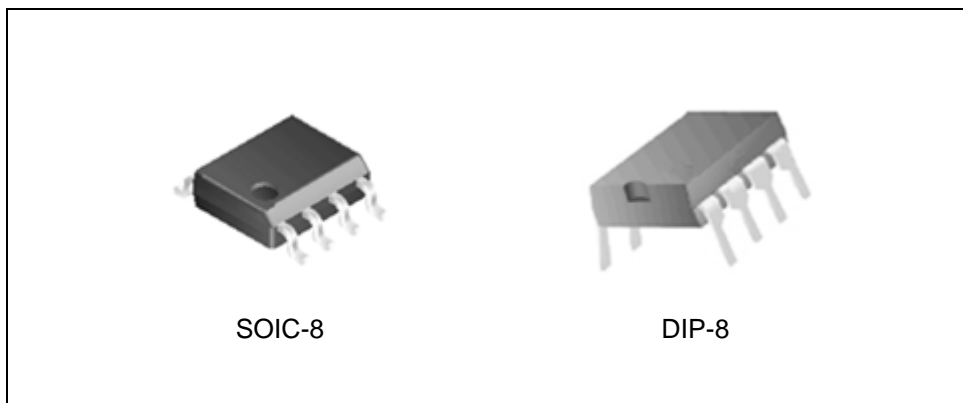


Figure 1. Package Types of AP1661

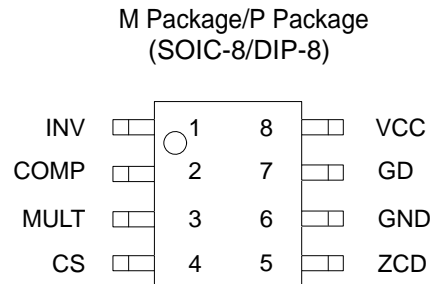
**POWER FACTOR CORRECTION CONTROLLER**
**AP1661**
**Pin Configuration**


Figure 2. Pin Configuration of AP1661 (Top View)

**Pin Description**

Pin Number	Pin Name	Function
1	INV	Inverting input of the error amplifier
2	COMP	Output of the error amplifier
3	MULT	Input of the multiplier
4	CS	Input of the current control loop comparator
5	ZCD	Zero current detection input. If it is connected to GND, the device is disabled
6	GND	Ground. Current return for gate driver and control circuits of the IC
7	GD	Gate driver output
8	VCC	Supply voltage of gate driver and control circuits of the IC

**POWER FACTOR CORRECTION CONTROLLER**

**AP1661**

**Functional Block Diagram**

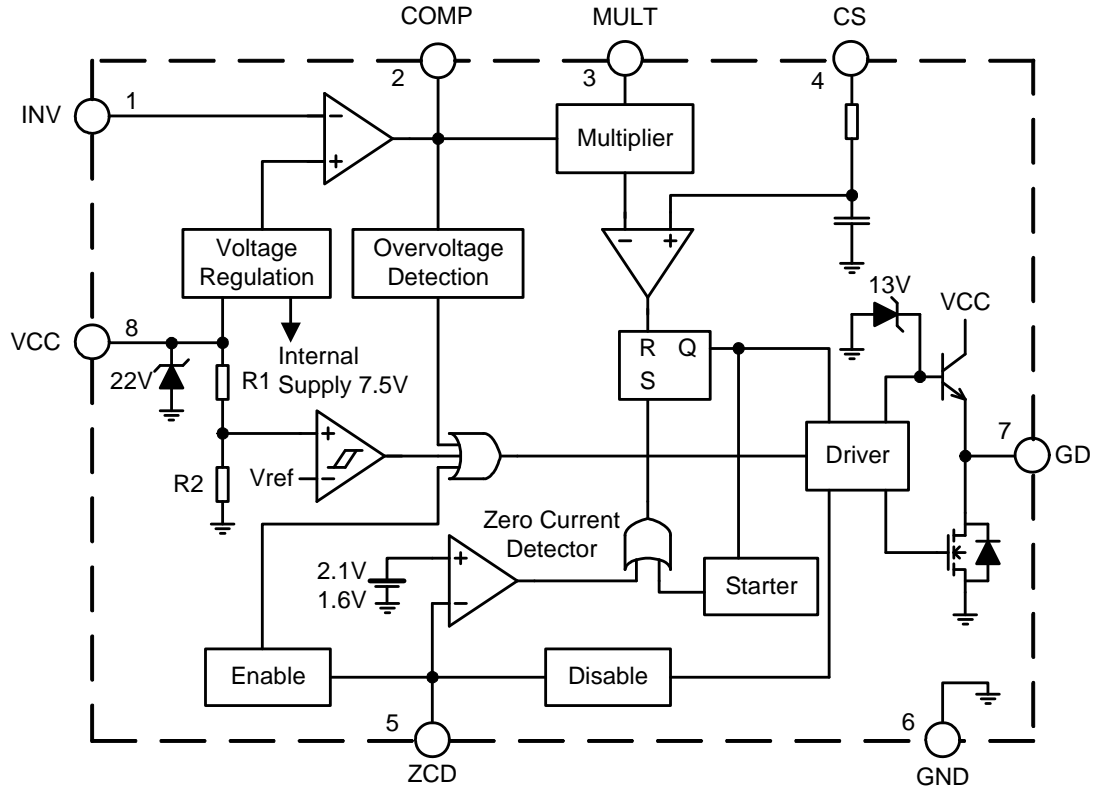
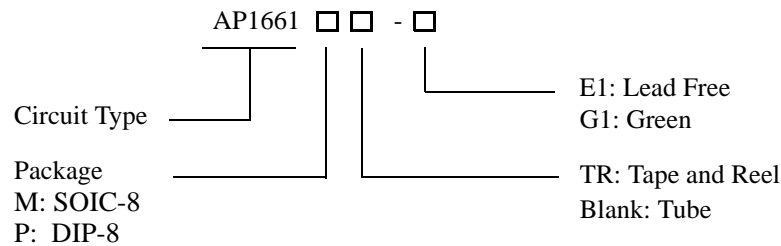


Figure 3. Functional Block Diagram of AP1661

**Ordering Information**



Package	Temperature Range	Part Number		Marking ID		Packing Type
		Lead Free	Green	Lead Free	Green	
SOIC-8	-40 to 85°C	AP1661M-E1	AP1661M-G1	1661M-E1	1661M-G1	Tube
		AP1661MTR-E1	AP1661MTR-G1	1661M-E1	1661M-G1	Tape & Reel
DIP-8	-40 to 85°C	AP1661P-E1	AP1661P-G1	AP1661P-E1	AP1661P-G1	Tube

BCD Semiconductor's Pb-free products, as designated with "E1" suffix in the part number, are RoHS compliant. Products with "G1" suffix are available in green packages.

**POWER FACTOR CORRECTION CONTROLLER****AP1661****Absolute Maximum Ratings (Note 1)**

Parameter	Symbol	Value		Unit
Power Supply Voltage	$V_{CC}$	20		V
Operating Supply Current	$I_{CC}$	30		mA
Driver Output Current	$I_{OUT}$	$\pm 800$		mA
Input/Output of Error Amplifier, Input of Multiplier	$V_{INV}$ , $V_{COMP}$ $V_{MULT}$	-0.3 to 7		V
Current Sense Input	$V_{CS}$	-0.3 to 7		V
Zero Current Detector Input	$I_{ZCD}$	Source	-50	mA
		Sink	10	
Thermal Resistance Junction-Ambient	$R_{\theta JA}$	DIP-8	100	$^{\circ}C/W$
		SOIC-8	150	
Power Dissipation and Thermal Characteristics @ $T_A=50^{\circ}C$	$P_{TOT}$	DIP-8	1	W
		SOIC-8	0.65	
Operating Junction Temperature	$T_J$	-40 to 150		$^{\circ}C$
Storage Temperature Range	$T_{STG}$	-65 to 150		$^{\circ}C$
Lead Temperature (Soldering, 10 Seconds)	$T_{LEAD}$	260		$^{\circ}C$
ESD (Human Body Model)		3000		V
ESD (Machine Model)		300		V

Note 1: Stresses greater than those listed under "Absolute Maximum Ratings" may cause permanent damage to the device. These are stress ratings only, and functional operation of the device at these or any other conditions beyond those indicated under "Recommended Operating Conditions" is not implied. Exposure to "Absolute Maximum Ratings" for extended periods may affect device reliability.



**POWER FACTOR CORRECTION CONTROLLER**

**AP1661**

**Electrical Characteristics**

V<sub>CC</sub>=14.5V, T<sub>A</sub>=-25°C to 125°C, unless otherwise specified.

Parameter	Symbol	Test Conditions	Min	Typ	Max	Unit
<b>Under Voltage Lockout Section</b>						
Turn-on Threshold	V <sub>CC-ON</sub>	V <sub>CC</sub> rising	11	12	13	V
Turn-off Threshold	V <sub>CC-OFF</sub>	V <sub>CC</sub> falling	8.7	9.5	10.3	V
Hysteresis	V <sub>CC-HYS</sub>		2.2	2.5	2.8	V
V <sub>CC</sub> Operating Range	V <sub>CC</sub>	After turn-on	10.3		20	V
<b>Total Supply Section</b>						
Start-up Current	I <sub>START-UP</sub>	V <sub>CC</sub> =11V before turn-on	20	50	90	μA
Operating Supply Current	I <sub>CC</sub>	C <sub>L</sub> =1nF @frequency=70KHz		4	5.5	mA
		In OVP condition V <sub>pin1</sub> =2.7V		1.4	2.1	
Quiescent Current	I <sub>Q</sub>			2.6	4	mA
Quiescent Current	I <sub>Q</sub>	V <sub>pin5</sub> ≤150mV, V <sub>CC</sub> >V <sub>CC-OFF</sub>		1.4	2.1	mA
		V <sub>pin5</sub> ≤150mV, V <sub>CC</sub> <V <sub>CC-OFF</sub>	20	50	90	μA
V <sub>CC</sub> Zener Voltage	V <sub>Z</sub>	I <sub>CC</sub> =20mA	20	22	24	V
<b>Error Amplifier Section</b>						
Voltage Feedback Input Threshold	V <sub>INV</sub>	T <sub>A</sub> =25 °C	2.465	2.5	2.535	V
		10.3V<V <sub>CC</sub> <20V	2.44		2.56	
Line Regulation		V <sub>CC</sub> =10.3V to 20V		2	5	mV
Input Bias Current	I <sub>INV</sub>	V <sub>INV</sub> =0V		-0.1	-1	μA
Voltage Gain	G <sub>V</sub>	Open Loop	60	80		dB
Gain Bandwidth	GB			1		MHz
Output Voltage	Upper Clamp Voltage	V <sub>COMP-H</sub>	I <sub>SOURCE</sub> =0.5mA		5.8	V
	Lower Clamp Voltage	V <sub>COMP-L</sub>	I <sub>SINK</sub> =0.5mA		2.25	
Output Current	Source Current	I <sub>COMP-H</sub>	V <sub>COMP</sub> =4V, V <sub>INV</sub> =2.4V	-2	-4	mA
	Sink Current	I <sub>COMP-L</sub>	V <sub>COMP</sub> =4V, V <sub>INV</sub> =2.6V	2.5	4.5	
Enable Threshold	V <sub>INV-TH</sub>				720	mV
<b>Multiplier Section</b>						
Linear Input Voltage Range	V <sub>MULT</sub>		0 to 3	0 to 3.5		V
Output Maximum Slope	ΔV <sub>CS</sub> / ΔV <sub>MULT</sub>	V <sub>MULT</sub> : 0 to 0.5V, V <sub>COMP</sub> =Upper Clamp Voltage		1.7		
Gain	k	V <sub>MULT</sub> =1V, V <sub>COMP</sub> =4V	0.45	0.6	0.75	1/V



**POWER FACTOR CORRECTION CONTROLLER** **AP1661**

**Electrical Characteristics (Continued)**

V<sub>CC</sub>=14.5V, T<sub>A</sub>=-25°C to 125°C, unless otherwise specified.

Parameter	Symbol	Test Conditions	Min	Typ	Max	Unit
<b>Current Sense Section</b>						
Input Bias Current	I <sub>CS</sub>	V <sub>CS</sub> =0V		-0.05	-1.0	μA
Current Sense Offset Voltage	V <sub>CS-OFFSET</sub>	V <sub>MULT</sub> =0V		30		mV
		V <sub>MULT</sub> =2.5V		5		
Current Sense Reference Clamp	V <sub>CS-CLAMP</sub>	V <sub>COMP</sub> =Upper Clamp Voltage, V <sub>MULT</sub> =2.5V	1.6	1.7	1.8	V
Delay to Output	t <sub>d(H-L)</sub>			200	450	ns
<b>Zero Current Detection Section</b>						
Input Threshold Voltage, V <sub>ZCD</sub> Rising Edge	V <sub>ZCD-R</sub>	(Note 2)		2.1		V
Hysteresis Voltage	V <sub>ZCD-RTH</sub>	(Note 2)	0.3	0.5	0.7	V
Upper Clamp Voltage	V <sub>ZCD-H</sub>	I <sub>ZCD</sub> =20μA	4.5	5.1	5.9	V
		I <sub>ZCD</sub> =3mA	4.7	5.2	6.1	
Lower Clamp Voltage	V <sub>ZCD-L</sub>	I <sub>ZCD</sub> =-3mA	0.3	0.65	1	V
Source Current Capability	I <sub>ZCD-SR</sub>		-3		-10	mA
Sink Current Capability	I <sub>ZCD-SN</sub>		3		10	mA
Sink Bias Current	I <sub>ZCD-B</sub>	1V≤V <sub>ZCD</sub> ≤4.5 V		2		μA
Disable Threshold	V <sub>ZCD-DIS</sub>		150	200	250	mV
Disable Hysteresis	V <sub>ZCD-HYS</sub>			100		mV
Restart Current After Disable	I <sub>ZCD-RES</sub>	V <sub>ZCD</sub> <V <sub>DIS</sub> ; V <sub>CC</sub> >V <sub>CC-OFF</sub>	-100	-200	-300	μA
<b>Drive Output Section</b>						
Dropout Voltage	V <sub>OH</sub>	I <sub>GD-SOURCE</sub> =200 mA, V <sub>CC</sub> =12V		2.5	3	V
		I <sub>GD-SOURCE</sub> =20 mA, V <sub>CC</sub> =12V		2	2.6	
	V <sub>OL</sub>	I <sub>GD-SINK</sub> =200 mA, V <sub>CC</sub> =12V		0.9	1.9	V
Output Voltage Rise Time	t <sub>R</sub>	C <sub>L</sub> =1nF		40	100	ns
Output Voltage Fall Time	t <sub>F</sub>	C <sub>L</sub> =1nF		40	100	ns
Output Clamp Voltage	V <sub>O-CLAMP</sub>	I <sub>GD-SOURCE</sub> =5 mA, V <sub>CC</sub> =20V	10	13	15	V
UVLO Saturation	V <sub>OS</sub>	V <sub>CC</sub> =0 to V <sub>CC-ON</sub> , I <sub>SINK</sub> =10mA			1.1	V
<b>Output Over Voltage Section</b>						
OVP Triggering Current	I <sub>OVP</sub>		35	40	45	μA
Static OVP Threshold	V <sub>OVP_TH</sub>		2.1	2.25	2.4	V
<b>Restart Timer</b>						
Restart Timer	t <sub>START</sub>		70	150	400	μs

Note 2: Limits over the full temperature are guaranteed by design, but not tested in production.



**Typical Performance Characteristics**

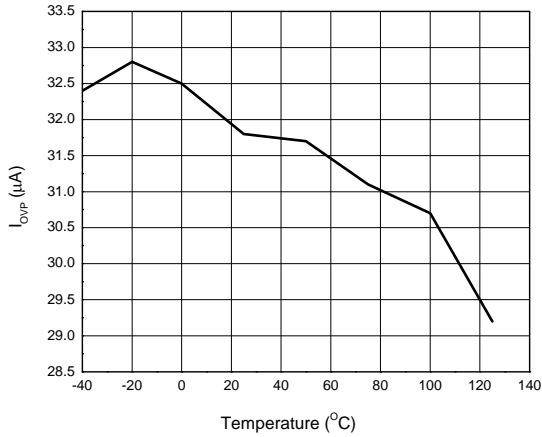


Figure 4. OVP Current Threshold vs. Temperature

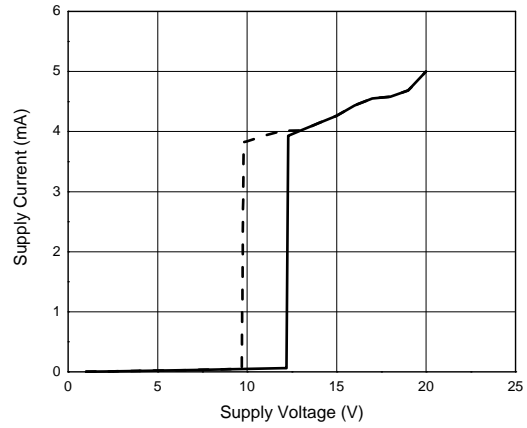


Figure 5. Supply Current vs. Supply Voltage

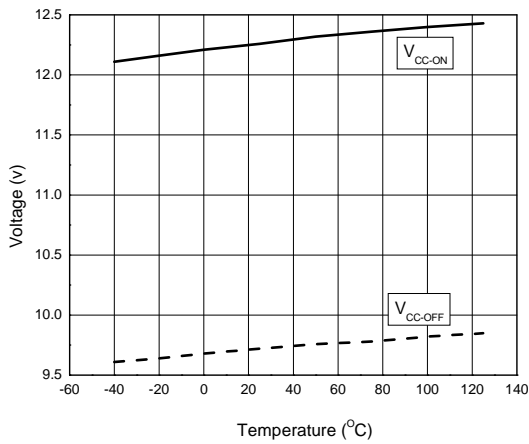


Figure 6. Under Voltage Lockout Threshold vs. Temperature

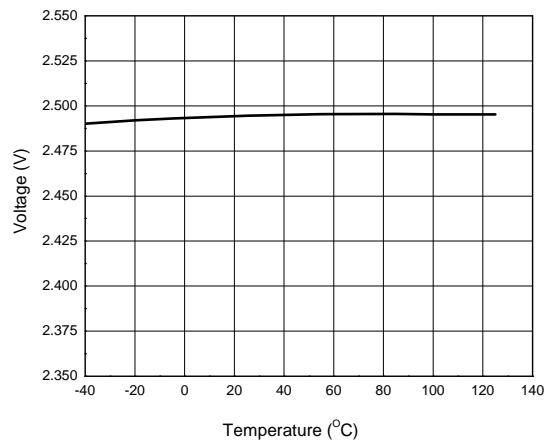


Figure 7. Voltage Feedback Input Threshold vs. Temperature



**Typical Performance Characteristics (Continued)**

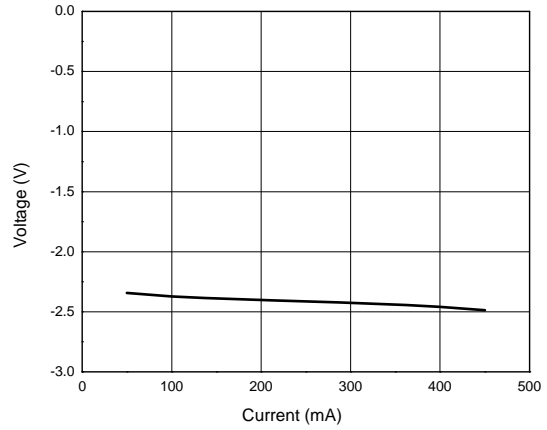
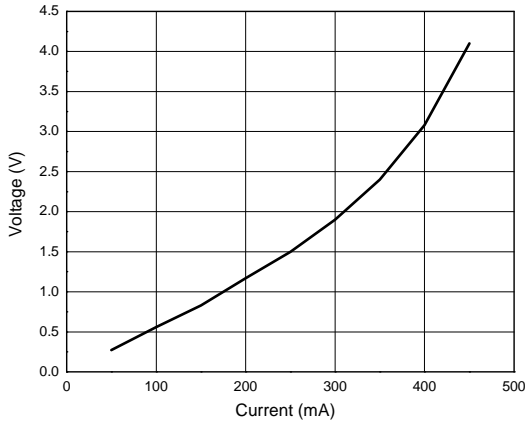


Figure 8. Output Saturation Voltage vs. Sink Current

Figure 9. Output Saturation Voltage vs. Source Current

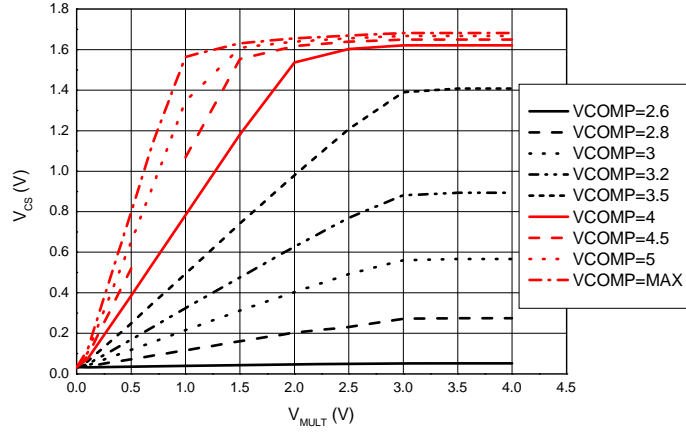


Figure 10. Multiplier Characteristics Family

**POWER FACTOR CORRECTION CONTROLLER**

**AP1661**

**Functional Block Description**

AP1661 is a high performance power factor correction controller which operates in DCM boundary conduction mode. The PFC converter's switch will be turned on when the inductor current reduces to zero and turned off when the sensed inductor current reaches the required reference which is decided by the output of multiplier.

**Error Amplifier and Over-Voltage Protection**

The error amplifier regulates the PFC output voltage. The internal reference on the non-inverting input of the error amplifier is 2.5V. The error amplifier's inverting input (INV) is connected to an external resistor divider which senses the output voltage. The output of error amplifier is one of the two inputs of multiplier. A compensation loop is connected outside between INV and the error amplifier output. Normally, the compensation loop bandwidth is set very low to realize high power factor for PFC converter.

To make the over voltage protection fast, the internal OVP function is added. If the output over voltage happens, excess current will flow into the output pin of the error amplifier through the feedback compensation capacitor. (see Figure 11) The AP1661 monitors the current flowing into the error amplifier output pin. When the detected current is higher than 40μA, the

dynamic OVP is triggered. The IC will be disabled and the drive signal is stopped. If the output over voltage lasts so long that the output of error amplifier goes below 2.25V, static OVP will take place. Also the IC will be disabled until the output of error amplifier goes back to its linear region. R1 and R2 (see Fig. 11) will be selected as below:

$$\frac{R1}{R2} = \frac{Vo}{2.5V} - 1$$

$$R1 = \frac{\Delta V_{OVP}}{40\mu A}$$

**Multiplier**

The multiplier has two inputs. One (Pin 3) is the divided AC sinusoidal voltage which makes the current sense comparator threshold voltage vary from zero to peak value. The other input is the output of error amplifier (Pin 2). In this way, the input average current wave will be sinusoidal as well as reflects the load status. Accordingly a high power factor and good THD are achieved. The multiplier transfer character is designed to be linear over a wide dynamic range, namely, 0 V to 3V for Pin 3 and 2.0 V to 5.8 V for Pin 2. The relationship between the multiplier output and inputs is described as below equation.

$$V_{CS} = k \times (V_{COMP} - 2.5) \times V_{MULT}$$

where  $V_{CS}$  (Multiplier output) is the reference for the current sense,  $k$  is the multiplier gain,  $V_{COMP}$  is the voltage on pin 2 (error amplifier output) and  $V_{MULT}$  is the voltage on pin 3.

**Current Sense/Current Sense Comparator**

The PFC switch's turn-on current is sensed through an external resistor in series with the switch. When the sensed voltage exceeds the threshold voltage (the multiplier output), the current sense comparator will become low and the external MOSFET will be turned off. This insures a cycle-by-cycle current mode control operation. The maximum current sense reference is 1.8V. The max value usually happens at startup process or abnormal conditions such as short load.

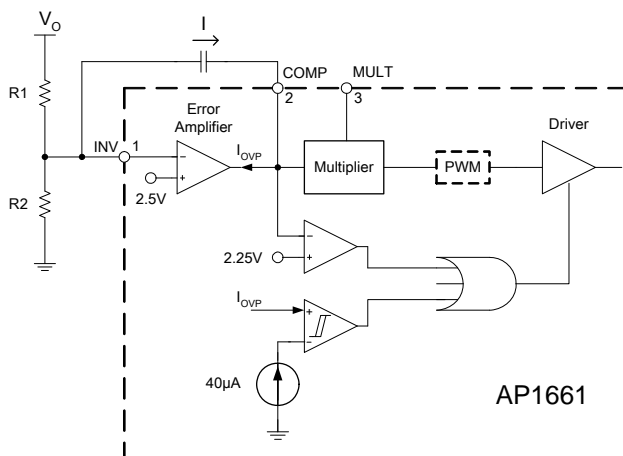


Figure 11. Error Amplifier and OVP Block

**POWER FACTOR CORRECTION CONTROLLER**

**AP1661**

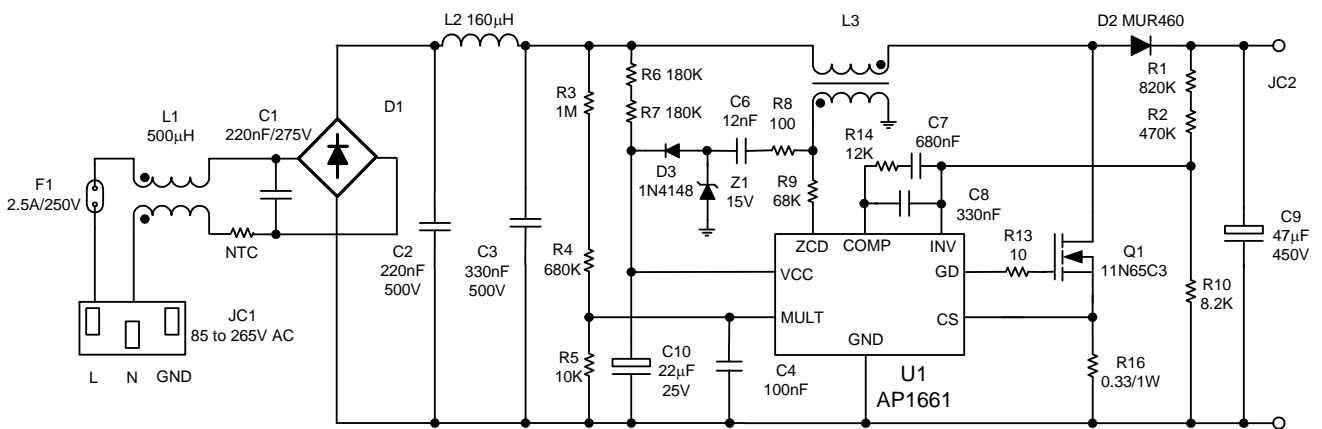
**Functional Block Description  
(Continued)**

**Zero Current Detection**

AP1661 is a DCM boundary conduction current mode PFC controller. Usually, the zero current detection (ZCD) voltage signal comes from the auxiliary winding of the boost inductor. When the ZCD pin

voltage decreases below 1.6V, the gate drive signal becomes high to turn on the external MOSFET. 500mV of hysteresis is provided to avoid false triggering. The ZCD pin can be used for disabling the IC. Making its voltage below 0.15V or short to the ground will disable the device thus reduce the IC supply current consumption.

**Typical Application**



L3:  
Core type RM10, material 3C90  
primary: 660uH, 66 turns of litze wire 0.1mm\*30  
secondary: 7 turns wire of 0.2mm

Figure 12. 85 to 265V Wide Range Input 90W PFC Demo Board Electrical Schematic Circuit



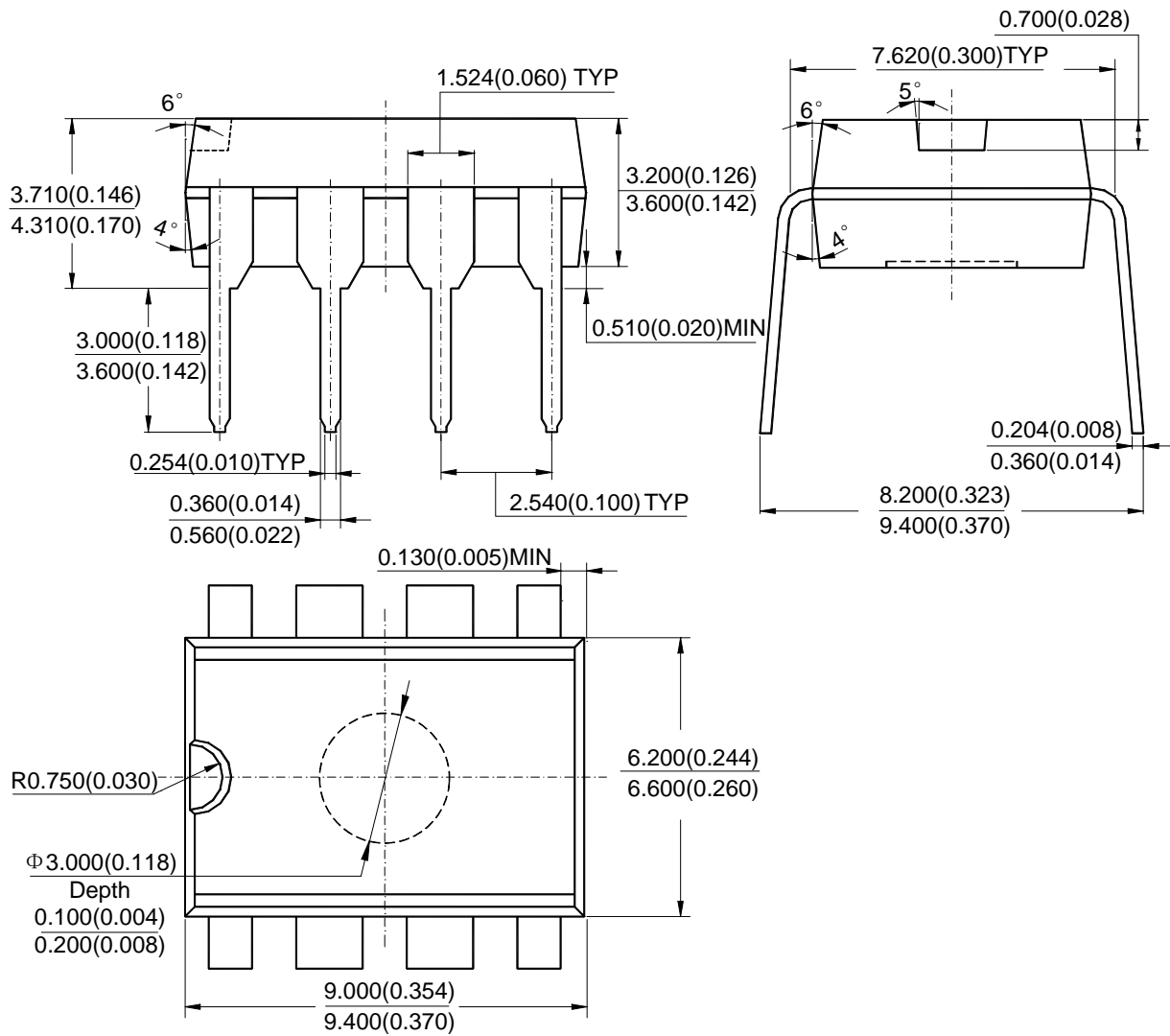
**POWER FACTOR CORRECTION CONTROLLER**

**AP1661**

**Mechanical Dimensions**

**DIP-8**

**Unit: mm(inch)**





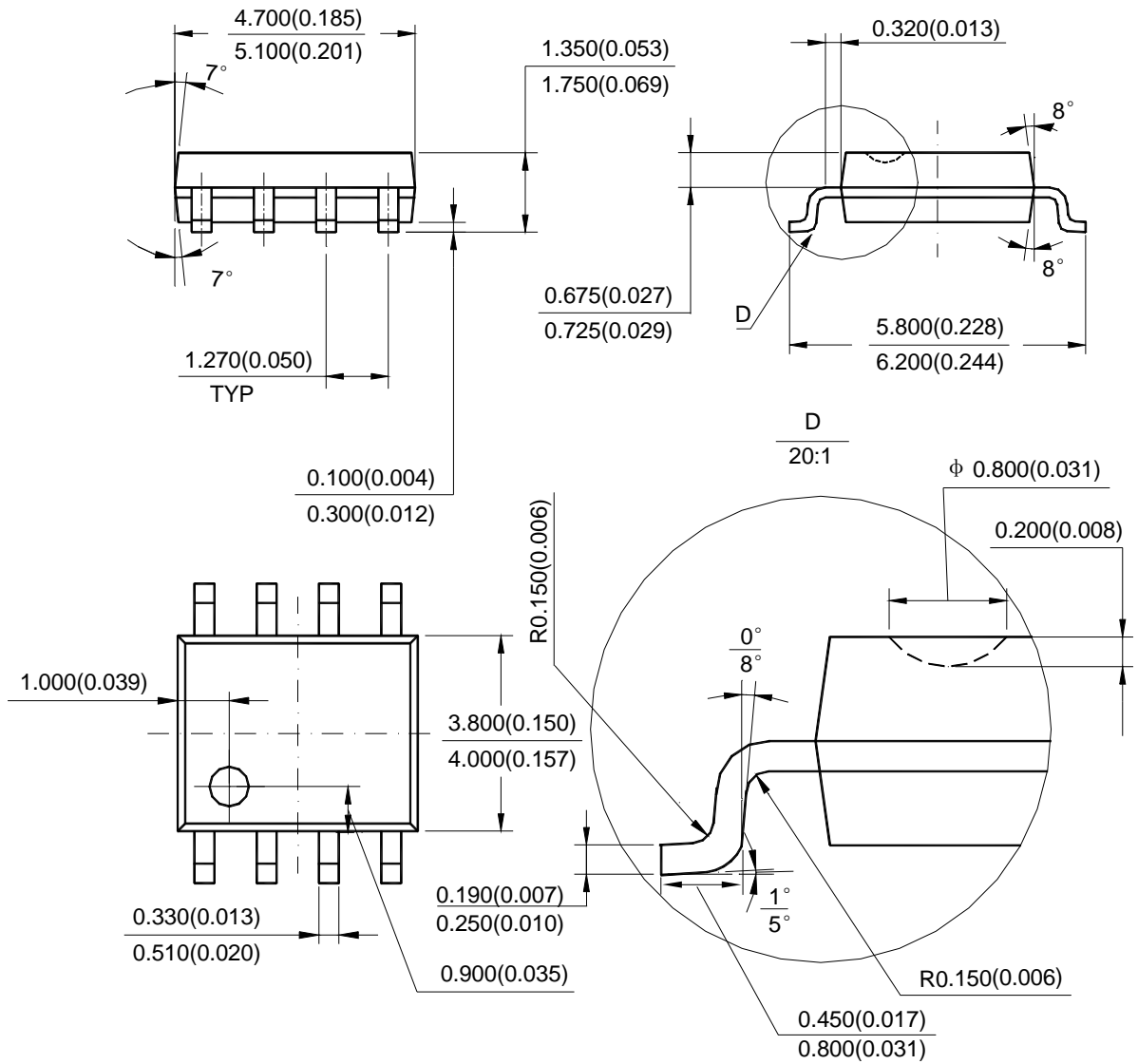
**POWER FACTOR CORRECTION CONTROLLER**

**AP1661**

**Mechanical Dimensions (Continued)**

**SOIC-8**

**Unit: mm(inch)**





## **BCD Semiconductor Manufacturing Limited**

<http://www.bcdsemi.com>

### **IMPORTANT NOTICE**

BCD Semiconductor Manufacturing Limited reserves the right to make changes without further notice to any products or specifications herein. BCD Semiconductor Manufacturing Limited does not assume any responsibility for use of any its products for any particular purpose, nor does BCD Semiconductor Manufacturing Limited assume any liability arising out of the application or use of any its products or circuits. BCD Semiconductor Manufacturing Limited does not convey any license under its patent rights or other rights nor the rights of others.

---

#### **MAIN SITE**

##### **- Headquarters**

##### **BCD Semiconductor Manufacturing Limited**

No. 1600, Zi Xing Road, Shanghai Zizhu Science-based Industrial Park, 200241, China  
Tel: +86-21-24162266, Fax: +86-21-24162277

##### **- Wafer Fab**

##### **Shanghai SIM-BCD Semiconductor Manufacturing Co., Ltd.**

800 Yi Shan Road, Shanghai 200233, China  
Tel: +86-21-6485 1491, Fax: +86-21-5450 0008

#### **REGIONAL SALES OFFICE**

##### **Shenzhen Office**

##### **Shanghai SIM-BCD Semiconductor Manufacturing Co., Ltd., Shenzhen Office**

Unit A Room 1203, Skyworth Bldg., Gaoxin Ave. 1.S., Nanshan District, Shenzhen, China  
Tel: +86-755-8826 7951  
Fax: +86-755-8826 7865

##### **Taiwan Office**

##### **BCD Semiconductor (Taiwan) Company Limited**

4F, 298-1, Rui Guang Road, Nei-Hu District, Taipei, Taiwan  
Tel: +886-2-2656 2808  
Fax: +886-2-2656 2806

##### **USA Office**

##### **BCD Semiconductor Corp.**

30920 Huntwood Ave. Hayward, CA 94544, USA  
Tel : +1-510-324-2988  
Fax: +1-510-324-2788

## Looking for pricing, stock, or lifecycle information?

Click below to explore more details on WIN SOURCE:

- [View 1661M on WIN SOURCE](#)
- [Diodes Incorporated Information](#)

## Optimize Your Supply Chain with WIN SOURCE Solutions

- ✓ Global Sourcing Solution
- ✓ Obsolete Management
- ✓ Cost Control Management
- ✓ Shortage Management
- ✓ Alternative Solution
- ✓ Excess Inventory Management