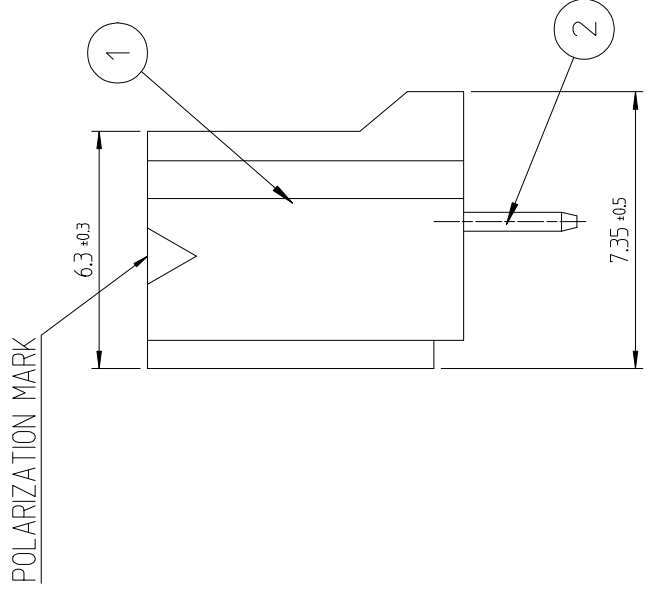
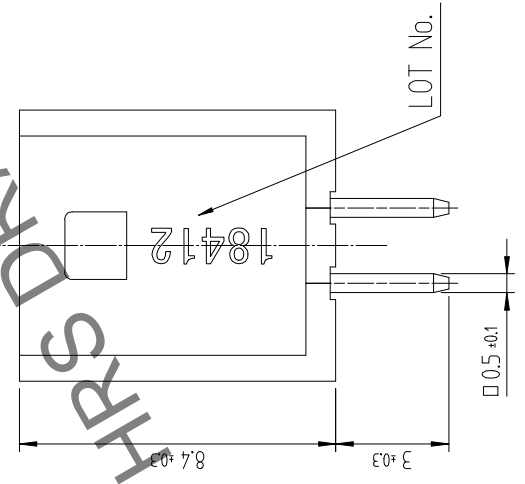
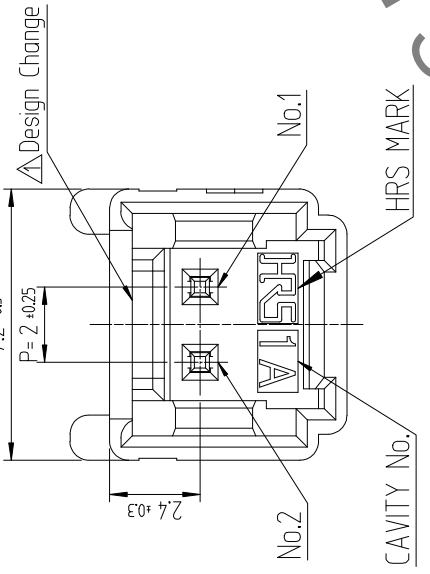




**THE DATASHEET OF  
DF51K-2P-2DSA(800)**



△	數	訂正事項	6
	COUNT	DESCRIPTION OF REVISIONS	SB
△	1	RE-6-1150	K.I.
△	2	RE-6-1579	K.I.
△			



DF51K-2S-2C

DF51K-2P-2DS

- NOTE 1. 1PACK CONTAINS 100PCS.
- 2. ( ) DIMENSIONS ARE ONLY REFERENCE.
- △ 3. UL(File No. E132750) AUTHORIZATION ARTICLE.  
C-UL(File No. E132750) AUTHORIZATION ARTICLE.



1	△ PA66	UL9
NO.	MATERIAL	FIN
CODE NO. (OLD)		
DRAWING NO. EDC3-632		
SCALE	5:1	
UNITS	mm	
<b>HRS</b> HIROSE KOREA		

HRS DRAWING FOR REFERENCE

## Looking for pricing, stock, or lifecycle information?

Click below to explore more details on WIN SOURCE:

[View DF51K-2P-2DSA\(800\) on WIN SOURCE](#)

[Hirose Electric Co Ltd Information](#)

## Optimize Your Supply Chain with WIN SOURCE Solutions

- ✓ Global Sourcing Solution
- ✓ Obsolete Management
- ✓ Cost Control Management
- ✓ Shortage Management
- ✓ Alternative Solution
- ✓ Excess Inventory Management