



**THE DATASHEET OF
SLEH-001T-P0.15**

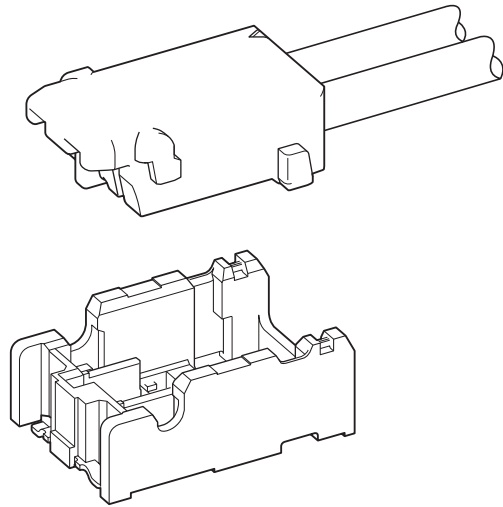




LEH CONNECTOR



1.8mm pitch/For LED Lamp/Disconnectable Crimp style connectors



Considering about the luminescence property of LED package and the mating operability, this LEH connector is designed as low profile type connector for LED lighting, and achieves the space saving. In consideration of connector mating operation to the LED mounting PCB that is integrated in the equipment, side-feed mechanism that provides to enable mating the connector from right above is adopted, and secure lock and mechanism for preventing wrong insertion are provided.

- Low profile and space saving design
Mounting height at connector mounting side : 3mm
- Secure locking mechanism
- Mechanism for preventing wrong insertion
- Halogen-free and RoHS compliant

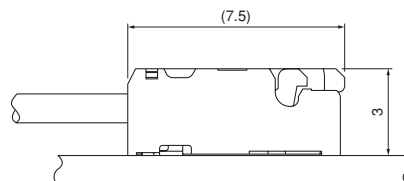
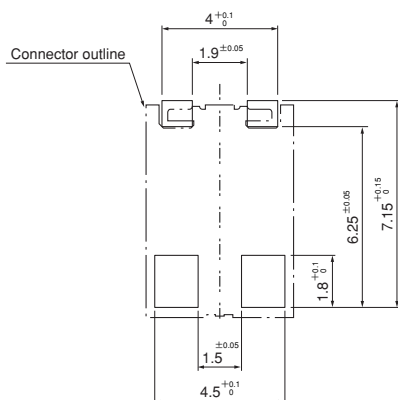
Specifications

- Current rating: 3A AC, DC (AWG #22)
- Voltage rating: 300V AC, DC
- Temperature range: -55°C to +105°C
(including temperature rise in applying electrical current)
- Contact resistance: Initial value/ 10m Ω max.
After environmental testing/ 20m Ω max.
- Insulation resistance: 1,000M Ω min.
- Withstanding voltage: 800V AC/minute
- Applicable wire: Conductor size/ AWG #26 to #22
Insulation O.D./ 0.95 to 1.3mm

- * Compliant with RoHS.
- * Refer to "General Instruction and Notice when using Terminals and Connectors" at the end of this catalog.
- * Contact JST for details.

Table of product combinations

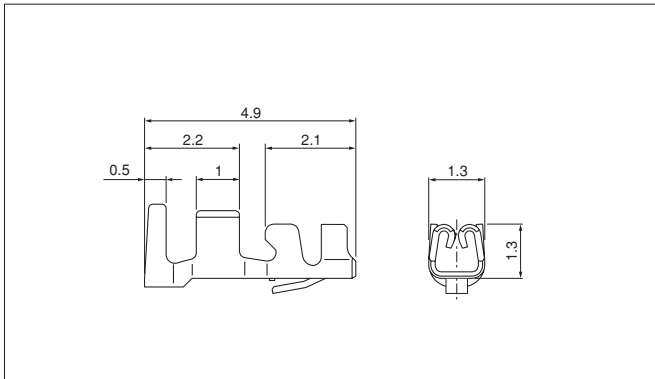
Key pattern		A	B
Housing	Color	White	Blue
	Model No.	LEHR-02V-S-A(HF)	LEHR-02V-E-B(HF)
Shrouded header	Color	Natural	Blue
	Model No.	BM02B-LEHSS-A-TB(HF)	BM02B-LEHES-B-TB(HF)



Note: 1. The figure on the left side is the figure viewed from the connector mounting side.
2. Tolerances are non-cumulative: ±0.05mm for all centers.
The dimensions above should serve as a guideline. Contact JST for details.

LEH CONNECTOR

Contact



Model No.	Applicable wire			Q'ty / reel
	mm ²	AWG#	Insulation O.D. (mm)	
SLEH-001T-P0.15	0.13~0.33	26~22	0.95~1.3	12,000

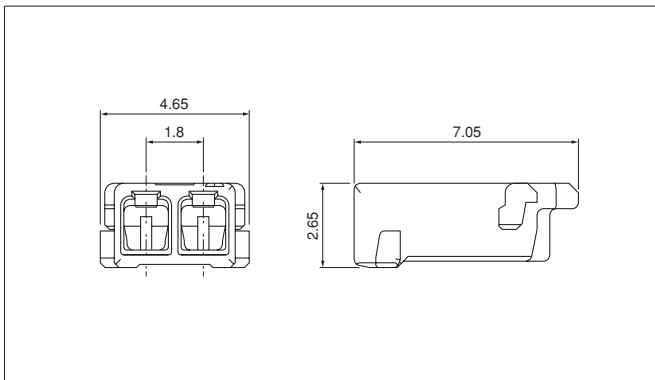
Material and Finish

Copper alloy, tin-plated (reflow treatment)

RoHS compliance

Contact	Crimping machine	Applicator		
		Crimp applicator	Dies	Crimp applicator with dies
SLEH-001T-P0.15	AP-K2N	MKS-L	MK/SLEH-001-015	APLMK SLEH001-015
		—	—	—

Housing



Circuits	Key pattern	Color	Model No.	Q'ty / bag
2	A	White	LEHR-02V-S-A(HF)	1,000
	B	Blue	LEHR-02V-E-B(HF)	1,000

Material

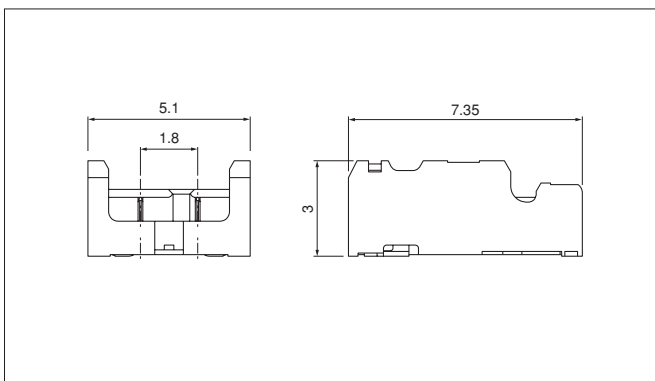
Glass-filled PA 66, UL94V-0

RoHS compliance

<For reference> As the color identification, the following alphabet shall be put in the underlined part. For availability, delivery and minimum order quantity, contact JST.

ex. **LEHR-02V-S-A(HF)**
S...white E...blue

Shrouded header



Circuits	Key pattern	Color	Model No.	Q'ty / reel
2	A	Natural	BM02B-LEHSS-A-TB(HF)	3,400
	B	Blue	BM02B-LEHES-B-TB(HF)	3,400

Material and Finish

Contact: Copper alloy, copper-undercoated, tin-plated (reflow treatment)
Housing: PA 9T, UL94V-0

RoHS compliance

Note: The products listed above are supplied on embossed-tape.

<For reference> As the color identification, the following alphabet shall be put in the underlined part. For availability, delivery and minimum order quantity, contact JST.

ex. **BM02B-LEHSS-A-TB(HF)**
S...natural E...blue

Looking for pricing, stock, or lifecycle information?

Click below to explore more details on WIN SOURCE:

- ⊖ [View SLEH-001T-P0.15 on WIN SOURCE](#)
- ⊖ [JST Sales America Inc. Information](#)

Optimize Your Supply Chain with WIN SOURCE Solutions

- ✓ Global Sourcing Solution
- ✓ Obsolete Management
- ✓ Cost Control Management
- ✓ Shortage Management
- ✓ Alternative Solution
- ✓ Excess Inventory Management