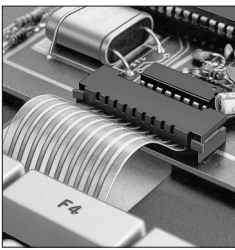




**THE DATASHEET OF
08FDZ-ST(S)(LF)(SN)**

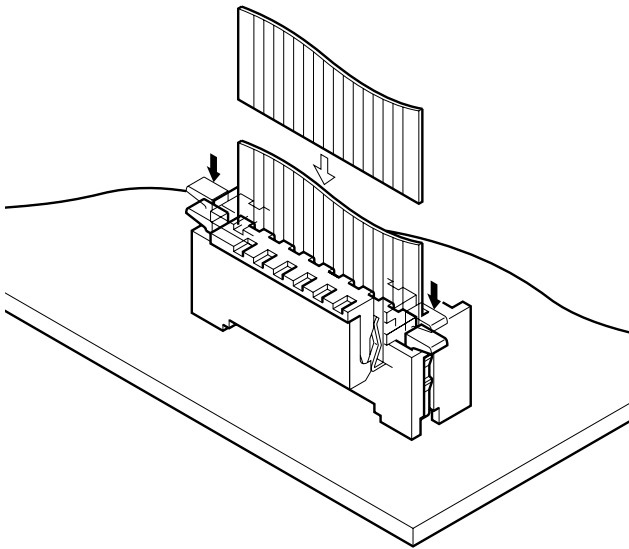




FDZ CONNECTOR



2.54mm pitch/Connectors for FPC and membrane switch leads



The FDZ connector, a Zero Insertion Force (ZIF) connector, was developed to connect FPC and membrane switch leads. This combination of features allows greater freedom in internal wiring designs. No force is required to insert the leads. Once inserted, the leads are securely held and locked by moving the slide. The contact is double-sided to ensure greater reliability.

- Double-sided contact
- Zero insertion force and locking mechanism
- Temporary board retention feature
- Boss for polarity identification
- Flux is not a problem

Specifications

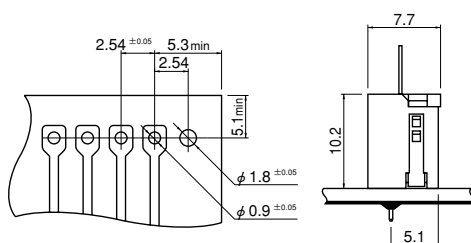
- Current rating: Tin-plated copper foil lead/1.0A AC, DC
Silver paste carbon-printed lead/50mA AC, DC
 - Voltage rating: 250V AC, DC
 - Temperature range: -40°C to +85°C
(including temperature rise in applying electrical current)
 - Contact resistance: <Tin-plated copper foil lead>
Initial value/30m Ω max.
After environmental testing/50m Ω max.
<Silver paste carbon-printed lead>
Initial value/10 Ω max.
After environmental testing/15 Ω max.
 - Insulation resistance: 1,000M Ω min.
 - Withstanding voltage: 1,200V AC/minute
 - Applicable FPC and membrane switch lead:
Conductor pitch/2.54mm
Conductor width/1.3mm
Mating part thickness/125 micron
 - Applicable PC board thickness: 1.6mm
- Note: FPC to be actually used should be checked for applicability.*
 * Compliant with RoHS.
 * Refer to "General Instruction and Notice when using Terminals and Connectors" at the end of this catalog.
 * Contact JST for details.

Standards

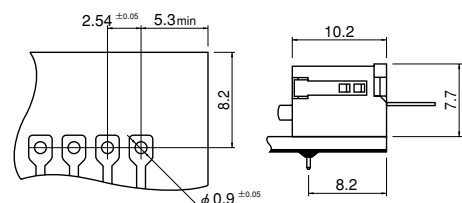
- Ⓜ Recognized E60389
- Ⓢ Certified LR20812

PC board layout (viewed from soldering side) and Assembly layout

Top entry type



Side entry type



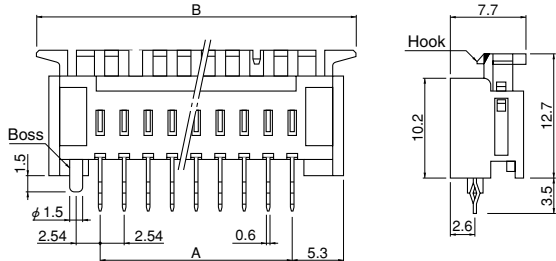
Note: 1. Tolerances are non-cumulative: ±0.05mm for all centers.

2. Hole dimensions differ according to the kind of PC board and piercing method. The dimensions above should serve as a guideline. Contact JST for details.

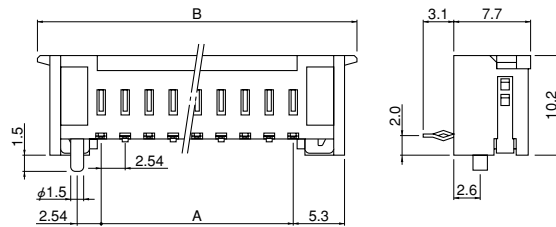
FDZ CONNECTOR

Connector

Top entry type (Before slide lock)



Side entry type (After slide lock)



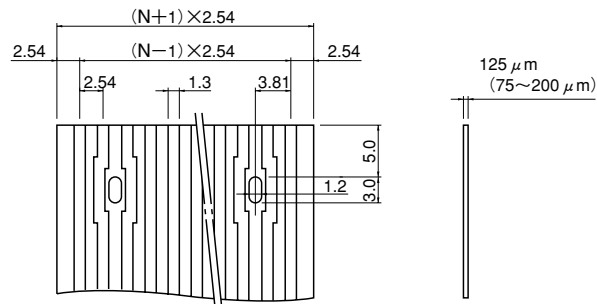
Circuits	Model No.		Dimensions (mm)		Q'ty / box
	Top entry type	Side entry type	A	B	
5	05FDZ-BT(S)	05FDZ-ST(S)	10.16	23.56	100
6	06FDZ-BT(S)	06FDZ-ST(S)	12.70	26.10	100
8	08FDZ-BT(S)	08FDZ-ST(S)	17.78	31.18	100
9	09FDZ-BT(S)	09FDZ-ST(S)	20.32	33.72	100
10	10FDZ-BT(S)	10FDZ-ST(S)	22.86	36.26	100
11	11FDZ-BT(S)	11FDZ-ST(S)	25.40	38.80	50
12	12FDZ-BT(S)	12FDZ-ST(S)	27.94	41.34	50
13	13FDZ-BT(S)	13FDZ-ST(S)	30.48	43.88	50
17	17FDZ-BT(S)	17FDZ-ST(S)	40.64	54.04	50
19	19FDZ-BT(S)	—	45.72	59.12	50

Material and Finish

Contact: Phosphor bronze, copper-undercoated, tin-plated (reflow treatment)
Housing: Glass-filled PBT, UL94V-0

RoHS compliance This product displays (LF)(SN) on a label.
Note: 19FDZ-BT(S) is not UL/CSA approved.

Lead section dimensions of FPC



Note: N --- Number of circuits

Looking for pricing, stock, or lifecycle information?

Click below to explore more details on WIN SOURCE:

- [View 08FDZ-ST\(S\)\(LF\)\(SN\) on WIN SOURCE](#)
- [JST Sales America Inc. Information](#)

Optimize Your Supply Chain with WIN SOURCE Solutions

- ✓ Global Sourcing Solution
- ✓ Obsolete Management
- ✓ Cost Control Management
- ✓ Shortage Management
- ✓ Alternative Solution
- ✓ Excess Inventory Management