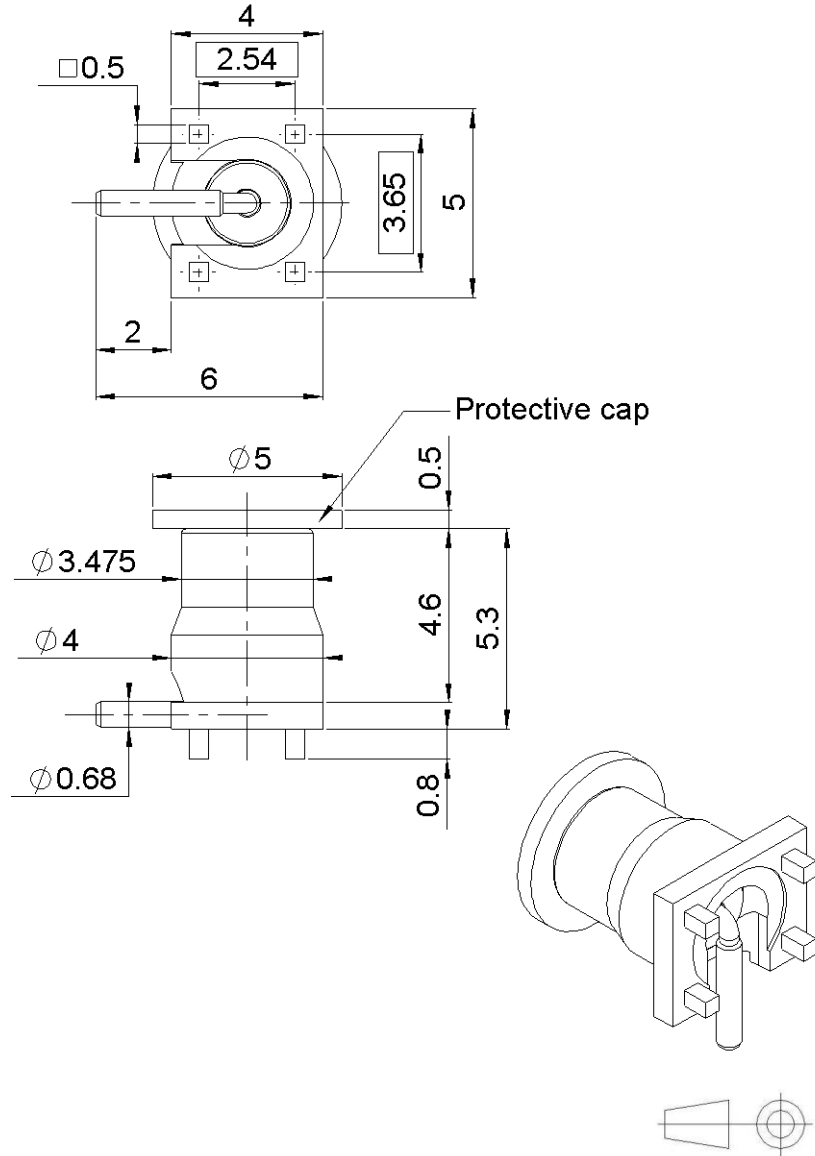




**THE DATASHEET OF
R110427830**



PAGE 1/5	ISSUE 1435C	SERIES MMCX	PART NUMBER R110427830
----------	-------------	--------------------	-------------------------------



All dimensions are in mm.

COMPONENTS	MATERIALS	PLATING (µm)
Body	BRASS	NPGR
Center contact	BERYLLIUM COPPER	GOLD OVER NICKEL
Outer contact	-	-
Insulator	PTFE	-
Gasket	-	-
Others parts	-	-
-	-	-
-	-	-

PAGE 2/5	ISSUE 1435C	SERIES MMCX	PART NUMBER R110427830
----------	-------------	--------------------	-------------------------------

PACKAGING

Standard	Unit	Other
500	Contact us	Contact us

ELECTRICAL CHARACTERISTICS

Impedance		50	Ω
Frequency		0-6	GHz
VSWR	NA	+	0.0000 x F(GHz) Maxi
Insertion loss		NA	√F(GHz) dB Maxi
RF leakage	- (- F(GHz)) dB Maxi
Voltage rating		250	Veff Maxi
Dielectric withstanding voltage		500	Veff mini
Insulation resistance		1000	MΩ mini

ENVIRONMENTAL

Operating temperature	-55/+155	°C
Hermetic seal	NA	Atm.cm3/s
Panel leakage	NA	

MECHANICAL CHARACTERISTICS

Center contact retention			
Axial force – Mating End	10*		N mini
Axial force – Opposite end	10*		N mini
Torque	NA		N.cm mini
Recommended torque			
Mating	NA		N.cm
Panel nut	NA		N.cm
Mating life	500		Cycles mini
Weight	0.3800		g

SPECIFICATION

1AB052720013

OTHER CHARACTERISTICS

Assembly instruction:

Others:

***after soldering**

Materials are compliant with the EU's

RoHS directive

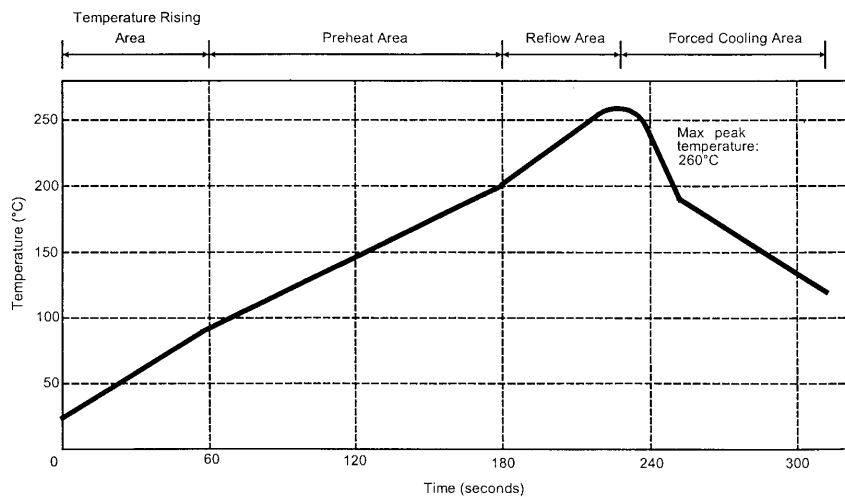
PAGE 3/5	ISSUE 1435C	SERIES MMCX	PART NUMBER R110427830
----------	-------------	-------------	------------------------

SOLDER PROCEDURE

1. Deposit solder paste 'Sn Ag4 Cu0.5' on mounting zone by screen printing application. We recommend a low residue flux. We advise a thickness of 150 micromm (5.850 microinch). Verify that the edges of the zone are clean.
2. Placement of the receptacle on the mounting zone with an automatic machine of 'pick and place' type. A video camera is recommended for positioning of the component . Adhesive agents must not be used on the receptacle.
3. This process of soldering has been tested with convection oven .Below please find ,the typical profile to use.
4. The cleaning of printed circuit boards is not obliged .
5. Verification of solder joints and position of the component by visual inspection.

NOTE : The receptacle and the plug must not be mated before completion of this procedure

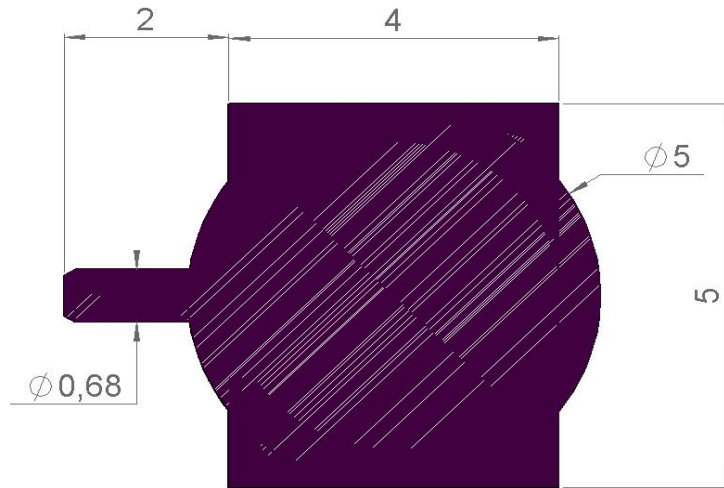
TEMPERATURE PROFILE



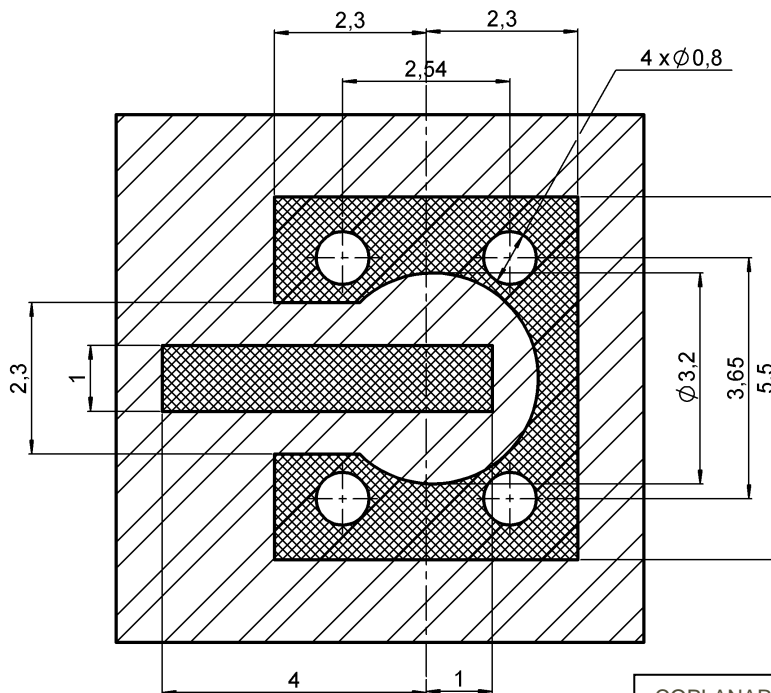
Parameter	Value	Unit
Temperature rising Area	1 - 4	°C/sec
Max Peak Temperature	260	°C
Max dwell time @260°C	10	sec
Min dwell time @235°C	20	sec
Max dwell time @235°C	60	sec
Temperature drop in cooling Area	-1 to -4	°C/sec
Max dwell time above 100°C	420	sec

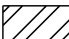

PAGE 4/5	ISSUE 1435C	SERIES MMCX	PART NUMBER R110427830
----------	-------------	-------------	------------------------

SHADOW OF RECEPTACLE FOR VIDEO CAMERA



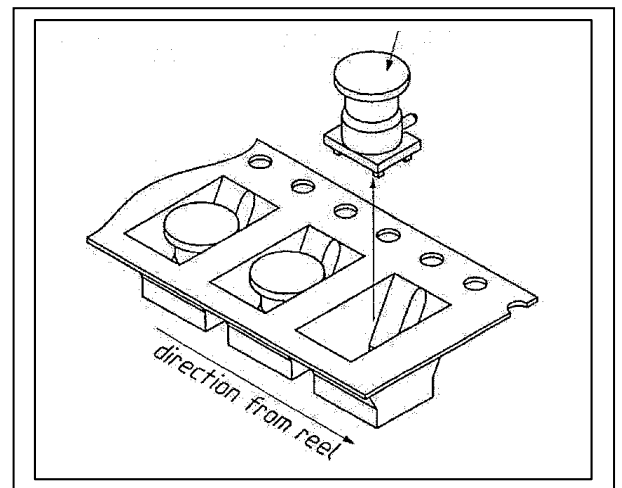
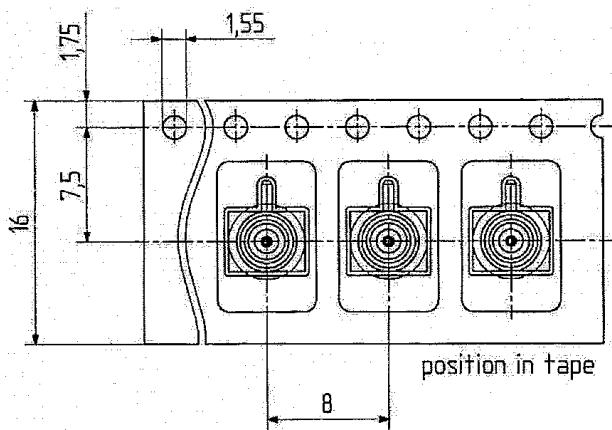
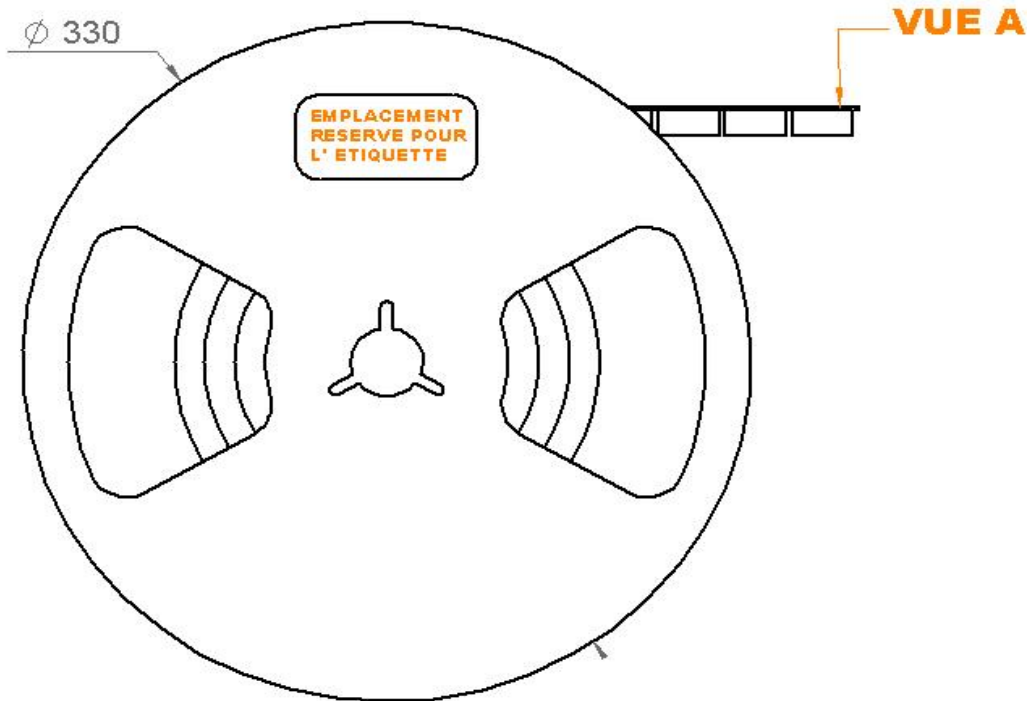
STANDARD PAD



-  Masse + vernis
Ground + varnish
-  Plots de soudure
Lands for solder paste



COPLANAR LINE
 Pattern and signal are on the same side.
 Thickness of the PCB : 1.6 mm
 The material of the PCB is the epoxy resin of Glass fabrics bacs (ER : 4.8).
 The solder resist should be printed except for The land pattern on the PCB.

PAGE 5/5	ISSUE 1435C	SERIES MMCX	PART NUMBER R110427830
----------	-------------	-------------	------------------------



Looking for pricing, stock, or lifecycle information?

Click below to explore more details on WIN SOURCE:

-  [View R110427830 on WIN SOURCE](#)
-  [Radiall USA, Inc. Information](#)

Optimize Your Supply Chain with WIN SOURCE Solutions

-  Global Sourcing Solution
-  Obsolete Management
-  Cost Control Management
-  Shortage Management
-  Alternative Solution
-  Excess Inventory Management