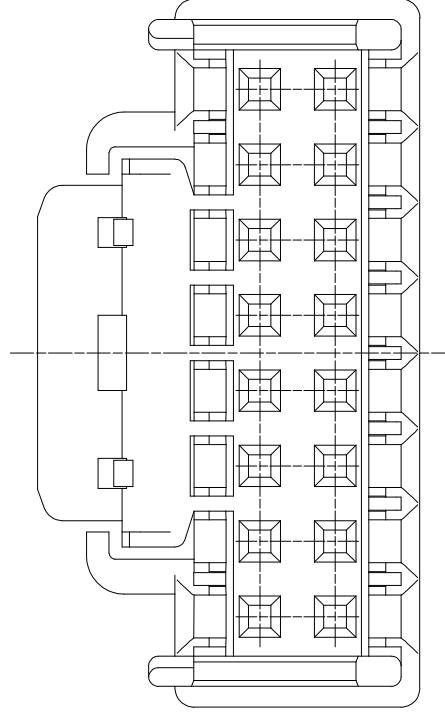
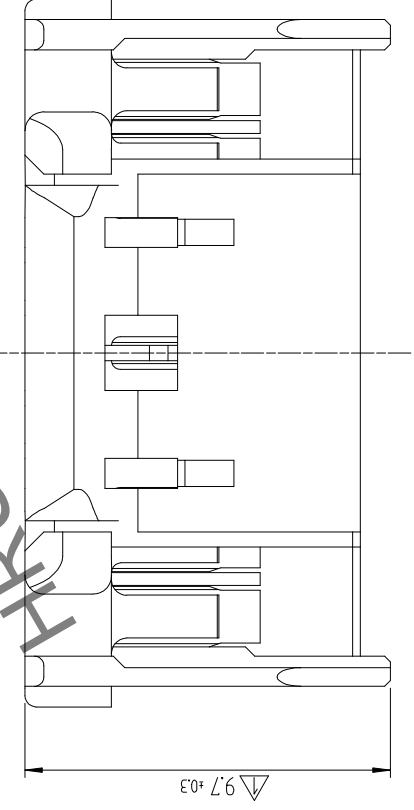
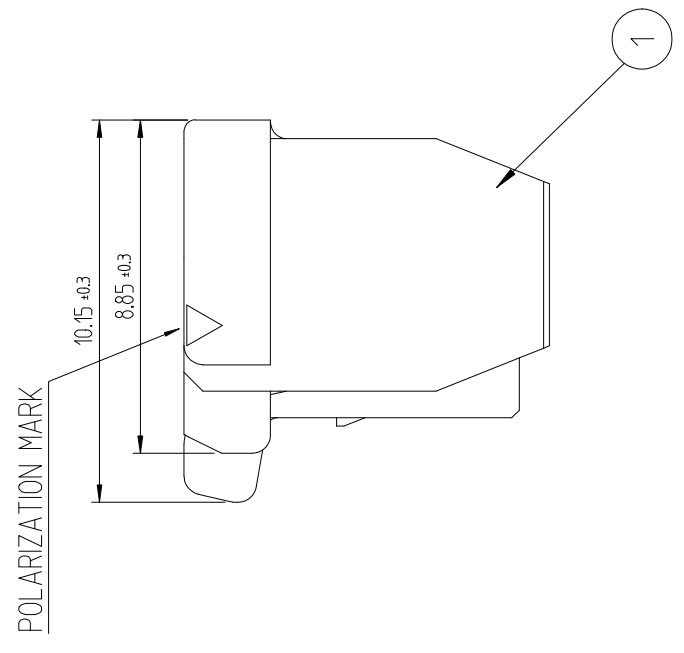
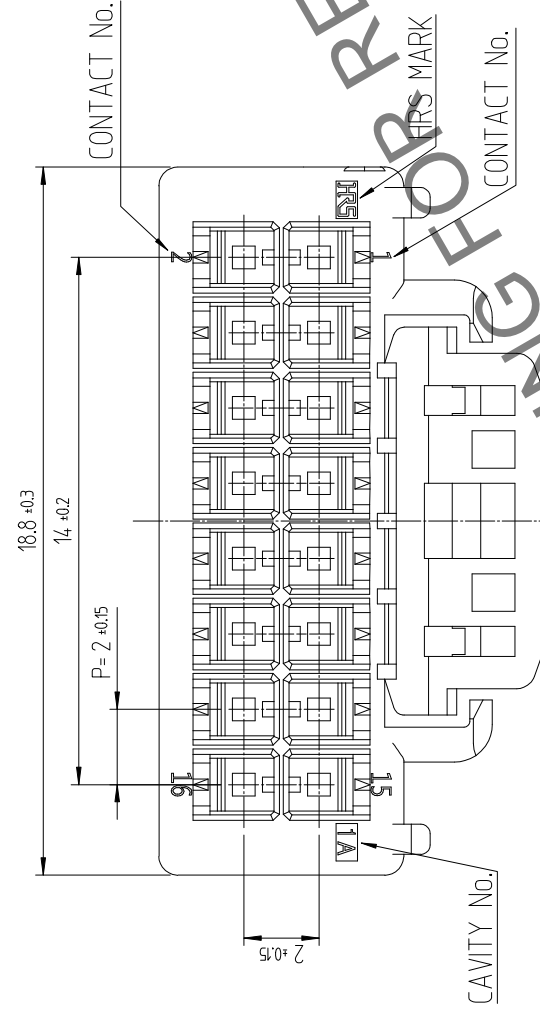




**THE DATASHEET OF  
DF51K-16DS-2C(800)**



△數 COUNT	訂正事項 DESCRIPTION OF REVISIONS
△ 1	RE-6-1150
△ 1	RE-6-1579
△	



NOTE 1. 1PACK CONTAINS 100PCS.  
 △2. UL(File No. E132750) AUTHORIZED  
 C-UL(File No. E132750) AUTHORIZED



NO.	MATERIAL	FIN
CODE NO. (OLD)		

	DRAWING NO.
SCALE	EDC3-6
UNITS	mm

**HRS** HIROSE KOREA

HRS DRAWING FOR REFERENCE

## Looking for pricing, stock, or lifecycle information?

Click below to explore more details on WIN SOURCE:

[View DF51K-16DS-2C\(800\) on WIN SOURCE](#)

[Hirose Electric Co Ltd Information](#)

## Optimize Your Supply Chain with WIN SOURCE Solutions

- ✓ Global Sourcing Solution
- ✓ Obsolete Management
- ✓ Cost Control Management
- ✓ Shortage Management
- ✓ Alternative Solution
- ✓ Excess Inventory Management