

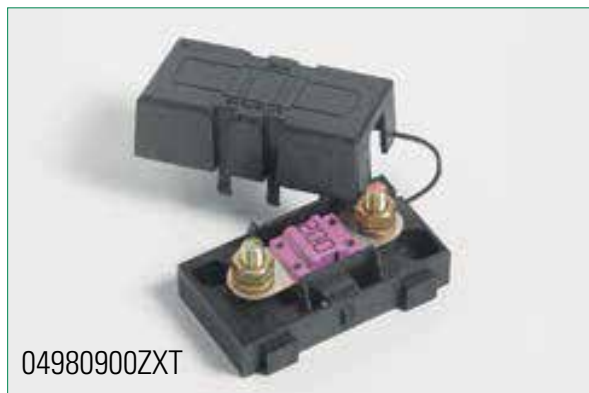


THE DATASHEET OF
04980900ZXT



FUSE HOLDER FOR MIDI®/BF1 STYLE FUSE

RoHS



04980900ZXT



04980903ZXT

Description

Use with BF1 /MIDI® fuses up to 200A. Includes protective cover. Features interconnecting pins on side of fuse block for secure multiple block configurations. Includes M5 threaded studs and hex nuts with lock washers. Fuse not included.

Ratings

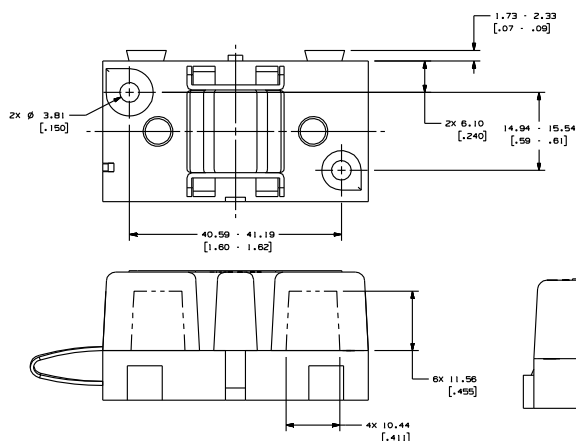
Part Number	Description	Fuse Rating
04980900ZXT	330 pcs.	200 A
04980903ZXT	Holder with mounting brackets - 264 pcs.	200 A

Corresponding fuses see Section "Bolt-Down Fuses."

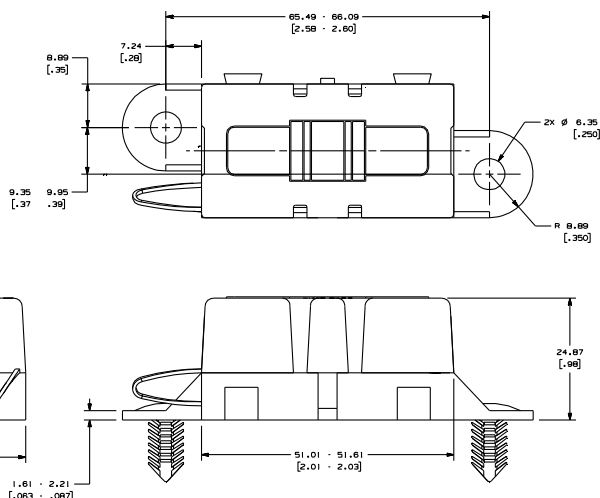
Dimensions

Dimensions in mm

04980900ZXT



04980903ZXT



Looking for pricing, stock, or lifecycle information?

Click below to explore more details on WIN SOURCE:

 [View 04980900ZXT on WIN SOURCE](#)

 [Littelfuse Inc. Information](#)

Optimize Your Supply Chain with WIN SOURCE Solutions

-  Global Sourcing Solution
-  Obsolete Management
-  Cost Control Management
-  Shortage Management
-  Alternative Solution
-  Excess Inventory Management