



# THE DATASHEET OF H2

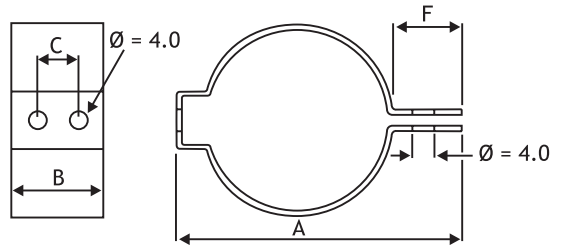


CLIPS

**DIMENSIONS mm MATERIAL Zinc plated steel**

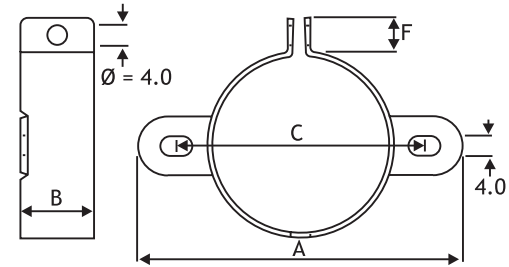
**Horizontal Mounting**

TYPE	CAN DIA	A	B	C	F
H1	25.0	40.0	22.3	12.8	10.0
H2	35.0	52.0	22.3	12.8	10.0

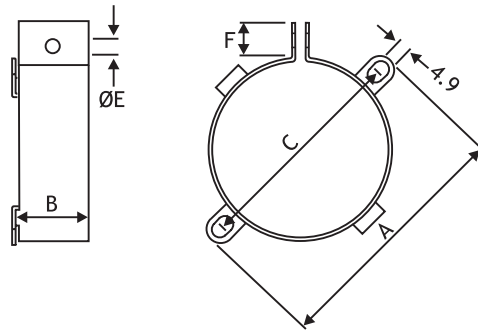


**Vertical Mounting**

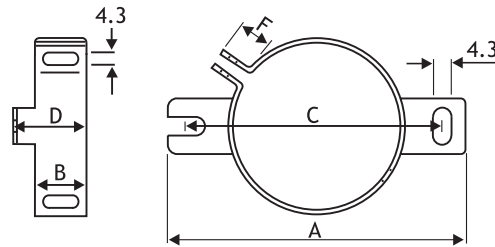
TYPE	CAN DIA	A	B	C	F
V2	25.0	49.0	19.0	37.0	10.0
V3	35.0	58.0	19.0	45.0	9.0
V9	40.0	65.0	19.0	52.4	9.5



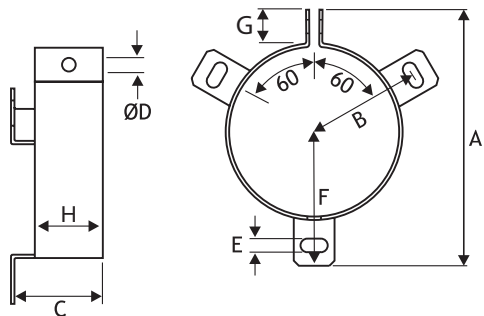
TYPE	CAN DIA	A	B	C	E	F
V4	51.0	75.0	25.4	64.0	5.0	10.0
V6	45.0	69.5	17.4	58.0	4.0	10.0
V8	63.5	88.9	25.4	77.5	5.0	9.5
PYC6041	35	64	19	52	4.5	11.5



TYPE	CAN DIA	A	B	C	D	F
UTE2736	35.0	63.0	12.2	54.0	17.2	9.0



TYPE	CAN DIA	A	B	C	D	E	F	G	H
V10	65.0	90.0	40.0	30.0	5.0	4.5	-	10	20
V11	76.0	103.0	45.5	30.0	5.0	4.5	-	10	20
V90	90.0	116.0	53.5	30.0	5.0	4.5	-	10	20
UTE2737	50.0	75.5	33.5	27.0	4.3	4.3	39.5	10	20
UTE2738	65.0	88.5	39.0	27.0	4.3	4.3	45.0	10	20
UTE2739	72.0	97.0	44.0	28.0	4.3	4.3	50.0	10	20
PYC6042	50	78	32.5	30	5.5	4.5	39	12	19
PYC6043	65	90.5	38	36	5.5	4.5	44	12	25
PYC6044	75	100.5	43	36	5.5	4.5	49	12	25
PYC6045	90	115.5	50.5	36	5.5	4.5	56.5	12	25



**Notes**

When using mounting clamps care should be taken not to obscure any safety vent in the can. Delivered without bolts and nuts for mounting. PYC clips are for PEH169 & PEH200 capacitors.

## Looking for pricing, stock, or lifecycle information?

Click below to explore more details on WIN SOURCE:

 [View H2 on WIN SOURCE](#)

 [Kemet Information](#)

## Optimize Your Supply Chain with WIN SOURCE Solutions

-  Global Sourcing Solution
-  Obsolete Management
-  Cost Control Management
-  Shortage Management
-  Alternative Solution
-  Excess Inventory Management