



**THE DATASHEET OF
RTE1600N43**

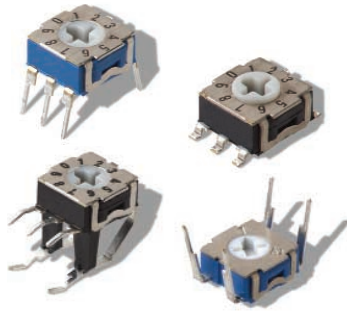


C&K RTE Series Low Profile Rotary DIP Switches



H

DIP



Features/Benefits

- **Process-sealed - withstands soldering and cleaning**
- **Thru-hole and surface mount models**
- **Miniature size with robust stainless steel cover**
- **Rotary SPDT, SP3T, SP4T functions**
- **Rotary binary-decimal and hexadecimal coding**

Typical Applications

- **Timers, automation components**
- **Computer and peripherals**
- **Alarms, access control**
- **Instrumentation**

Specifications

CONTACT RATING:

Gold: 100 mA max. 10 μ A min. 30 V DC max.
Silver: 100 mA max. 1 mA min. 50 V DC max.

MECHANICAL LIFE: RTE02/03: 1,500 actuations;
RTE04/10/16: 20,000 actuations

CONTACT RESISTANCE: 100 m Ω max. initial;
150 m Ω after life

INSULATION RESISTANCE: RTE02/03: 10¹³ Ω min.
RTE04/10/16: 10¹⁰ Ω min. initial

DIELECTRIC STRENGTH: RTE 02/03: 500 Vrms;
RTE 10/16: 300 Vrms

OPERATING TEMPERATURE: -25°C to 85°C.

STORAGE TEMPERATURE: -40°C to 85°C.

SEALING: Totally sealed

PACKAGING: N or R terminations in tube.

V termination in box. G termination in reel, 750 pieces per reel. G termination with flush actuator, 1250 pieces per reel.

DAMP HEAT RESISTANCE: 21 days at 40°C, 93% RH

SALT MIST RESISTANCE: 96 hours

Materials

COVER & BASE: Thermoplastic PPS

ACTUATOR: PA Thermoplastic

KNOB: Thermoplastic

MOVABLE CONTACTS: Brass, gold or silver plated.

STATIONARY CONTACTS: Brass, gold or silver plated.

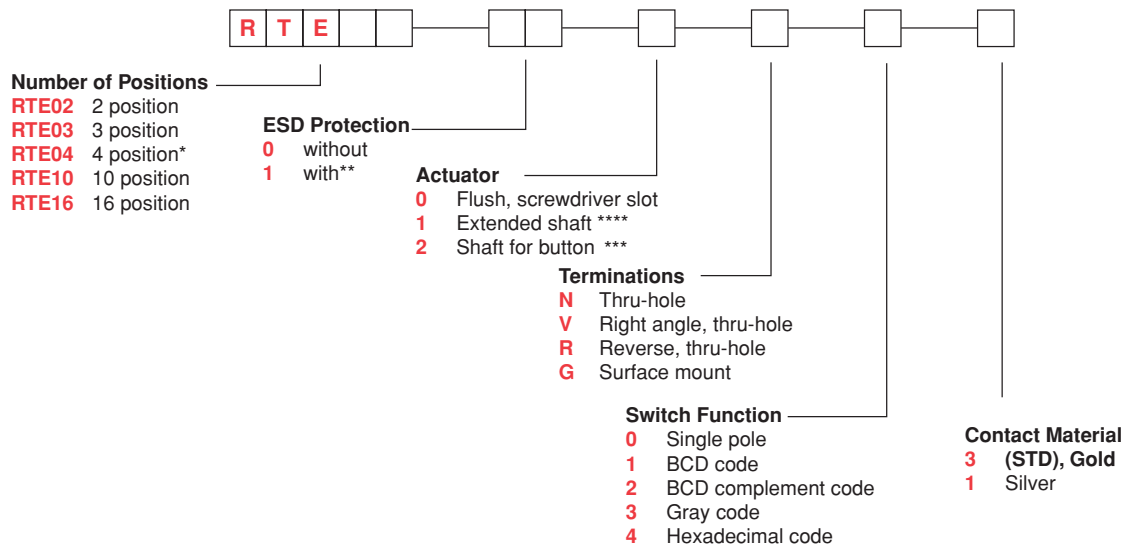
TERMINALS: Totally sealed (insert molded)

O-RING: Silicone

NOTE: Specifications and materials listed above are for switches with standard options.
For information on specific and custom switches, consult Customer Service Center.

How To Order

Our easy Build-A Switch concept allows you to mix and match options to create the switch you need. Below is a complete listing of options shown in catalog. To order, simply select desired option from each category and place in the appropriate box.



* RTE04 version only available with screw driver slot acuator "0"

** ESD protection only available with N or R terminations.

*** Buttons ordered separately.

**** Not available in surface mount.

C&K RTE Series Low Profile Rotary DIP Switches

SWITCHES WITH STANDARD OPTIONS

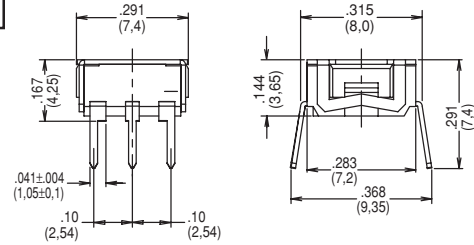


H

DIP

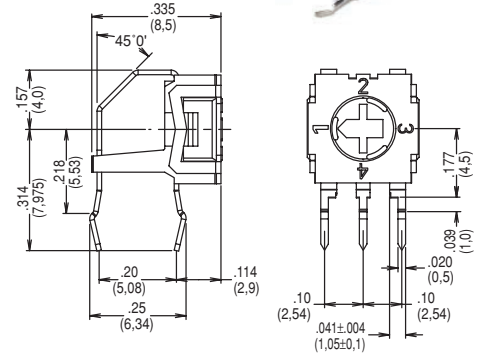
PC Mount

PART NUMBER WITHOUT ESD PIN	WITH ESD PIN	NO. POS.	FUNCTION	QTY PER TUBE
RTE0200N03	RTE0210N03	2	SPDT	65
RTE0300N03	RTE0310N03	3	SP3T	65
RTE0400N03	RTE0400N03	4	SP4T	65
RTE1000N13	RTE1010N13	10	BCD	65
RTE1000N33	RTE1010N33	10	GRAY	65
RTE1600N43	RTE1610N43	10	HEXADECIMAL	65



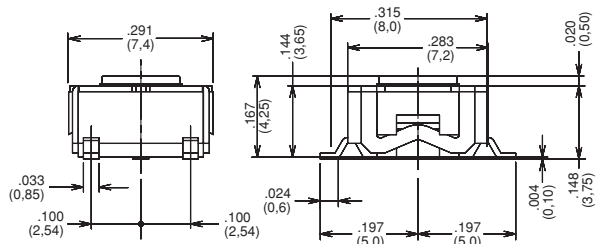
Right Angle Mount

PART NUMBER	NO. POS.	FUNCTION	QUANTITY
RTE0400V03	4	SP4T	150 per box
RTE1000V13	10	BCD	150 per box
RTE1000V33	10	GRAY	150 per box
RTE1600V43	16	HEXADECIMAL	150 per box



Surface Mount

PART NUMBER	NO. POS.	FUNCTION	QUANTITY PER REEL
RTE0200G03	02	SPDT	1250
RTE0300G03	03	SPDT	1250
RTE0400G03	04	SP4T	1250
RTE1000G13	10	BCD	1250
RTE1000G33	10	GRAY	1250
RTE1600G43	16	HEXADECIMAL	1250



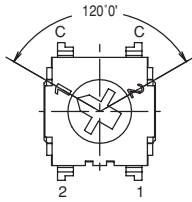
C&K RTE Series Low Profile Rotary DIP Switches



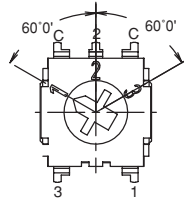
DIP

NUMBER OF POSITIONS

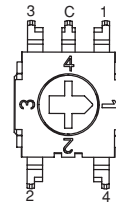
RTE02 2 POSITION



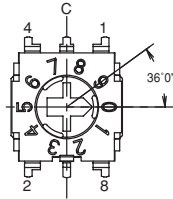
RTE03 3 POSITION



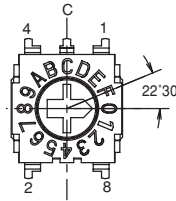
RTE04 4 POSITION



RTE10 10 POSITION

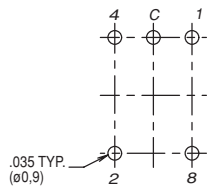
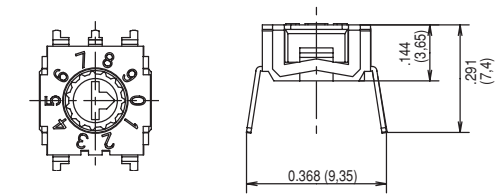


RTE16 16 POSITION

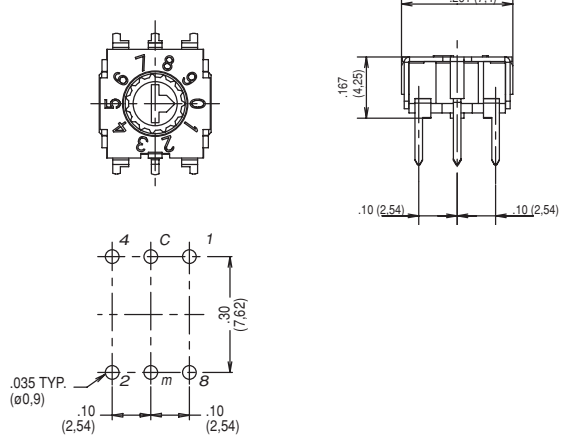


ESD PROTECTION

0 WITHOUT

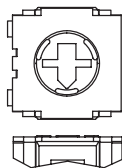


1 WITH

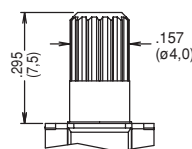


ACTUATOR

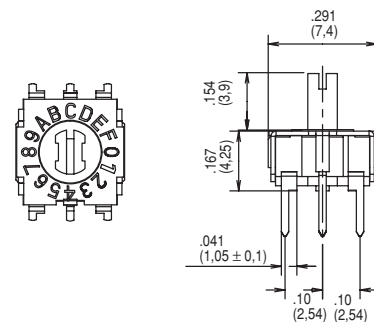
0 FLUSH, SCREWDRIVER SLOT



1 EXTENDED SHAFT (not available in surface mount)



2 SHAFT FOR BUTTON



C&K RTE Series Low Profile Rotary DIP Switches

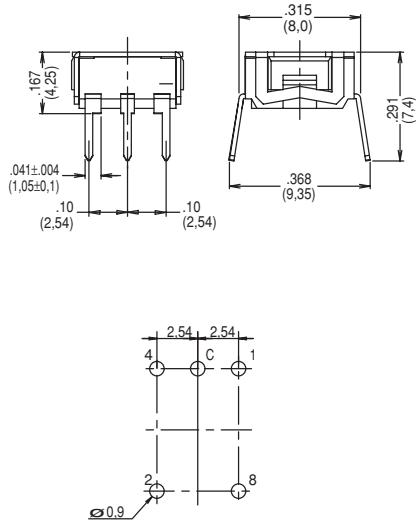
TERMINATIONS



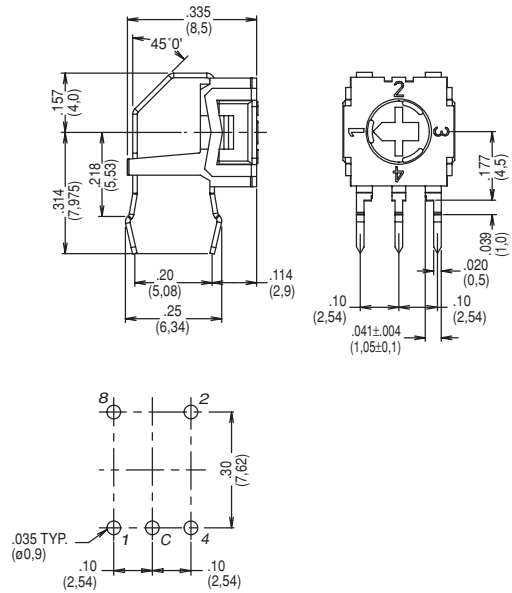
H

DIP

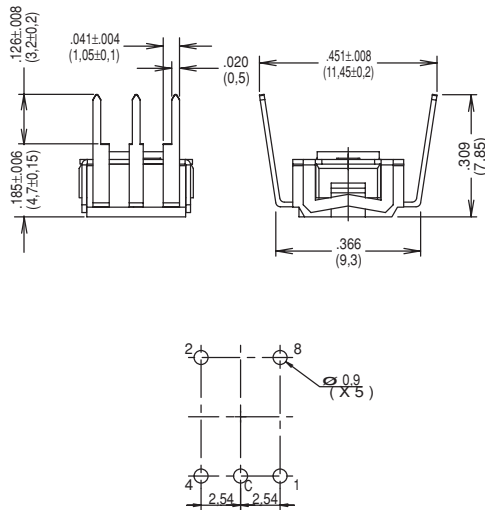
N THRU-HOLE



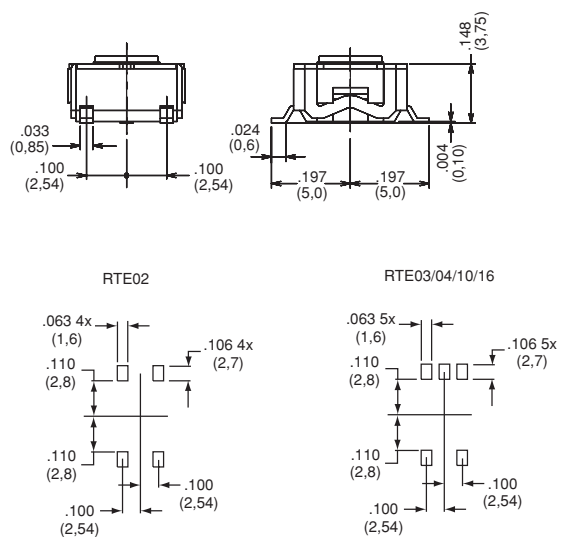
V RIGHT ANGLE, THRU-HOLE



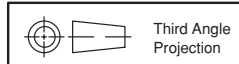
R REVERSE, THRU-HOLE



G SURFACE MOUNT



PCB layout seen component side



Third Angle
Projection

Dimensions are shown inch (mm)
Dimensions subject to change

C&K RTE Series Low Profile Rotary DIP Switches



DIP H

SWITCH FUNCTION

0 SINGLE POLE

POS.	1	2	3	4
C	●	●	●	●
1	●			
2		●		
3			●	
4				●

2 BCD COMPLEMENT CODE

POS.	0	1	2	3	4	5	6	7	8	9
C	●	●	●	●	●	●	●	●	●	●
1	●	●	●							
2	●	●		●	●				●	●
4	●	●	●						●	●
8	●	●	●	●	●	●	●			

4 HEXADECIMAL CODE

POS.	0	1	2	3	4	5	6	7	8	9	10	11	12	13	14	15
C	●	●	●	●	●	●	●	●	●	●	●	●	●	●	●	●
1		●	●		●	●		●		●		●		●		●
2			●	●						●	●					●
4					●	●	●						●	●	●	
8								●	●	●	●	●	●	●	●	●

1 BCD CODE

POS.	0	1	2	3	4	5	6	7	8	9
C	●	●	●	●	●	●	●	●	●	●
1		●		●		●		●		●
2			●	●			●	●		
4					●	●	●	●		
8									●	●

3 GRAY CODE

POS.	1	2	3	4	5	6	7	8	9	10
C	●	●	●	●	●	●	●	●	●	●
1		●	●		●	●		●		●
2			●	●			●	●		
4					●	●	●	●		
8									●	●

Other codes available by request.

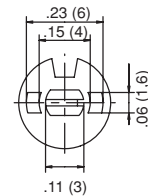
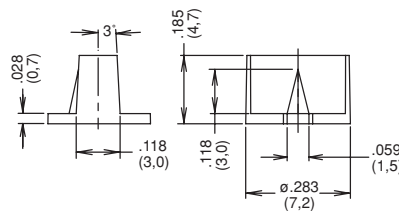
CONTACT MATERIAL

OPTION CODE	CONTACT MATERIAL	TERMINAL PLATING	RATING		
3 (STD.)	GOLD	TIN	100 mA max.	10μ A min.	30 V DC max.
1	SILVER	TIN	100 mA max.	1 mA min.	50 V DC max.

Buttons Available

Buttons are ordered separately, shipped in bulk.

Part Number	Color
BTN RTE 40	Red
BTN RTE 50	Green
BTN RTE 90	Black



Third Angle
Projection

Dimensions are shown in inch (mm)
Dimensions subject to change

C&K RTE Series Low Profile Rotary DIP Switches

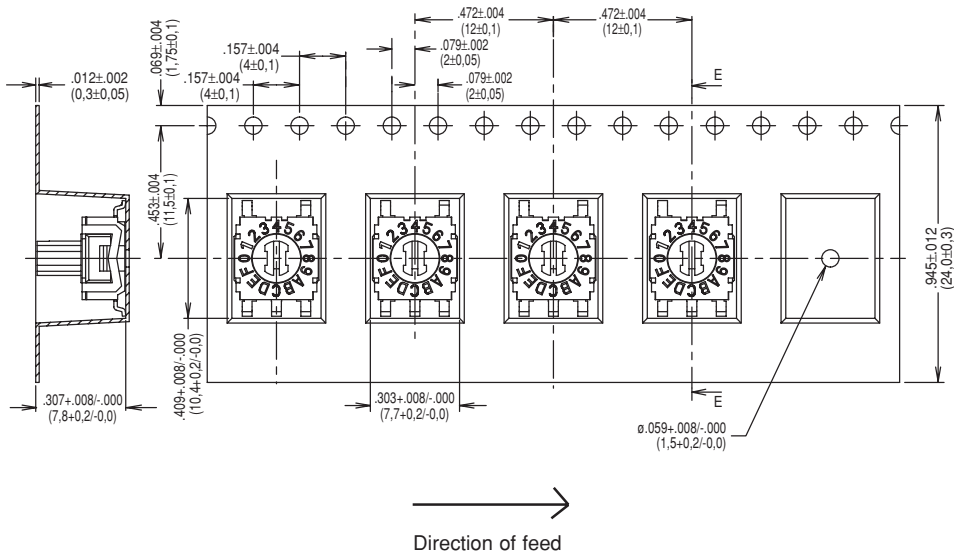


H

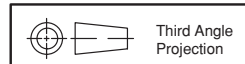
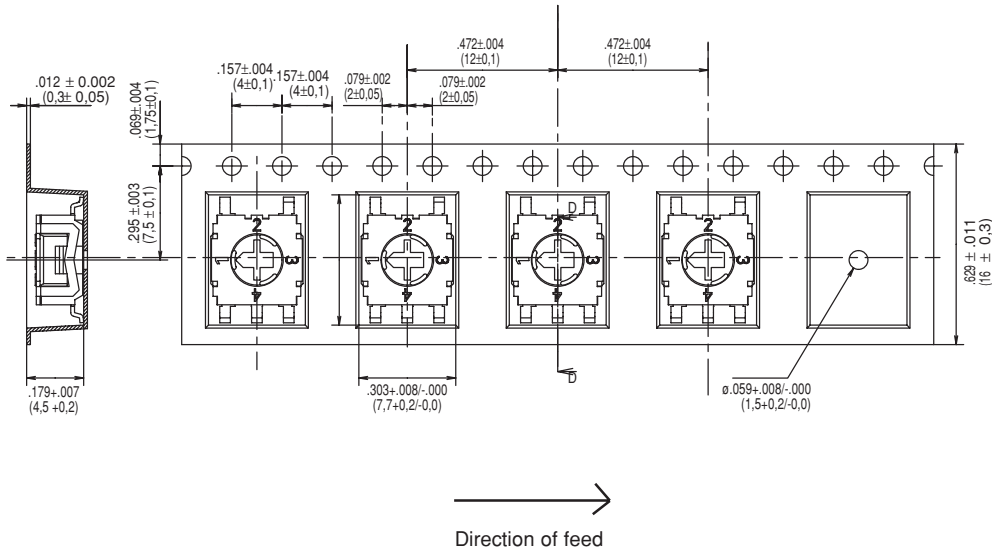
DIP

TAPE AND REEL

Tape and reel for RTExx02Gxx
750 pieces per reel.





Tape and reel for RTExx00Gxx
1,250 pieces per reel.



Third Angle
Projection

Looking for pricing, stock, or lifecycle information?

Click below to explore more details on WIN SOURCE:

-  [View RTE1600N43](#) on WIN SOURCE
-  [C&K Components](#) Information

Optimize Your Supply Chain with WIN SOURCE Solutions

-  Global Sourcing Solution
-  Obsolete Management
-  Cost Control Management
-  Shortage Management
-  Alternative Solution
-  Excess Inventory Management