



**THE DATASHEET OF
BGA125N6E6327XTSA1**

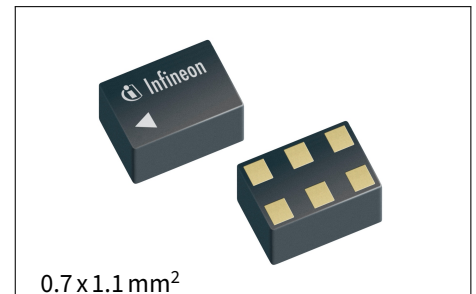


BGA125N6

Ultra Low Current Low Noise Amplifier for L2/L5 GNSS Applications

Features

- Operation frequencies: 1164 to 1300 MHz
- Ultra low current consumption: 1.3 mA
- Wide supply voltage range: 1.1 V to 2.8 V
- High insertion power gain: 20.0 dB
- Low noise figure: 0.80 dB
- 2 kV HBM ESD protection (including AI pin)
- Ultra small and RoHS/WEEE compliant package



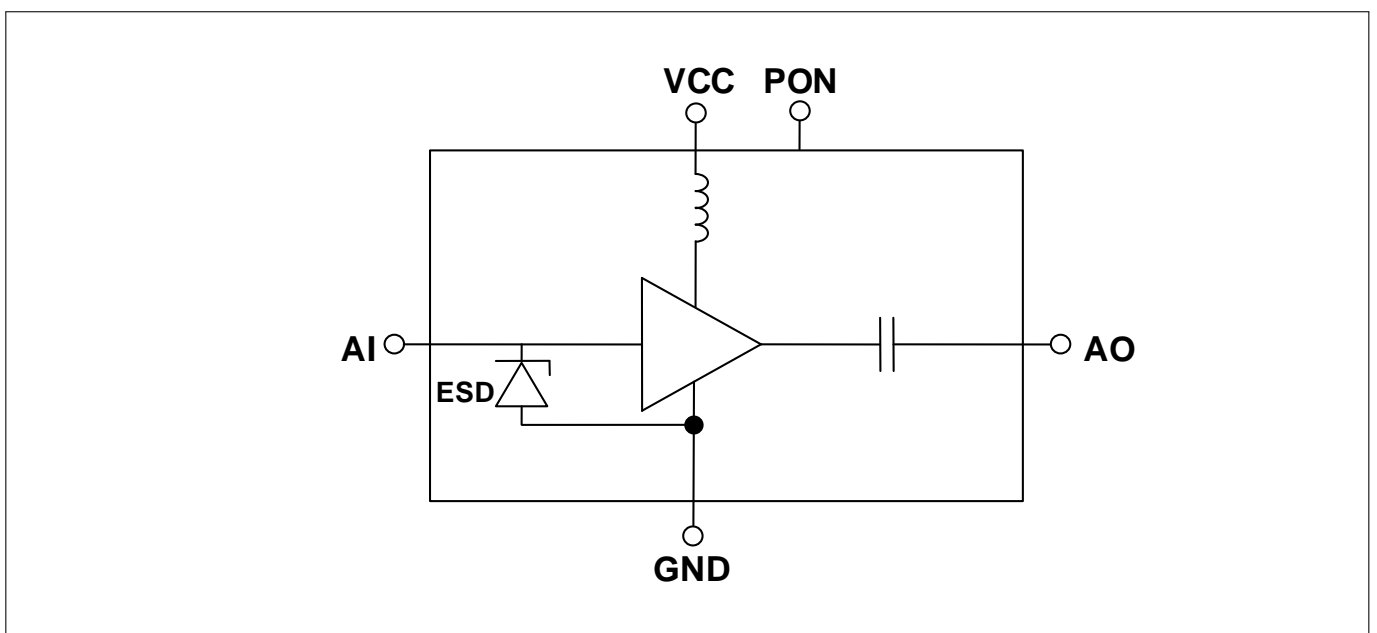
Potential Application

The BGA125N6 is designed to enhance GNSS signal sensitivity for band L2/L5 especially in wearables and mobile cellular IoT applications. With the very good performance it ensures high system sensitivity. The ultra low power consumption of 1.5mW preserves valuable battery power, ideal for small battery powered GNSS devices. The wide supply voltage range from 1.1 V to 2.8 V ensure flexible design and high compatibility. Besides GPS L2 and L5, the GNSS LNA also covers Galileo E5a, E5b, E6, Glonass G3, G2, Beidou B3, B2 and IRNSS/NAVIC bands.

Product Validation

Qualified for industrial applications according to the relevant tests of JEDEC47/20/22.

Block diagram



BGA125N6

Ultra Low Current Low Noise Amplifier for L2/L5 GNSS Applications

Table of Contents

Table of Contents

Table of Contents	1
1 Features	2
2 Maximum Ratings	3
3 Electrical Characteristics	4
4 Application Information	7
5 Package Information	9

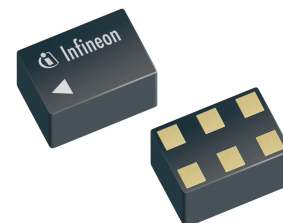
BGA125N6

Ultra Low Current Low Noise Amplifier for L2/L5 GNSS Applications

Features

1 Features

- Operation frequencies: 1164 to 1300 MHz
- Ultra low current consumption: 1.3 mA
- Wide supply voltage range: 1.1 V to 2.8 V
- High insertion power gain: 20.0 dB
- Low noise figure: 0.80 dB
- 2 kV HBM ESD protection (including AI pin)
- Only one external matching component needed
- Ultra small TSNP-6-2 leadless package (footprint: 0.7 x 1.1 mm²)
- RoHS/WEEE compliant package



Description

The BGA125N6 is designed to enhance GNSS signal sensitivity for band L2/L5 especially in wearables and mobile cellular IoT applications. With the very good performance it ensures high system sensitivity. The ultra low power consumption of 1.5mW preserves valuable battery power, ideal for small battery powered GNSS devices. The wide supply voltage range from 1.1 V to 2.8 V ensure flexible design and high compatibility. Besides GPS L2 and L5, the GNSS LNA also covers Galileo E5a, E5b, E6, Glonass G3, G2, Beidou B3, B2 and IRNSS/NAVIC bands. The BGA125N6 LNA is manufactured in Infineon's patented bipolar technology.

The device has a very small size of only 0.7 x 1.1 mm² and a maximum height of 0.375 mm.

The device configuration is shown in Fig. 1.

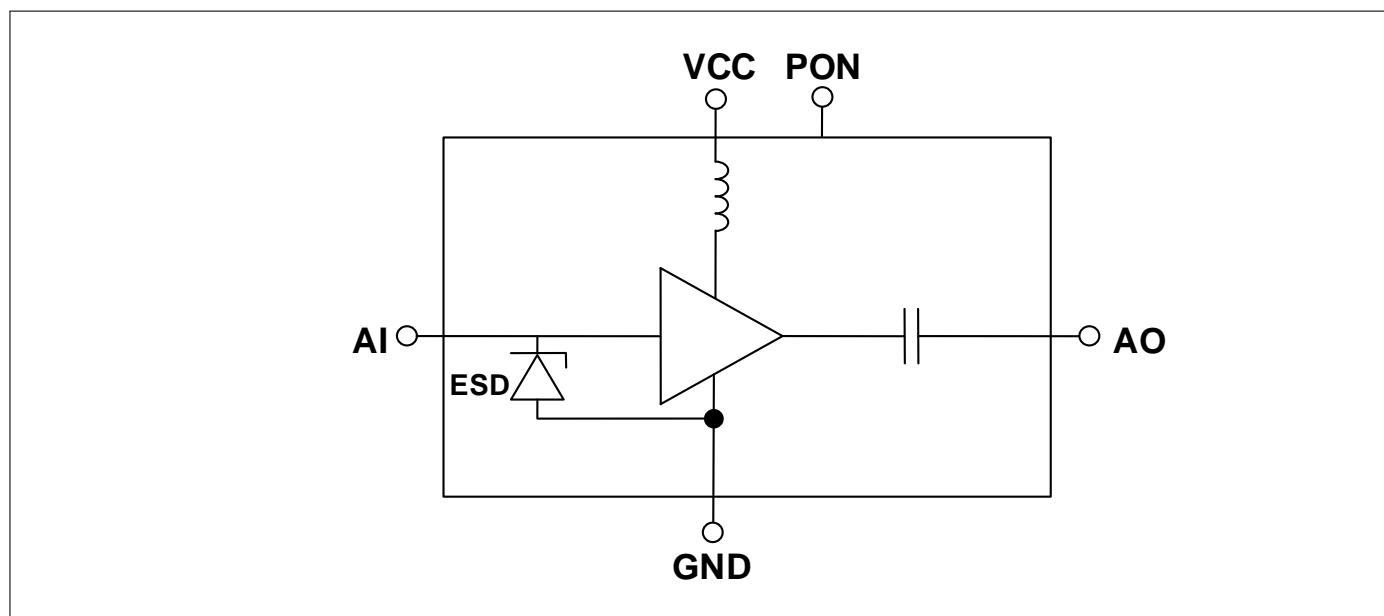


Figure 1: BGA125N6 Block diagram

Product Name	Marking	Package
BGA125N6	7	PG-TSNP-6-2

BGA125N6

Ultra Low Current Low Noise Amplifier for L2/L5 GNSS Applications

Maximum Ratings

2 Maximum Ratings

Table 1: Maximum Ratings

Parameter	Symbol	Values			Unit	Note / Test Condition
		Min.	Typ.	Max.		
Voltage at pin VCC	V_{CC}	-0.3	–	2.8	V	¹
Voltage at pin AI	V_{AI}	-0.3	–	0.9	V	–
Voltage at pin AO	V_{AO}	-0.3	–	$V_{CC} + 0.3$	V	–
Voltage at pin PON	V_{PON}	-0.3	–	2.8	V	–
Voltage at pin GND	V_{GND}	-0.3	–	0.3	V	–
Current into pin VCC	I_{CC}	–	–	9	mA	–
RF input power	P_{IN}	–	–	+25	dBm	CW signal, VSWR 10:1, tested at device level, VCC/VPON typ, 25°C, for 30s and all modes ²
Total power dissipation	P_{tot}	–	–	60	mW	–
Junction temperature	T_J	–	–	150	°C	–
Ambient temperature range	T_A	-40	–	85	°C	–
Storage temperature range	T_{STG}	-55	–	150	°C	–
ESD capability, HBM	V_{ESD_HBM}	-2000	–	+2000	V	³

¹All voltages refer to GND-Nodes unless otherwise noted

²RF input power higher than +10dBm exceeding operating range

³Human Body Model ANSI/ESDA/JEDEC JS-001 ($R = 1.5 \text{ k}\Omega$, $C = 100 \text{ pF}$)

Warning: Stresses above the max. values listed here may cause permanent damage to the device. Maximum ratings are absolute ratings; exceeding only one of these values may cause irreversible damage to the integrated circuit. Exposure to conditions at or below absolute maximum rating but above the specified maximum operation conditions may affect device reliability and life time. Functionality of the device might not be given under these conditions.

BGA125N6

Ultra Low Current Low Noise Amplifier for L2/L5 GNSS Applications

Electrical Characteristics

3 Electrical Characteristics

Table 3: Electrical Characteristics at $T_A = 25\text{ }^\circ\text{C}$, $V_{CC} = 1.2\text{ V}$, $f = 1164\text{--}1300\text{ MHz}$

Parameter ¹	Symbol	Values			Unit	Note / Test Condition
		Min.	Typ.	Max.		
Supply Voltage	V_{CC}	1.1	1.2	2.8	V	–
Supply Current	I_{CC}	–	1.3	1.65	mA	ON-Mode
		–	0.2	3	μA	OFF-Mode
Power on Voltage	V_{PON}	0.8	–	2.8	V	ON-Mode
		0.0	–	0.4	V	OFF-Mode
Power on Current	I_{PON}	–	1.5	3	μA	ON-Mode
		–	–	1	μA	OFF-Mode
Insertion Power Gain $f = 1176\text{ MHz}$	$ S_{21} ^2$	17.6	19.6	21.6	dB	ON-Mode
Noise Figure ² $f = 1176\text{ MHz}$ $Z_S = 50\Omega$	NF	–	0.85	1.25	dB	ON-Mode
Input return loss ³ $f = 1176\text{ MHz}$	RL_{IN}	8.5	11	–	dB	ON-Mode
Output return loss ³ $f = 1176\text{ MHz}$	RL_{OUT}	10	15	–	dB	ON-Mode
Reverse isolation ³ $f = 1176\text{ MHz}$	$1/ S_{21} ^2$	25	40	–	dB	ON-Mode
Power up settling time ^{4 5}	t_S	–	9	12	μs	OFF- to ON-Mode
Inband input 1dB-compression point ³ $f = 1176\text{ MHz}$	IP_{1dB}	-21	-17	–	dBm	ON-Mode
Inband input 3rd-order intercept point ^{3 6}	IIP_3	-20	-15	–	dBm	ON-Mode
Out of band input 3rd-order intercept point ^{5 7}	IIP_{3OoB}	-3	2	–	dBm	ON-Mode
Stability ⁵	k	>1	–	–		$f=20\text{ MHz--}10\text{ GHz}$

¹Based on application described in chapter 4

²PCB losses are substrated

³Verification based on AQL; not 100% tested in production

⁴LNA gain changed to 90% of final gain value (in dB)

⁵Guaranteed by device design; not tested in production

⁶Inband @ 1176 MHz, Input power = -30 dBm for each tone, 1 MHz tone distance

⁷ $f_1 = 1785\text{ MHz}$, $f_2 = 2401\text{ MHz}$, Input power = -20 dBm for each tone

BGA125N6

Ultra Low Current Low Noise Amplifier for L2/L5 GNSS Applications

Electrical Characteristics

Table 4: Electrical Characteristics at $T_A = 25\text{ }^\circ\text{C}$, $V_{CC} = 1.8\text{ V}$, $f = 1164\text{--}1300\text{ MHz}$

Parameter ¹	Symbol	Values			Unit	Note / Test Condition
		Min.	Typ.	Max.		
Supply Voltage	V_{CC}	1.1	1.8	2.8	V	–
Supply Current	I_{CC}	–	1.35	1.7	mA	ON-Mode
		–	0.2	3	μA	OFF-Mode
Power on Voltage	V_{PON}	0.8	–	2.8	V	ON-Mode
		0.0	–	0.4	V	OFF-Mode
Power on Current	I_{PON}	–	3	6	μA	ON-Mode
		–	–	1	μA	OFF-Mode
Insertion Power Gain $f = 1176\text{ MHz}$	$ S_{21} ^2$	18.0	20.0	22.0	dB	ON-Mode
Noise Figure ² $f = 1176\text{ MHz } Z_S = 50\Omega$	NF	–	0.80	1.20	dB	ON-Mode
Input return loss ³ $f = 1176\text{ MHz}$	RL_{IN}	8.5	11	–	dB	ON-Mode
Output return loss ³ $f = 1176\text{ MHz}$	RL_{OUT}	10	14	–	dB	ON-Mode
Reverse isolation ³ $f = 1176\text{ MHz}$	$1/ S_{21} ^2$	25	40	–	dB	ON-Mode
Power up settling time ^{4 5}	t_S	–	8	11	μs	OFF- to ON-Mode
Inband input 1dB-compression point ³ $f = 1176\text{ MHz}$	IP_{1dB}	-19	-15	–	dBm	ON-Mode
Inband input 3rd-order intercept point ^{3 6}	IIP_3	-20	-15	–	dBm	ON-Mode
Out of band input 3rd-order intercept point ^{5 7}	IIP_{3OOb}	-3	2	–	dBm	ON-Mode
Stability ⁵	k	>1	–	–		$f=20\text{ MHz--}10\text{ GHz}$

¹Based on application described in chapter 4

²PCB losses are substrated

³Verification based on AQL; not 100% tested in production

⁴LNA gain changed to 90% of final gain value (in dB)

⁵Guaranteed by device design; not tested in production

⁶Inband @ 1176 MHz, Input power = -30 dBm for each tone, 1 MHz tone distance

⁷ $f_1 = 1785\text{ MHz}$, $f_2 = 2401\text{ MHz}$, Input power = -20 dBm for each tone

BGA125N6

Ultra Low Current Low Noise Amplifier for L2/L5 GNSS Applications

Electrical Characteristics

Table 5: Electrical Characteristics at $T_A = 25\text{ }^\circ\text{C}$, $V_{CC} = 2.8\text{ V}$, $f = 1164\text{--}1300\text{ MHz}$

Parameter ¹	Symbol	Values			Unit	Note / Test Condition
		Min.	Typ.	Max.		
Supply Voltage	V_{CC}	1.1	2.8	2.8	V	–
Supply Current	I_{CC}	–	1.45	1.8	mA	ON-Mode
		–	0.2	3	μA	OFF-Mode
Power on Voltage	V_{PON}	0.8	–	2.8	V	ON-Mode
		0.0	–	0.4	V	OFF-Mode
Power on Current	I_{PON}	–	5	10	μA	ON-Mode
		–	–	1	μA	OFF-Mode
Insertion Power Gain $f = 1176\text{ MHz}$	$ S_{21} ^2$	18.7	20.2	22.2	dB	ON-Mode
Noise Figure ² $f = 1176\text{ MHz } Z_S = 50\Omega$	NF	–	0.80	1.20	dB	ON-Mode
Input return loss ³ $f = 1176\text{ MHz}$	RL_{IN}	8.5	11	–	dB	ON-Mode
Output return loss ³ $f = 1176\text{ MHz}$	RL_{OUT}	10	15	–	dB	ON-Mode
Reverse isolation ³ $f = 1176\text{ MHz}$	$1/ S_{21} ^2$	25	40	–	dB	ON-Mode
Power up settling time ^{4 5}	t_S	–	8	11	μs	OFF- to ON-Mode
Inband input 1dB-compression point ³ $f = 1176\text{ MHz}$	IP_{1dB}	-16	-12	–	dBm	ON-Mode
Inband input 3rd-order intercept point ^{3 6}	IIP_3	-19	-14	–	dBm	ON-Mode
Out of band input 3rd-order intercept point ^{5 7}	IIP_{3OOb}	-3	2	–	dBm	ON-Mode
Stability ⁵	k	>1	–	–		$f=20\text{ MHz--}10\text{ GHz}$

¹Based on application described in chapter 4

²PCB losses are substrated

³Verification based on AQL; not 100% tested in production

⁴LNA gain changed to 90% of final gain value (in dB)

⁵Guaranteed by device design; not tested in production

⁶Inband @ 1176 MHz, Input power = -30 dBm for each tone, 1 MHz tone distance

⁷ $f_1 = 1785\text{ MHz}$, $f_2 = 2401\text{ MHz}$, Input power = -20 dBm for each tone

BGA125N6

Ultra Low Current Low Noise Amplifier for L2/L5 GNSS Applications

Application Information

4 Application Information

Pin Configuration and Function

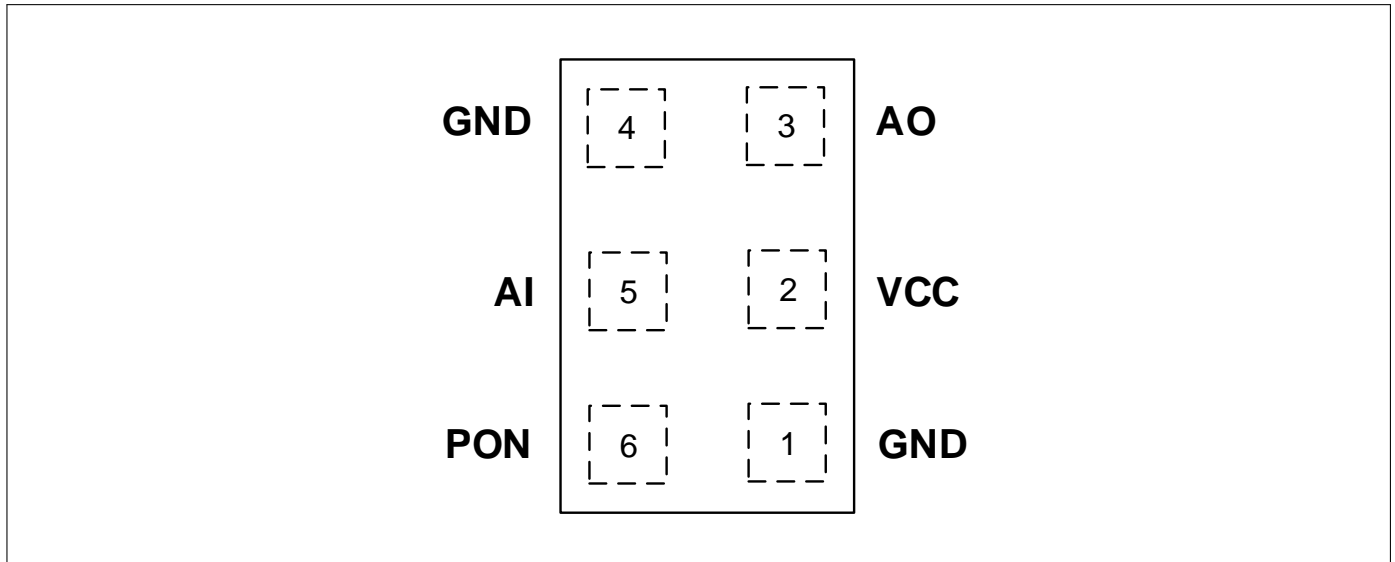


Figure 2: BGA125N6 Pin Configuration (top view)

Table 6: Pin Definition and Function

Pin No.	Name	Function
1	GND	Ground
2	VCC	DC Supply
3	AO	LNA Output
4	GND	Ground
5	AI	LNA Input
6	PON	Power On Control

BGA125N6

Ultra Low Current Low Noise Amplifier for L2/L5 GNSS Applications

Application Information

Application Board Configuration

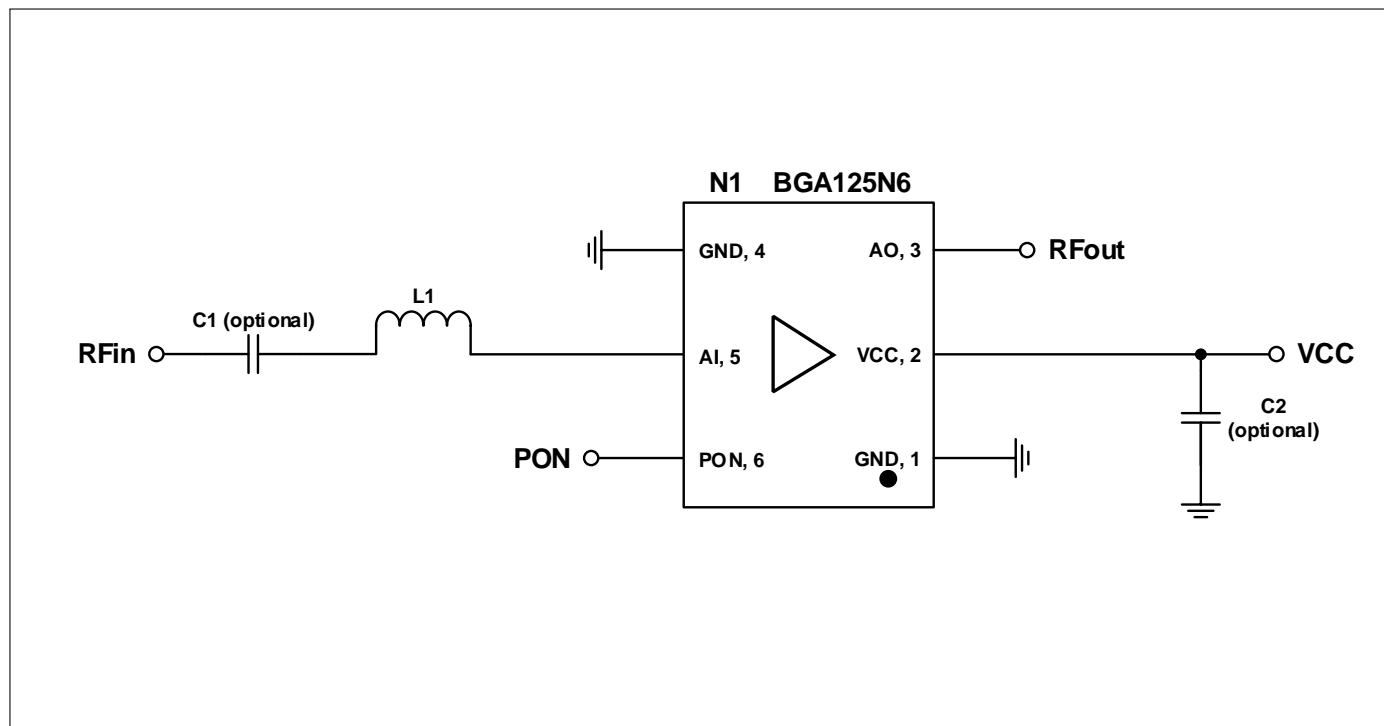


Figure 3: BGA125N6 Application Schematic

Table 7: Bill of Materials Table

Name	Value	Package	Manufacturer	Function
C1 (optional)	1nF	0402	Various	DC block ¹
C2 (optional)	≥ 1nF	0402	Various	RF bypass ²
L1	16nH	0402	Murata LQW15 type	Input matching
N1	BGA125N6	PG-TSNP-6-2	Infineon	GNSS LNA

¹DC block might be realized with pre-filter in GNSS applications.

²RF bypass recommended to mitigate power supply noise.

BGA125N6

Ultra Low Current Low Noise Amplifier for L2/L5 GNSS Applications

Package Information

5 Package Information

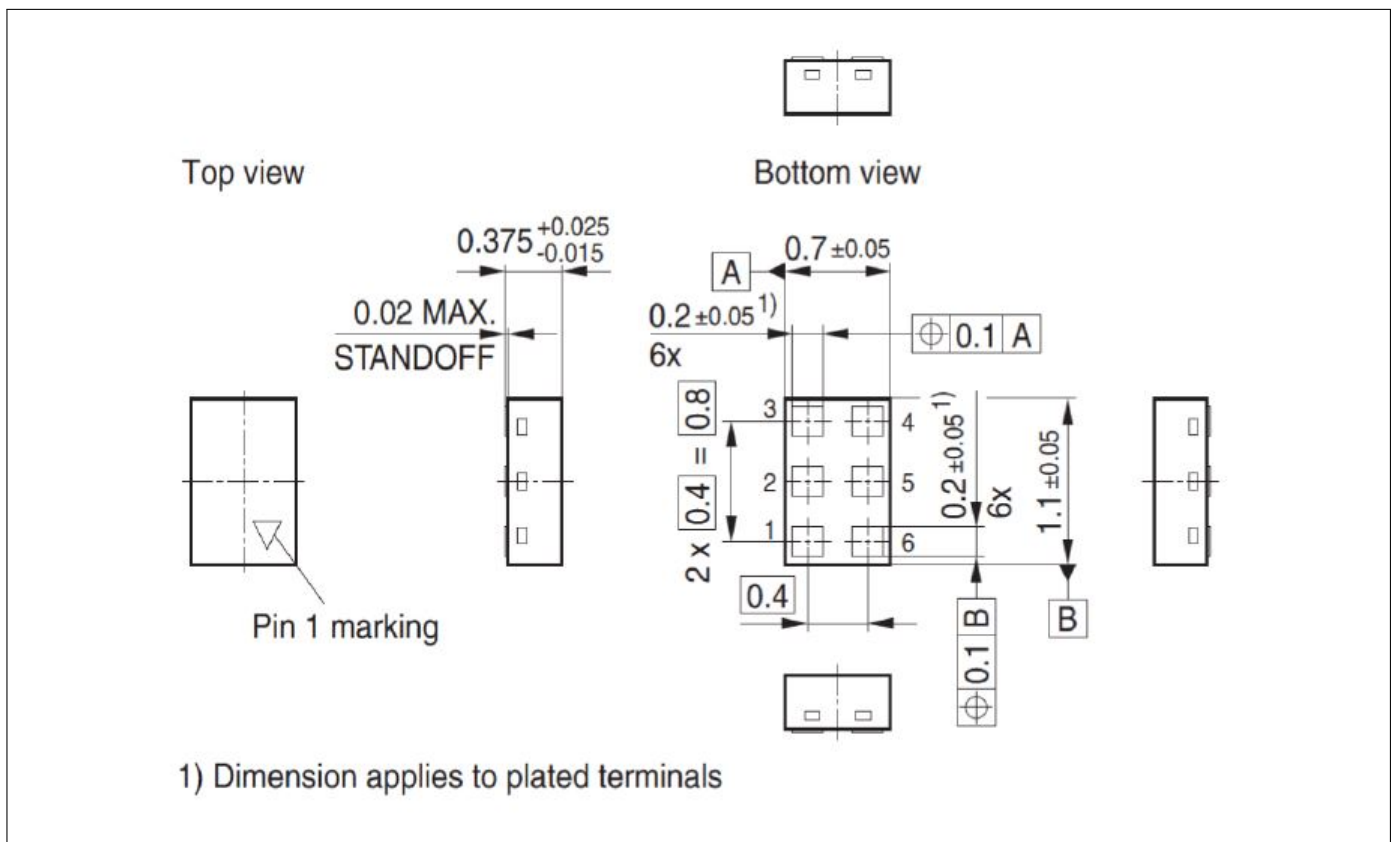


Figure 4: PG-TSNP-6-2 Package Outline (0.7mm x 1.1mm x 0.375mm)

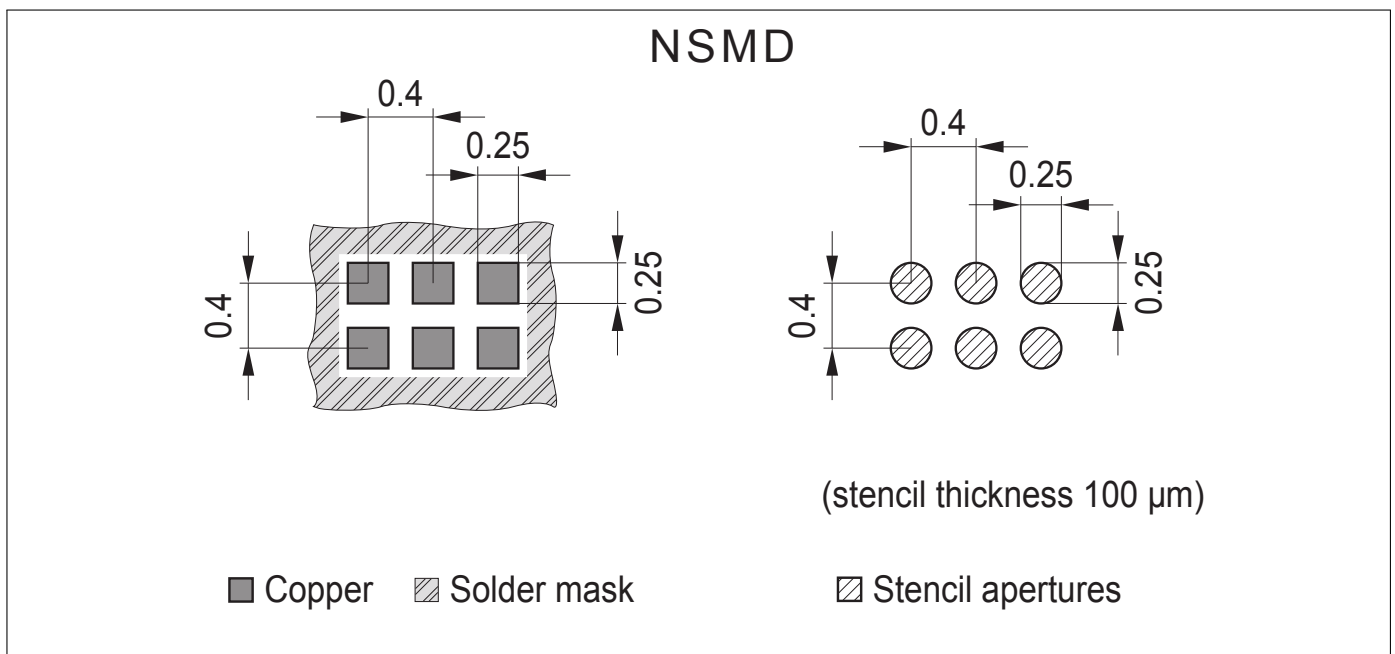


Figure 5: Footprint Recommendation

BGA125N6

Ultra Low Current Low Noise Amplifier for L2/L5 GNSS Applications

Package Information

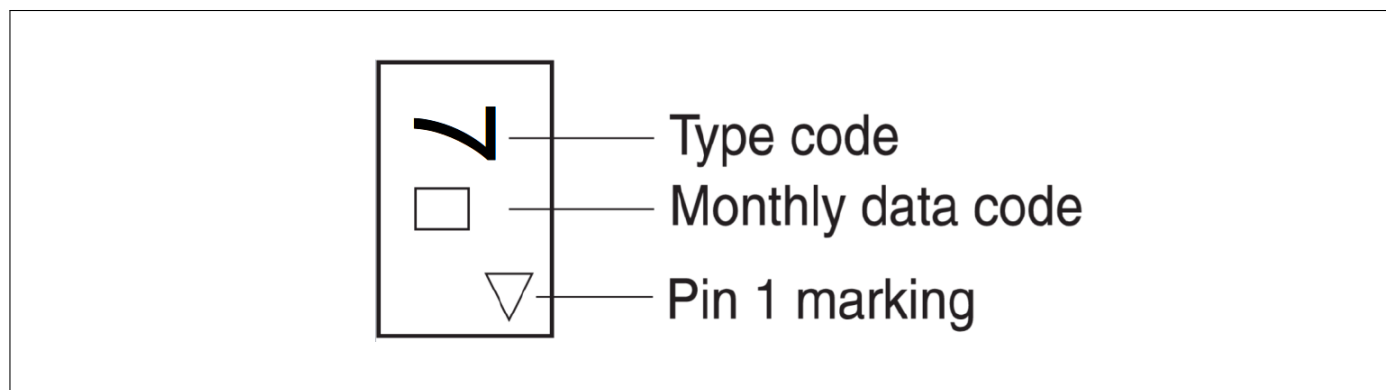


Figure 6: Marking Specification (top view)

Table 8: Monthly Date Code Marking

Month	2015	2016	2017	2018	2019	2020	2021	2022	2023	2024	2025	2026
1	a	p	A	P	a	p	A	P	a	p	A	P
2	b	q	B	Q	b	q	B	Q	b	q	B	Q
3	c	r	C	R	c	r	C	R	c	r	C	R
4	d	s	D	S	d	s	D	S	d	s	D	S
5	e	t	E	T	e	t	E	T	e	t	E	T
6	f	u	F	U	f	u	F	U	f	u	F	U
7	g	v	G	V	g	v	G	V	g	v	G	V
8	h	x	H	X	h	x	H	X	h	x	H	X
9	j	y	J	Y	j	y	J	Y	j	y	J	Y
10	k	z	K	Z	k	z	K	Z	k	z	K	Z
11	l	2	L	4	l	2	L	4	l	2	L	4
12	n	3	N	5	n	3	N	5	n	3	N	5

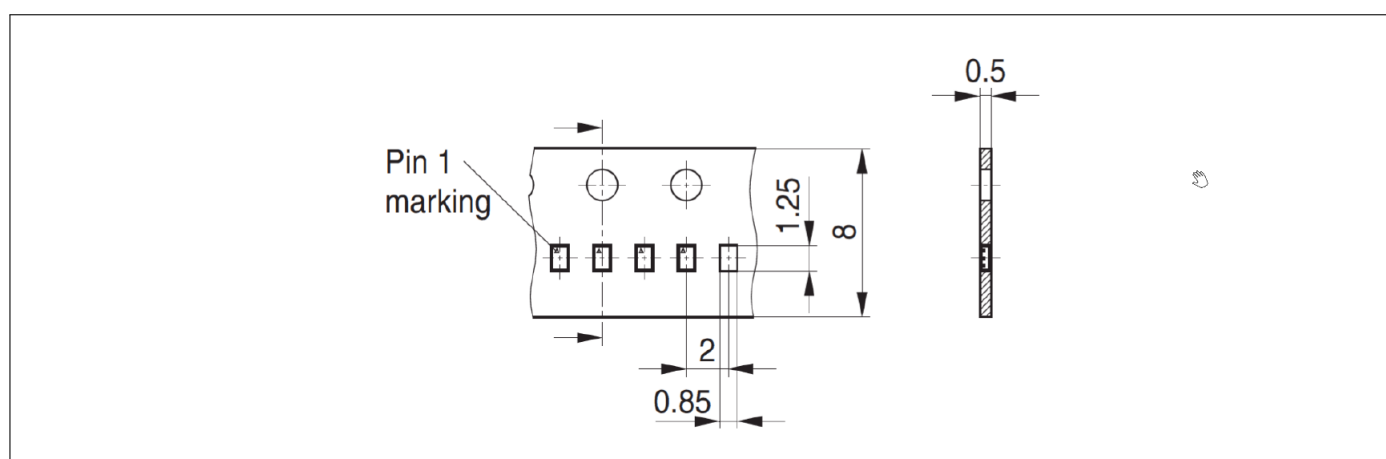


Figure 7: PG-TSNP-6-2 Carrier Tape

BGA125N6

Ultra Low Current Low Noise Amplifier for L2/L5 GNSS Applications



Revision History

-

Page or Item	Subjects (major changes since previous revision)
--------------	--

Revision 2.5, 2023-01-10

Revision History

4-6	Update Power on Voltage for ON-Mode

Trademarks

All referenced product or service names and trademarks are the property of their respective owners.

Edition 2023-01-10

Published by

Infineon Technologies AG

81726 Munich, Germany

© 2023 Infineon Technologies AG.

All Rights Reserved.

Do you have a question about any aspect of this document?

Email: erratum@infineon.com

Document reference

Doc_Number

IMPORTANT NOTICE

The information given in this document shall in no event be regarded as a guarantee of conditions or characteristics ("Beschaffheitsgarantie"). With respect to any examples, hints or any typical values stated herein and/or any information regarding the application of the product, Infineon Technologies hereby disclaims any and all warranties and liabilities of any kind, including without limitation warranties of non-infringement of intellectual property rights of any third party. In addition, any information given in this document is subject to customer's compliance with its obligations stated in this document and any applicable legal requirements, norms and standards concerning customer's products and any use of the product of Infineon Technologies in customer's applications. The data contained in this document is exclusively intended for technically trained staff. It is the responsibility of customer's technical departments to evaluate the suitability of the product for the intended application and the completeness of the product information given in this document with respect to such application.

For further information on technology, delivery terms and conditions and prices, please contact the nearest Infineon Technologies Office (www.infineon.com).



WARNINGS

Due to technical requirements products may contain dangerous substances. For information on the types in question please contact your nearest Infineon Technologies office.

Except as otherwise explicitly approved by Infineon Technologies in a written document signed by authorized representatives of Infineon Technologies, Infineon Technologies products may not be used in any applications where a failure of the product or any consequences of the use thereof can reasonably be expected to result in personal injury.

Looking for pricing, stock, or lifecycle information?

Click below to explore more details on WIN SOURCE:

-  [View BGA125N6E6327XTSA1 on WIN SOURCE](#)
-  [Infineon Technologies Information](#)

Optimize Your Supply Chain with WIN SOURCE Solutions

-  Global Sourcing Solution
-  Obsolete Management
-  Cost Control Management
-  Shortage Management
-  Alternative Solution
-  Excess Inventory Management