



**THE DATASHEET OF
PCIH47F300A1/AA**



6

5

4

3

2

1

D

D

C

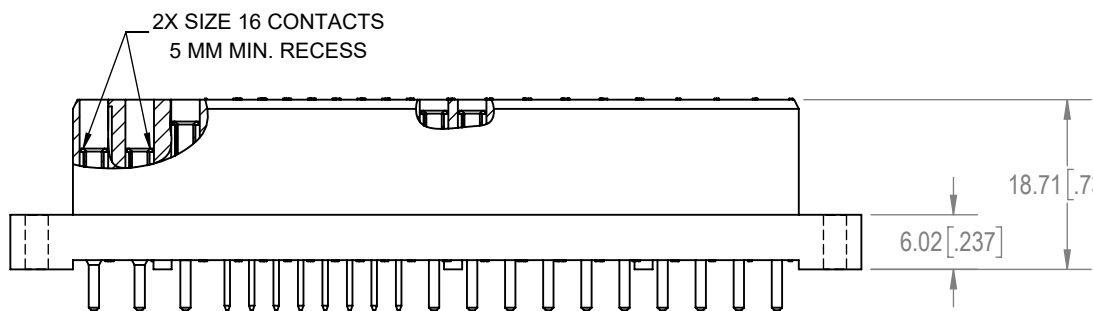
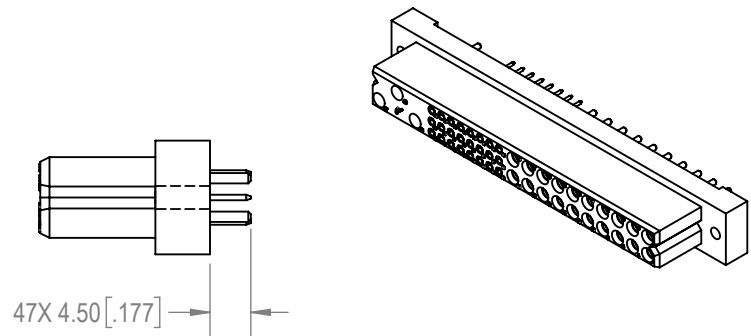
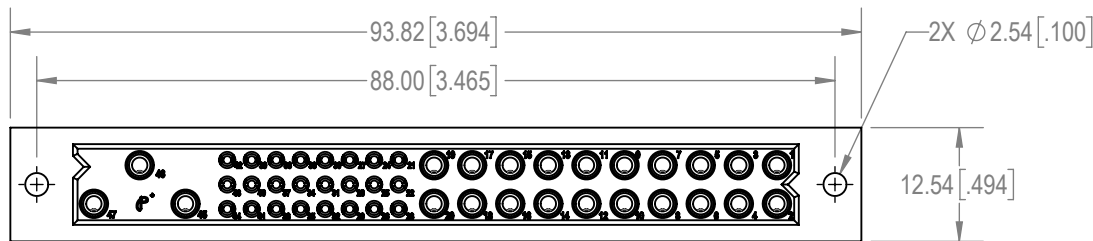
C

B

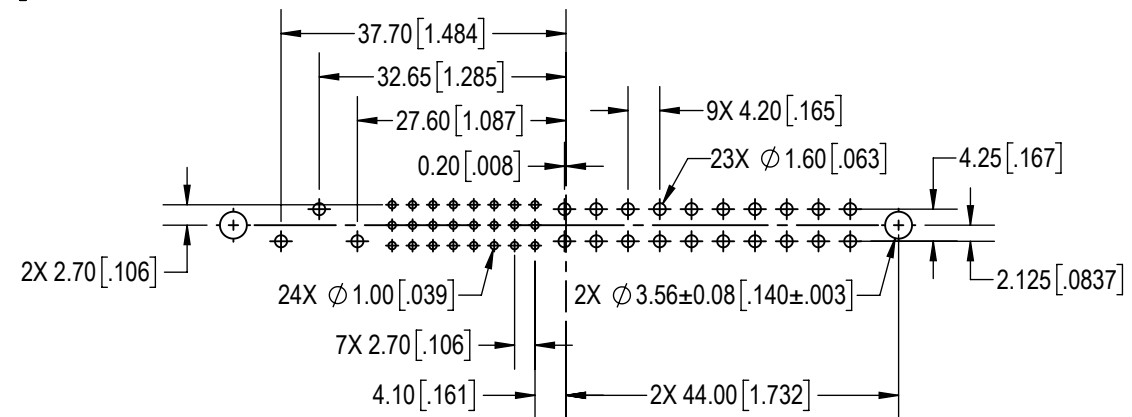
B

A

A




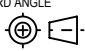
24X Ø 0.61 [.024] 23X Ø 1.14 [.045]



CONTACT HOLE PATTERN

NOTES:

- MATERIALS AND FINISH:**
 INSULATOR: GLASS FILLED POLYESTER, UL 94V-0, COLOR: BLUE.
 SIZE 16 CONTACTS: PRECISION MACHINED HIGH CONDUCTIVITY COPPER ALLOY, GOLD FLASH OVER NICKEL ON MATING END AND TERMINATION END.
 SIZE 22 CONTACTS: PRECISION MACHINED COPPER ALLOY, GOLD FLASH OVER NICKEL ON MATING END AND TERMINATION END.
- DETAILED PRODUCT, MECHANICAL AND ELECTRICAL INFORMATION IS AVAILABLE IN THE LATEST COMPACT POWER PRODUCT PUBLICATION AT CONNECTPOSITRONIC.COM.
- CONNECTORS ARE COMPLIANT TO THE CURRENT RoHS DIRECTIVE.

BY	GJ	CHK	ND	3RD ANGLE	<small>POSITRONIC BELIEVES THE DATA ON THE DRAWING TO BE RELIABLE. THE USER EMPLOYS SUCH INFORMATION AT HIS OWN DISCRETION AND RISK. POSITRONIC ASSUMES NO RESPONSIBILITY FOR RESULTS OBTAINED OR DAMAGES INCURRED FROM USE OF SUCH INFORMATION IN WHOLE OR IN PART.</small>	 Positronic® <small>CONNECTPOSITRONIC.COM</small>
APR	PA	RELEASED DATE: 2020-12-11				
TOLERANCES				SCALE	PART NUMBER	
<small>±0.03mm [.001 INCHES] FOR MALE CONTACT MATING DIAMETERS ±0.08mm [.003 INCHES] FOR CONTACT TERMINATION DIAMETERS ±0.13mm [.005 INCHES] FOR ALL OTHER DIAMETERS ±0.38mm [.015 INCHES] FOR ALL OTHER DIMENSIONS ±5° FOR ALL ANGLES DIMENSION ARE IN MILLIMETERS [INCHES]</small>				NTS	PCIH47F300A1/AA	
				TITLE	PCIH47F300A1/AA	
				CREATED ON:	SHEET	REV
				2020-11-02	SHEET 1 OF 1	A

6

5

4

3

2

1

Looking for pricing, stock, or lifecycle information?

Click below to explore more details on WIN SOURCE:

 [View PCIH47F300A1/AA on WIN SOURCE](#)

 [Amphenol Information](#)

Optimize Your Supply Chain with WIN SOURCE Solutions

-  Global Sourcing Solution
-  Obsolete Management
-  Cost Control Management
-  Shortage Management
-  Alternative Solution
-  Excess Inventory Management