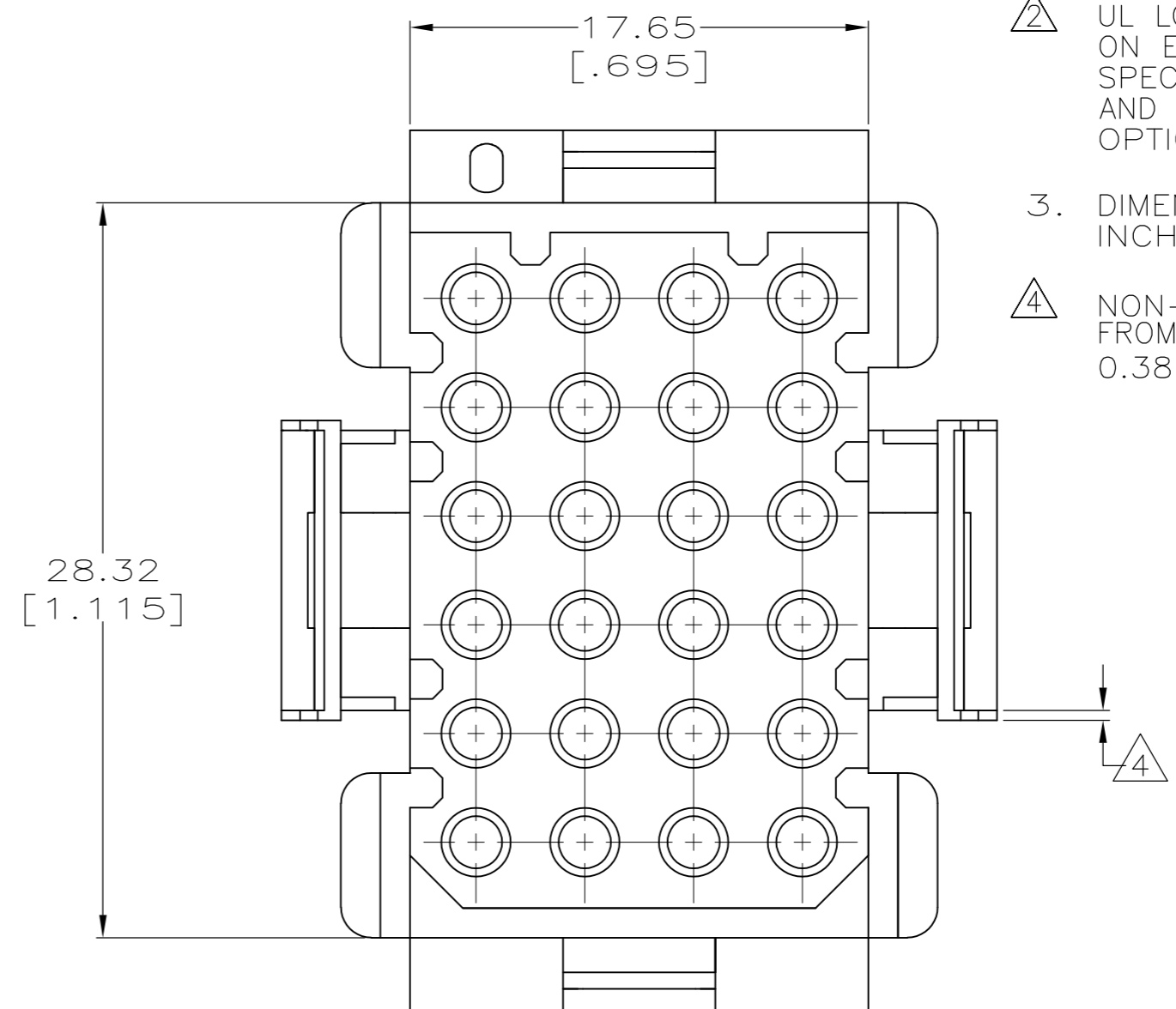
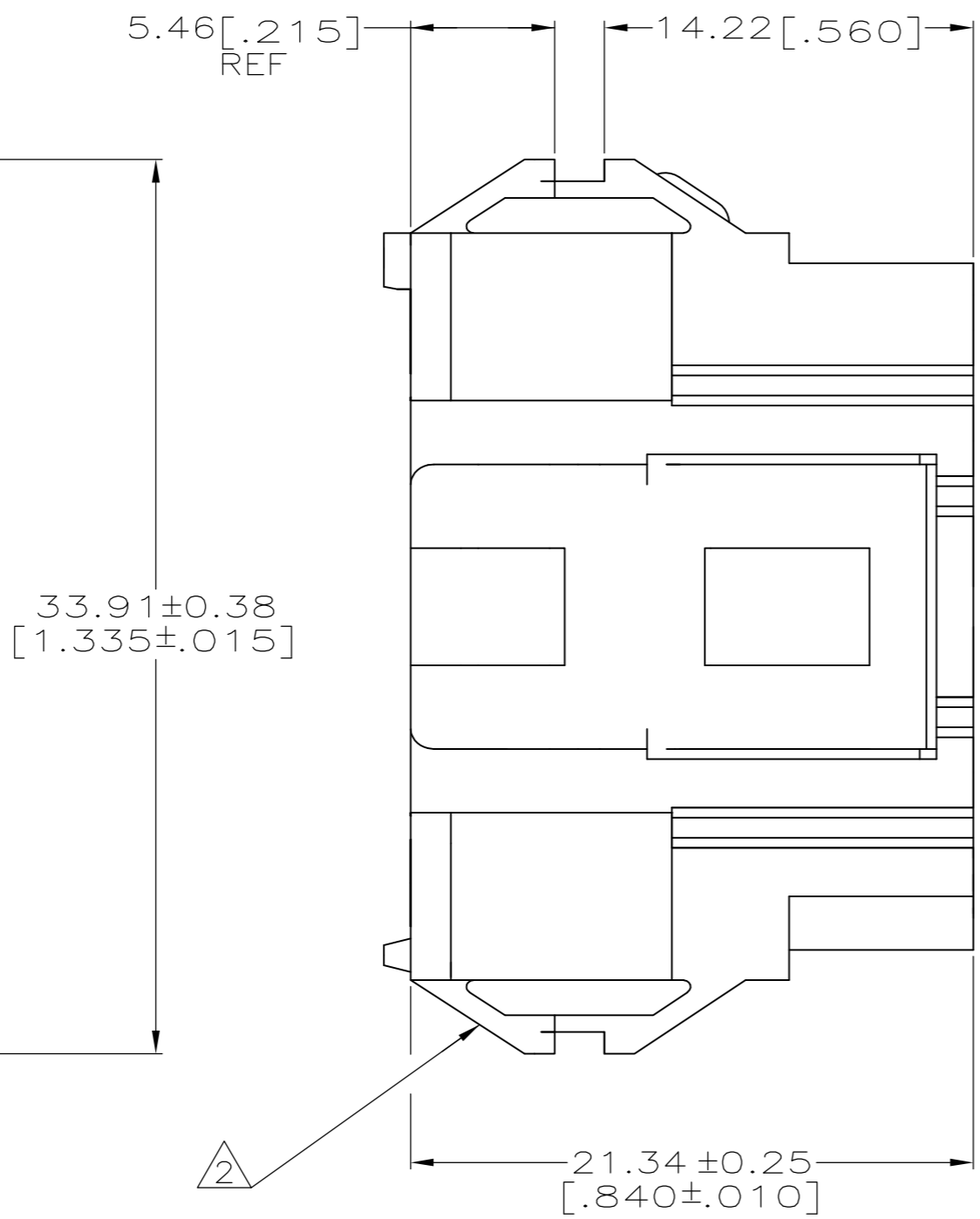
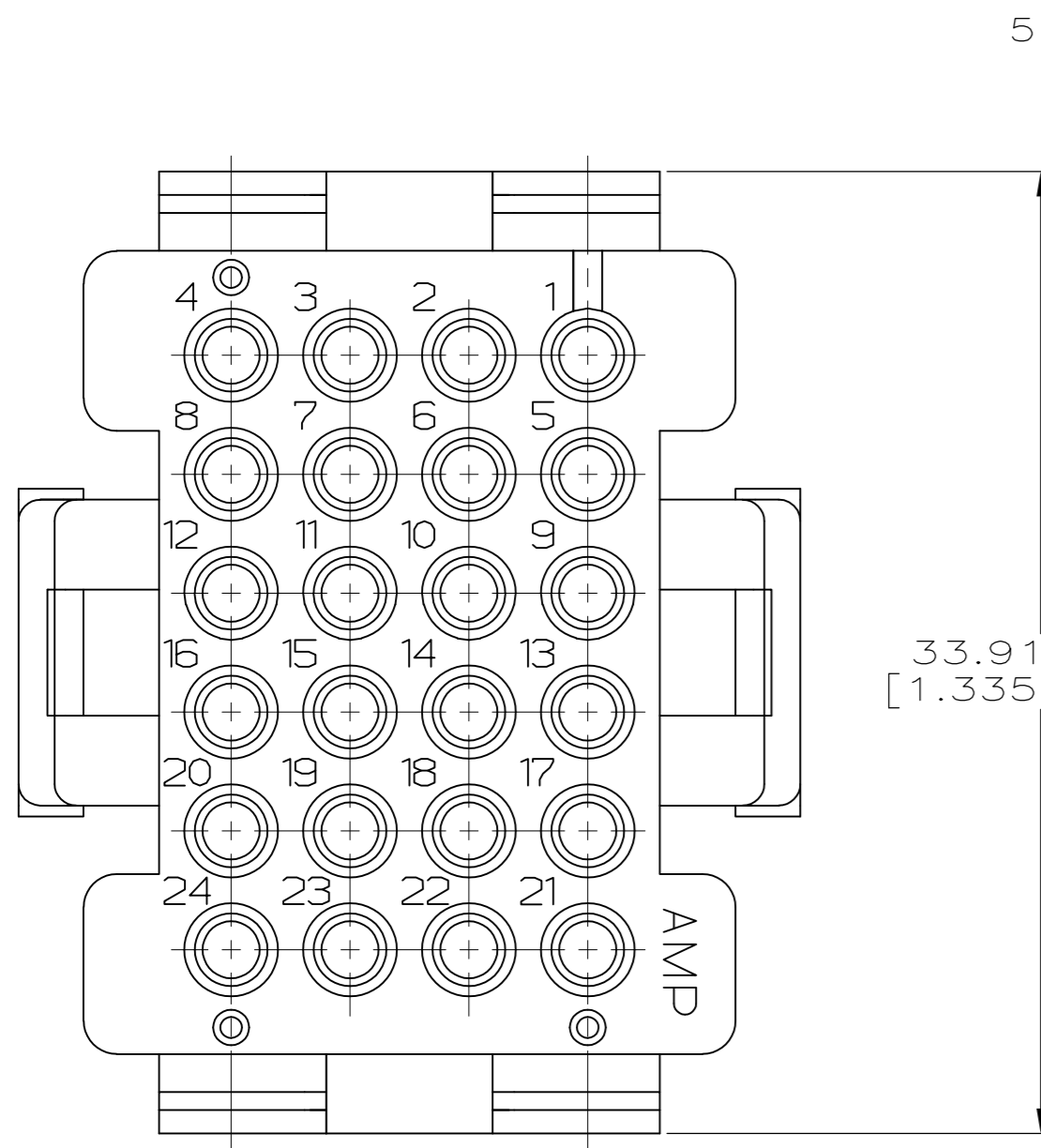
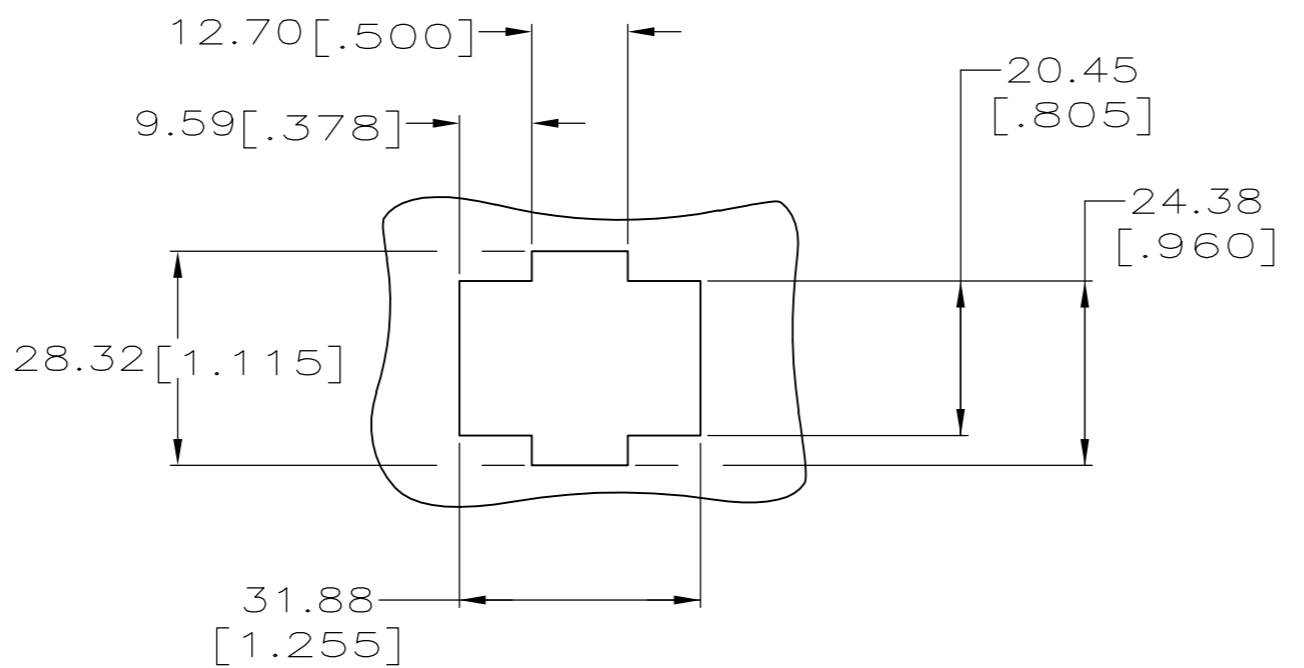
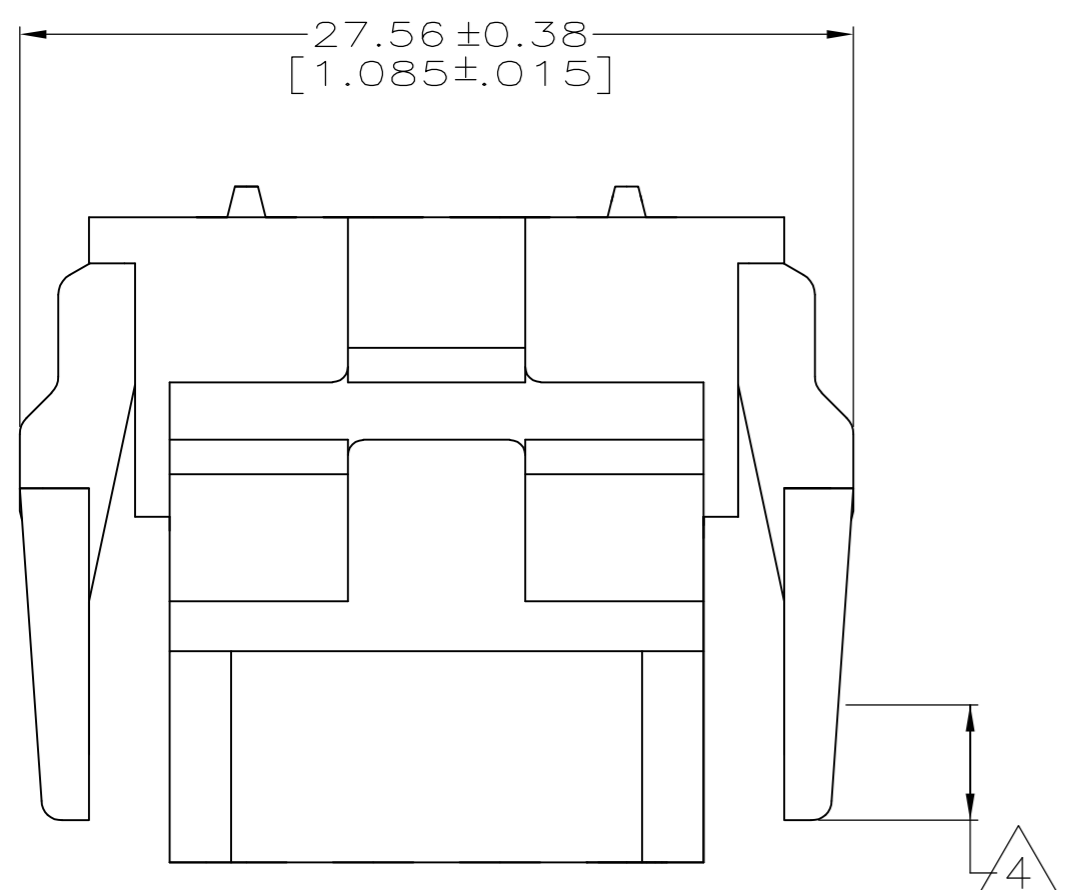


THIS DRAWING IS UNPUBLISHED. RELEASED FOR PUBLICATION
 © COPYRIGHT - By - ALL RIGHTS RESERVED.

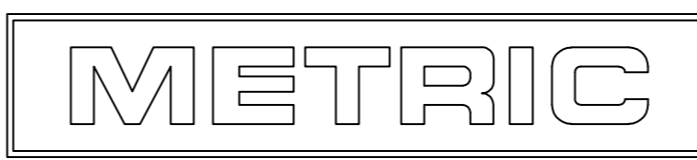
LOC		DIST		REVISIONS			
P	LTR	DESCRIPTION		DATE	DWN	APVD	
CM	52	E1	REVISED PER ECO-11-004917		11MAR11	RK	HMR



- MATES WITH HOUSING 640515.
- UL LOGO AND CSA LOGO TO APPEAR ON EITHER LATCH SURFACE PER AMP SPEC 202-20, I.D. NO. 1-18838-3 AND 1-18839-3. FROST BACKGROUND OPTIONAL.
- DIMENSIONS IN BRACKETS ARE IN INCHES.
- NON-FILL PERMITTED UP TO 3.8 [.15] FROM EDGE OF LATCH ARM ON THE 0.38 [.015] THICK FLANGE, 4 PLC.



RECOMMENDED CUT OUT FOR 1.73 [.068] MAX THICK PANEL SCALE 1:1



1-640525-0
PART NUMBER

THIS DRAWING IS A CONTROLLED DOCUMENT.		DWN	R. VESTAL	12-01-97		TE Connectivity			
DIMENSIONS: mm [INCHES]		CHK	R. SWING	12-01-97		NAME HOUSING, PLUG MRII 24 POSITION	SIZE	A2	
TOLERANCES UNLESS OTHERWISE SPECIFIED:		APVD	A. BEDDICK	12-01-97			CAGE CODE	00779	DRAWING NO
0 PLC ± -		PRODUCT SPEC				RESTRICTED TO			
1 PLC ± -		APPLICATION SPEC			SCALE	4:1	SHEET	1 OF 1	
2 PLC ± 0.13 [.005]		WEIGHT			REV	E1			
3 PLC ± -		CUSTOMER DRAWING							
4 PLC ± -									
ANGLES ± 0° 30'									
FINISH -									
MATERIAL NYLON, UL 94V-0, NATURAL (BRICK RED)									

Looking for pricing, stock, or lifecycle information?

Click below to explore more details on WIN SOURCE:

 [View 1-640525-0 on WIN SOURCE](#)

 [TE Connectivity](#) Information

Optimize Your Supply Chain with WIN SOURCE Solutions

-  Global Sourcing Solution
-  Obsolete Management
-  Cost Control Management
-  Shortage Management
-  Alternative Solution
-  Excess Inventory Management