



**THE DATASHEET OF
TL1105VF100Q**



SERIES TL1105 SWITCHES

TACT SWITCHES - 6mm x 6mm

TACT SWITCHES

NAVIGATION SWITCHES

PUSHBUTTON SWITCHES

TOGGLE SWITCHES

ROCKER SWITCHES

SLIDE SWITCHES

SNAP-ACTION SWITCHES

DIP SWITCHES

KEYLOCK SWITCHES

ROTARY SWITCHES

DETECTOR SWITCHES

CAP OPTIONS



SPECIFICATIONS

| | |
|------------------------|---|
| Contact Rating: | 50mA @ 12 VDC (50mA @ 50VDC-gold) |
| Life Expectancy: | 100,000 cycles |
| Contact Resistance: | 100mΩ max., typical @ 2-4 VDC 100mA for both silver and gold plated contacts |
| Insulation Resistance: | 100MΩ min. |
| Dielectric Strength: | 250 VAC |
| Actuation Force: | 100 ± 50 gf, 160 ± 50 gf, 250 ± 50 gf |
| Operating Temperature: | -20°C to 70°C |
| Travel: | 0.25 Typ |

MATERIALS

| | |
|------------|-----------------------|
| Housing: | Nylon or PBT |
| Actuator: | Nylon, Acetal or PBT |
| Cover: | Polyester |
| Contacts: | Gold or silver plated |
| Terminals: | Silver plated brass |

FEATURES & BENEFITS

- ▶ Reliable dome contact technology
- ▶ Strong tactile/audible feedback
- ▶ Multiple operating force options

APPLICATIONS/MARKETS

- ▶ Telecommunications
- ▶ Consumer Electronics
- ▶ Audio/visual
- ▶ Medical
- ▶ Testing/instrumentation
- ▶ Computer/servers/peripherals

HOW TO ORDER

| SERIES | MODEL NO. | ACTUATOR ("L" Dimension) | OPERATING FORCE | CONTACT MTL./TERMINATION | CAP (Where Avail.) | CAP COLOR |
|--------------------------|-----------|--|----------------------|--------------------------|---|-----------|
| TL TLE = Earth Ground | 1105 | (None) = 4.3mm A = 5.0mm B = 9.5mm C = 8.0mm D = 13.0mm E = 7.3mm F = 7.0mm G = 9.7mm H = 12.5mm K = 13.5mm L = 17.0mm P = 8.5mm Y = 16.3mm T = 2.4mm <input type="checkbox"/> SP = 2.8mm <input type="checkbox"/> | F100 F160 F250 | Q = Silver R = Gold | See Cap Options Caps available for SP option only. | |

- Square Snap-on Actuator Head
"L" Dimension is 7.5mm

| | | | | | | |
|----|---------------------|---|----------------------|------------------------|---|--|
| TL | 1105 (Rt. Angle) | V = 3.85mm W = 3.15mm X = 5.85mm R = 6.15mm M = 6.85mm S = 8.35mm N = 11.85mm Q = 15.85mm J = 2.4mm <input type="checkbox"/> JA = 2.8mm <input type="checkbox"/> | F100 F160 F250 | Q = Silver R = Gold | See Cap Options Caps available for JA option only. | |
|----|---------------------|---|----------------------|------------------------|---|--|

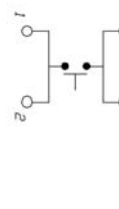
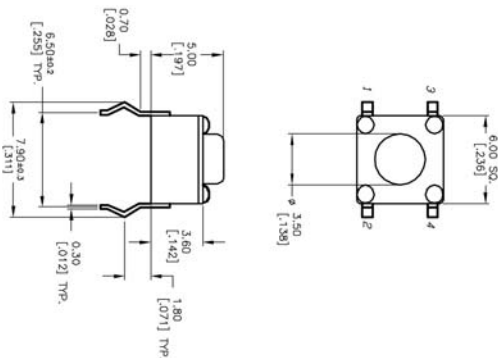
- Square Snap-on Actuator Head
"L" Dimension is 6.35mm

Example Ordering Number
TL-1105-SP-F160-Q-1R RED

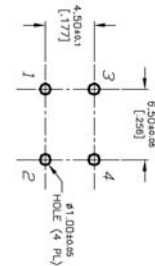
Specifications subject to change without notice 2.28.2018



TL 1105



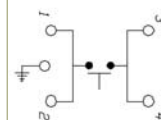
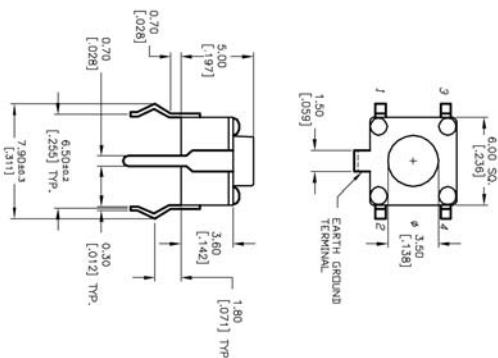
SCHEMATIC



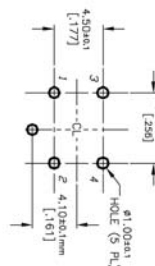
P.C. MOUNTING

TLE 1105

TLE (EARTH TERMINAL)



SCHEMATIC

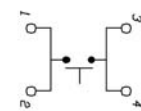
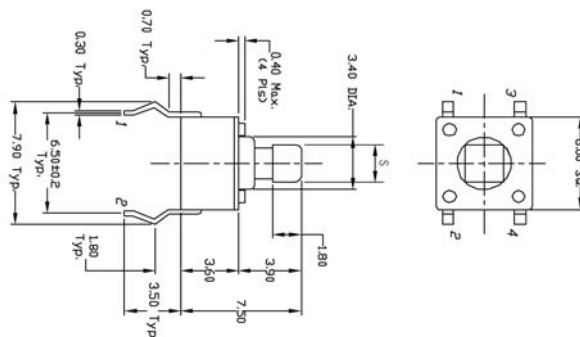


P.C. MOUNTING

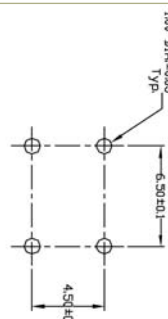
TL 1105 T



| Model No. | 'S' Dim. |
|-----------|----------|
| TL1105T | 2.4 mm |
| TL1105SP | 2.8 mm |



SCHEMATIC



P.C. MOUNTING

TACT SWITCHES

NAVIGATION SWITCHES

PUSHBUTTON SWITCHES

TOGGLE SWITCHES

ROCKER SWITCHES

SLIDE SWITCHES

SNAP-ACTION SWITCHES

DIP SWITCHES

KEYLOCK SWITCHES

ROTARY SWITCHES

DETECTOR SWITCHES

CAP OPTIONS

SERIES TL1105 SWITCHES

TACT SWITCHES - 6mm x 6mm

TACT SWITCHES

NAVIGATION SWITCHES

PUSHBUTTON SWITCHES

TOGGLE SWITCHES

ROCKER SWITCHES

SLIDE SWITCHES

SNAP-ACTION SWITCHES

DIP SWITCHES

KEYLOCK SWITCHES

ROTARY SWITCHES

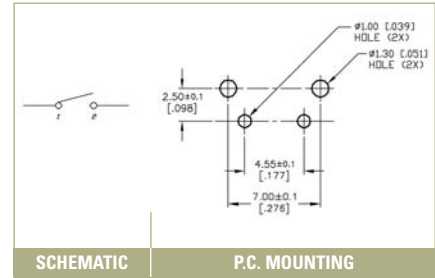
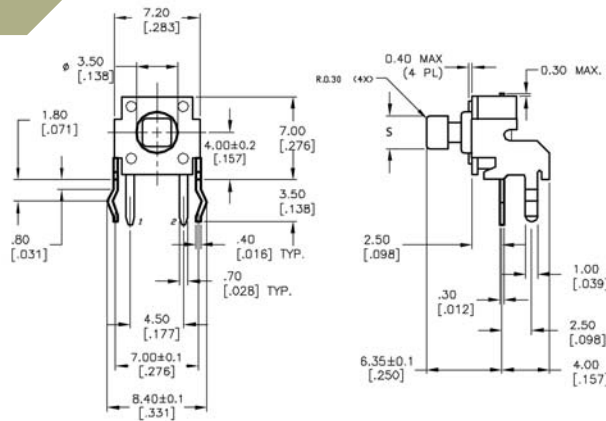
DETECTOR SWITCHES

CAP OPTIONS

TL 1105 J

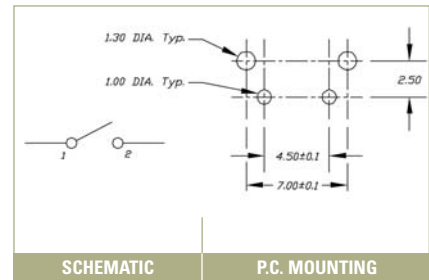
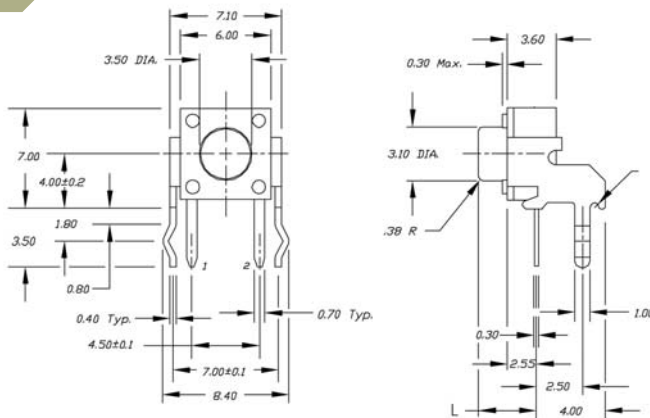


| Model No. | 'S' Dim. |
|-----------|----------|
| TL1105J | 2.4 mm |
| TL1105JA | 2.8 mm |



TL 1105

RIGHT ANGLE







Looking for pricing, stock, or lifecycle information?

Click below to explore more details on WIN SOURCE:

 [View TL1105VF100Q on WIN SOURCE](#)

 [E-Switch Information](#)

Optimize Your Supply Chain with WIN SOURCE Solutions

-  Global Sourcing Solution
-  Obsolete Management
-  Cost Control Management
-  Shortage Management
-  Alternative Solution
-  Excess Inventory Management