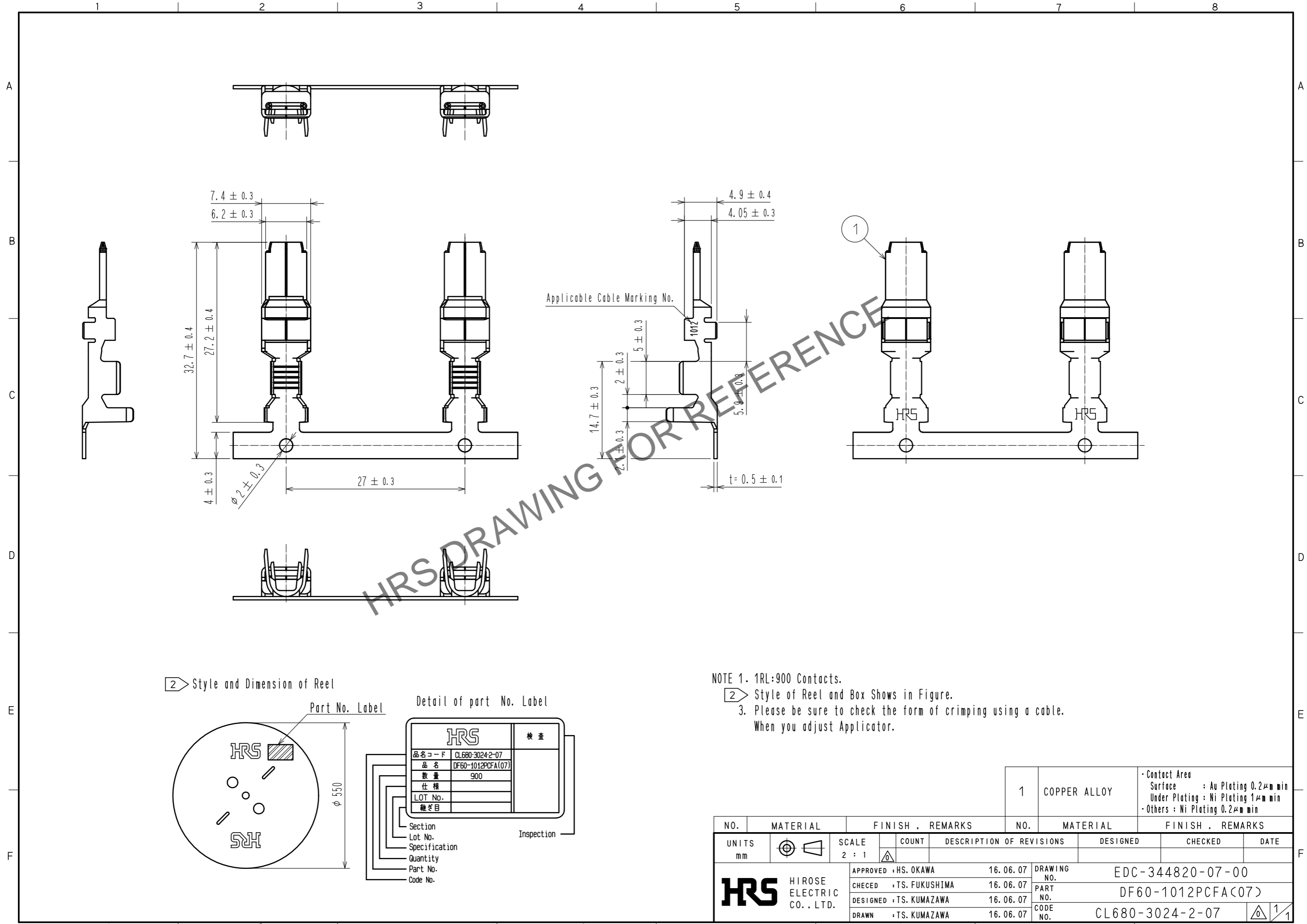
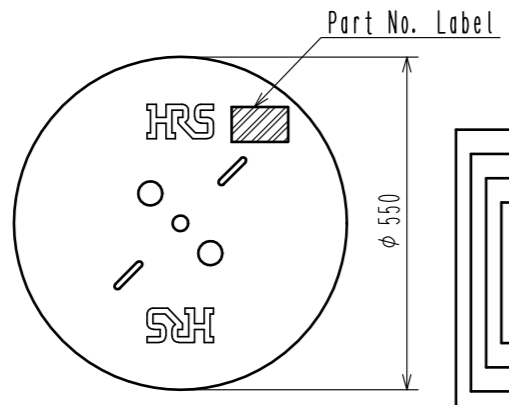


Jun.1.2024 Copyright 2024 HIROSE ELECTRIC CO., LTD. All Rights Reserved.
 In case of consideration for using Automotive equipment / device which demand high reliability, kindly contact our sales window correspondents.



2 Style and Dimension of Reel



Detail of part No. Label

HRS		検査
品名コード	CL680-3024-2-07	
品名	DF60-1012PCFA(07)	
数量	900	
仕様		
LOT No.		
継ぎ目		

Section
 Lot No.
 Specification
 Quantity
 Part No.
 Code No.

Inspection

- NOTE 1. 1RL:900 Contacts.
 2 Style of Reel and Box Shows in Figure.
 3. Please be sure to check the form of crimping using a cable.
 When you adjust Applicator.

NO.	MATERIAL	FINISH . REMARKS	NO.	MATERIAL	FINISH . REMARKS
1	COPPER ALLOY	- Contact Area Surface : Au Plating 0.2μm min Under Plating : Ni Plating 1μm min - Others : Ni Plating 0.2μm min			
UNITS mm	SCALE 2 : 1	COUNT	DESIGNED	CHECKED	DATE
APPROVED : HS. OKAWA		16.06.07	DRAWING NO. EDC-344820-07-00		
CHECKED : TS. FUKUSHIMA		16.06.07	PART NO. DF60-1012PCFA(07)		
DESIGNED : TS. KUMAZAWA		16.06.07	CODE NO. CL680-3024-2-07		
DRAWN : TS. KUMAZAWA		16.06.07	1/1		

Looking for pricing, stock, or lifecycle information?

Click below to explore more details on WIN SOURCE:

- ⊖ [View DF60-1012PCFA\(07\) on WIN SOURCE](#)
- ⊖ [Hirose Electric Co Ltd Information](#)

Optimize Your Supply Chain with WIN SOURCE Solutions

- ✓ Global Sourcing Solution
- ✓ Obsolete Management
- ✓ Cost Control Management
- ✓ Shortage Management
- ✓ Alternative Solution
- ✓ Excess Inventory Management