



**THE DATASHEET OF  
PB-03M**





# PB-03M Specification

Version V1.0.0

Copyright©2021



## Content

|   |    |
|---|----|
| 1. Product Overview.....                  | 4  |
| 1.1. Characteristic.....                  | 5  |
| 2. Main parameters.....                   | 5  |
| 2.1. Static electricity requirements..... | 6  |
| 2.2. Electrical characteristics.....      | 6  |
| 2.3. BLE RF performance.....              | 6  |
| 2.4. Power consumption.....               | 7  |
| 3. Appearance dimensions.....             | 8  |
| 4. Pin definition.....                    | 9  |
| 5. Schematic.....                         | 11 |
| 6. Antenna parameters.....                | 12 |
| 6.1. Test conditions for the antenna..... | 12 |
| 6.2. Antenna S parameter.....             | 13 |
| 6.3. Antenna Gain and Efficiency.....     | 13 |
| 6.4. Antenna field type diagram.....      | 14 |
| 7. Design guidance.....                   | 15 |
| 7.1. Module application circuit.....      | 15 |
| 7.2. Antenna layout requirements.....     | 16 |
| 7.3. Power supply.....                    | 16 |
| 7.4. GPIO.....                            | 18 |
| 8. Flow welding curve diagram.....        | 19 |
| 9. Product related models.....            | 20 |
| 10. Product packaging information.....    | 21 |
| 11. Contact us.....                       | 21 |
| Disclaimer and copyright notice.....      | 22 |
| Notice.....                               | 22 |

# 1. Product Overview

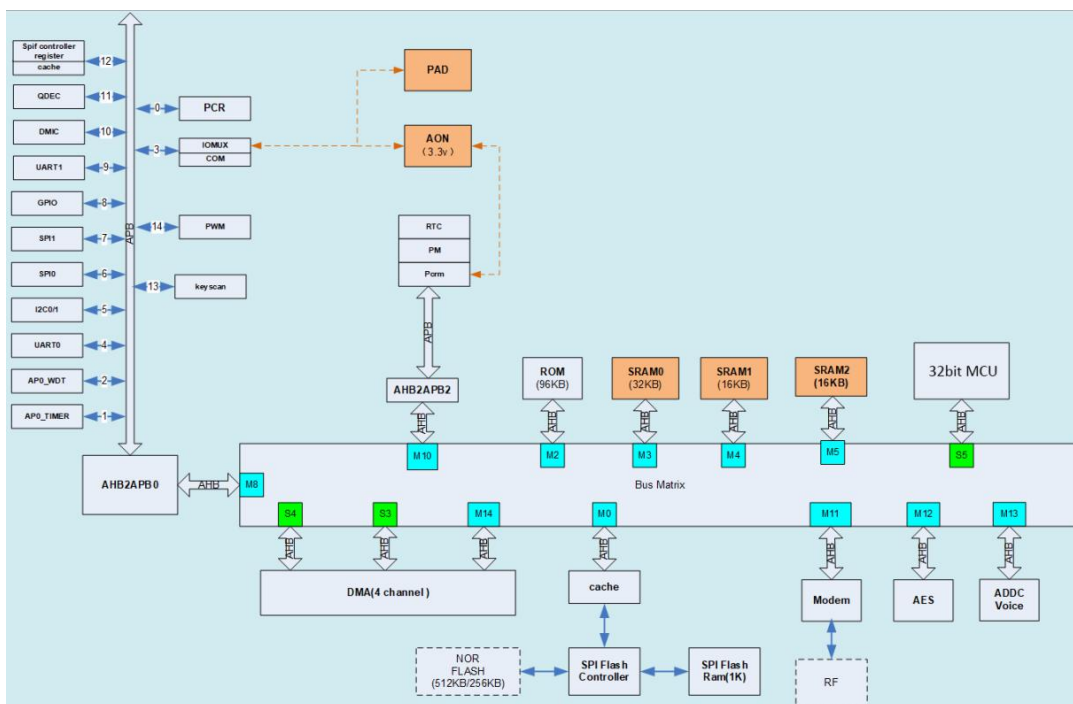
PB-03M is a BLE module developed by Shenzhen Ai-Thinker Technology Co., Ltd. The core processor chip PHY6252(SSOP24) of this module is a BLE SoC with high integration and low power consumption, which is specially designed for various applications such as IoT, mobile devices, wearable electronic devices and smart homes.

PHY6252(SSOP24) chip has industry-leading low power consumption performance and RF performance, it supports BLE 5.2. The chip built in 64 KB SRAM, 256KB flash, 96 KB ROM, 256bit fuse. The chip supports a variety of low-power working states and can meet the power consumption requirements of various application scenarios. RF output power can be adjusted to achieve the best balance among communication distance, communication rate and power consumption.

PB-03M module provide rich peripheral interfaces, including UART, PWM, ADC, I2C, SPI, PDM, DMA and up to 15 IOs.

PB-03M module has many unique hardware security mechanisms. Hardware encryption accelerator supports AES algorithm.

PB-03M module supports BLE with low power consumption: BLE 5.2 and BLE mesh. Bluetooth rate support: 125Kbps, 500Kbps, 1Mbps, 2Mbps. Support broadcast expansion, multi-broadcast, channel selection.



**Figure 1 Main chip architecture diagram**

## 1.1. Characteristic

- Support BLE5.2, rate support:125Kbps, 500Kbps, 1Mbps, 2Mbps
- Own 64 KB SRAM, 256KB flash, 96 KB ROM, 256bit efuse
- Support UART/GPIO/ADC/PWM/I2C/SPI/PDM/DMA interface
- Adopt DIP-18 Gold finger plugin package
- Support multiple sleep modes, deep sleep current is less than 1uA
- Support for serial local upgrade and remote Firmware upgrade (FOTA)
- Universal AT instructions can be used easy and quickly
- Support for secondary development, with an integrated Windows development environment

## 2. Main parameters

**Table 1 Description of the main parameters**

|                              |                                       |
|------------------------------|---------------------------------------|
| <b>Model</b>                 | PB-03M                                |
| <b>Package</b>               | DIP-18 Gold finger plugin             |
| <b>Size</b>                  | 18.0*18.0*2.8(±0.2)mm                 |
| <b>Antenna</b>               | On-board antenna                      |
| <b>Frequency</b>             | 2400 ~ 2483.5MHz                      |
| <b>Operating temperature</b> | -40 °C ~ 85 °C                        |
| <b>Storage temperature</b>   | -40 °C ~ 125 °C , < 90%RH             |
| <b>Power supply</b>          | Voltage 2.7V ~ 3.6V, Current >200mA   |
| <b>Interface</b>             | UART/GPIO/ADC/PWM/I2C/I2S/SPI/PDM/DMA |
| <b>IO</b>                    | 15                                    |
| <b>UART rate</b>             | Default 115200 bps                    |
| <b>Bluetooth</b>             | BLE 5.2                               |
| <b>Security</b>              | AES-128                               |
| <b>SPI Flash</b>             | 256KB                                 |

## 2.1. Static electricity requirements

PB-03M is an electrostatic sensitive device, and special precautions must be taken when handling it.



Figure 2 ESD anti-static diagram

## 2.2. Electrical characteristics

Table 2 Electrical characteristics table

| Parameters           |                 | Conditions | Min.             | Typical value | Max.                | Unit |
|----------------------|-----------------|------------|------------------|---------------|---------------------|------|
| Power supply voltage |                 | VDD        | 2.7              | 3.3           | 3.6                 | V    |
| I/O                  | $V_{IL}/V_{IH}$ | -          | -0.3/0.75V<br>DD | -             | 0.25VDD/VDD<br>+0.3 | V    |
|                      | $V_{OL}/V_{OH}$ | -          | N/0.8VIO         | -             | 0.1VIO/N            | V    |
|                      | $I_{MAX}$       | -          | -                | -             | 12                  | mA   |

## 2.3. BLE RF performance

Table 3 BLE RF performance table

| Description                  | Typical values |               |      | Unit |
|------------------------------|----------------|---------------|------|------|
| Operating frequency          | 2400 - 2483.5  |               |      | MHz  |
| <b>Output power</b>          |                |               |      |      |
| Mode                         | Min.           | typical value | Max. | Unit |
| BLE 2Mbps                    | -20            | 8             | 10   | dBm  |
| BLE 1Mbps                    | -20            | 8             | 10   | dBm  |
| BLE 500Kbps                  | -20            | 8             | 10   | dBm  |
| BLE 125kbps                  | -20            | 8             | 10   | dBm  |
| <b>Receiving sensitivity</b> |                |               |      |      |
| Mode                         | Min.           | typical value | Max. | Unit |

|             |   |      |   |     |
|-------------|---|------|---|-----|
| BLE 2Mbps   | - | -93  | - | dBm |
| BLE 1Mbps   | - | -96  | - | dBm |
| BLE 500Kbps | - | -97  | - | dBm |
| BLE 125Kbps | - | -102 | - | dBm |

## 2.4. Power consumption

The following power consumption data are based on a 3.3V power supply, ambient temperature of 25°C and measured using an internal regulator.

- All measurements were completed without the SAW filter at the antenna interface.
- All emission data were measured based on the TX\_Burst\_Test & RX\_Burst\_Test mode

**Table 4 Power consumption table**

| Mode   | Min. | Average value | Max. | Unit |
|--|------|---------------|------|------|
| TX_Burst_Test Power output 8dBm                | -    | 11.5          | -    | mA   |
| TX_Burst_Test Power output 5dBm                | -    | 9             | -    | mA   |
| TX_Burst_Test Power output 0dBm                | -    | 8             | -    | mA   |
| RX_Burst_Test                                  | -    | 9.4           | -    | mA   |
| Deep Sleep(With broadcast, 1 second interval)  | -    | 50.58         | -    | uA   |
| Deep Sleep(With broadcast, 2 seconds interval) | -    | 28.25         | -    | uA   |
| Deep Sleep(Without broadcast)                  | -    | 7.2           | -    | uA   |
| Power Off                                      | -    | 0.57          | -    | uA   |

### 3. Appearance dimensions

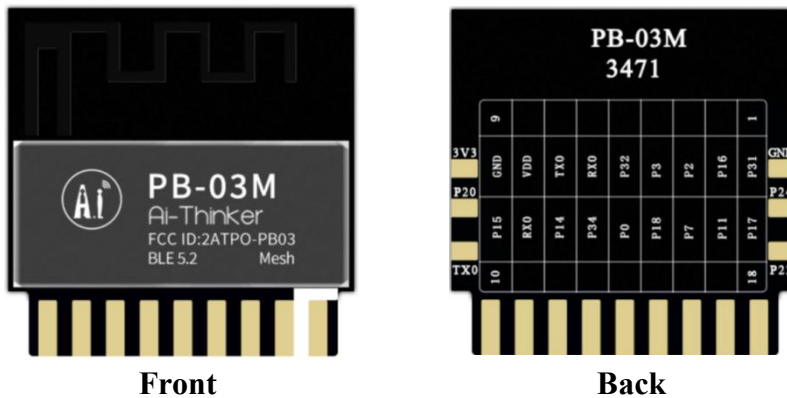


Figure 3 Appearance diagram pictures is for reference only, subject to physical objects)

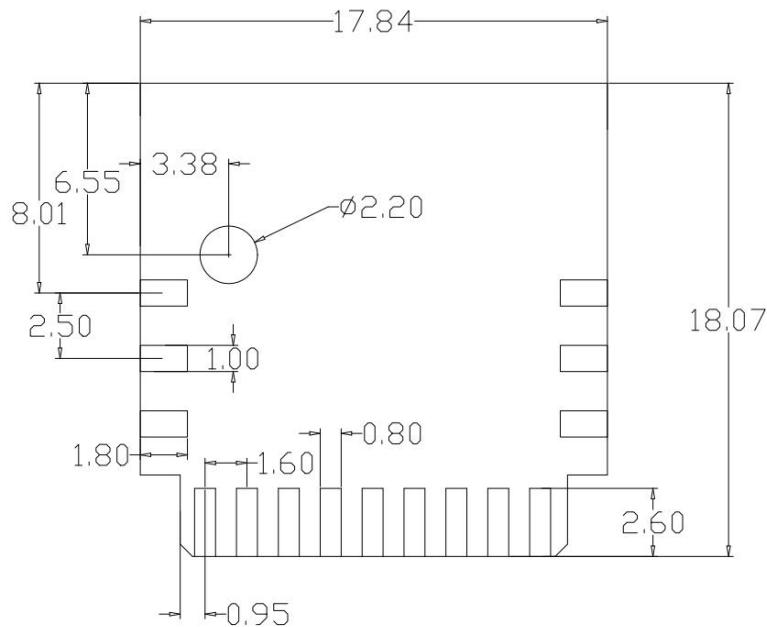


Figure 4 Module size diagram

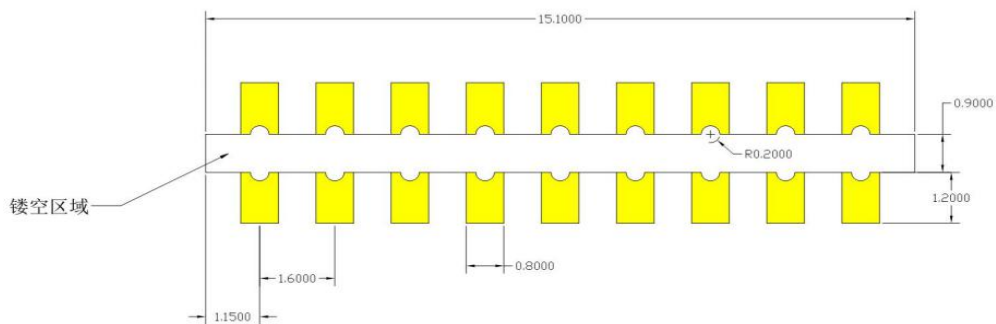


Figure 5 Recommended package of the plug-in

## 4. Pin definition

PB-03M has a total of 22 interfaces. As shown in below pin diagram, the pin function definition table is the interface definition.

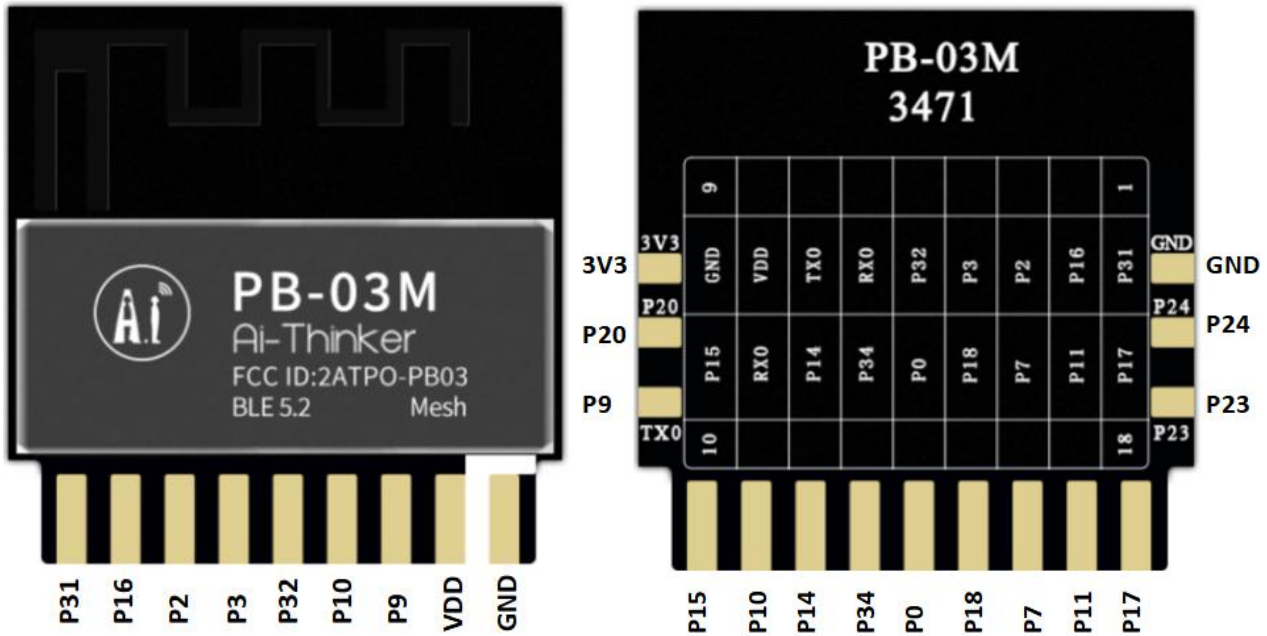


Figure 6 Schematic diagram of module pins (left side is top view, right side is back view)

**Table 6 Pin function definition table**

| No. | Name | Function                              |
|-----|------|---------------------------------------|
| 1   | P31  | GPIO31                                |
| 2   | P16  | GPIO16/32.768KHz crystal input        |
| 3   | P2   | GPIO2/SWD debug data inout            |
| 4   | P3   | GPIO3/SWD debug clock                 |
| 5   | P32  | GPIO32                                |
| 6   | P10  | RXD/GPIO10                            |
| 7   | P9   | TXD/GPIO9                             |
| 8   | VDD  | Power input                           |
| 9   | GND  | Ground (Power negative electrode)     |
| 10  | P15  | GPIO15/ADC input 4/micbias output     |
| 11  | P10  | GPIO10/RXD                            |
| 12  | P14  | GPIO14/ADC input 3                    |
| 13  | P34  | GPIO34                                |
| 14  | P0   | GPIO0                                 |
| 15  | P18  | GPIO18/ADC input 7/PGA negative input |
| 16  | P7   | GPIO7                                 |
| 17  | P11  | GPIO11/ADC input 0                    |
| 18  | P17  | GPIO17/32.768KHz crystal output       |



## 6. Antenna parameters

### 6.1. Test conditions for the antenna



**Figure 8 Antenna test conditions**

## 6.2. Antenna S parameter

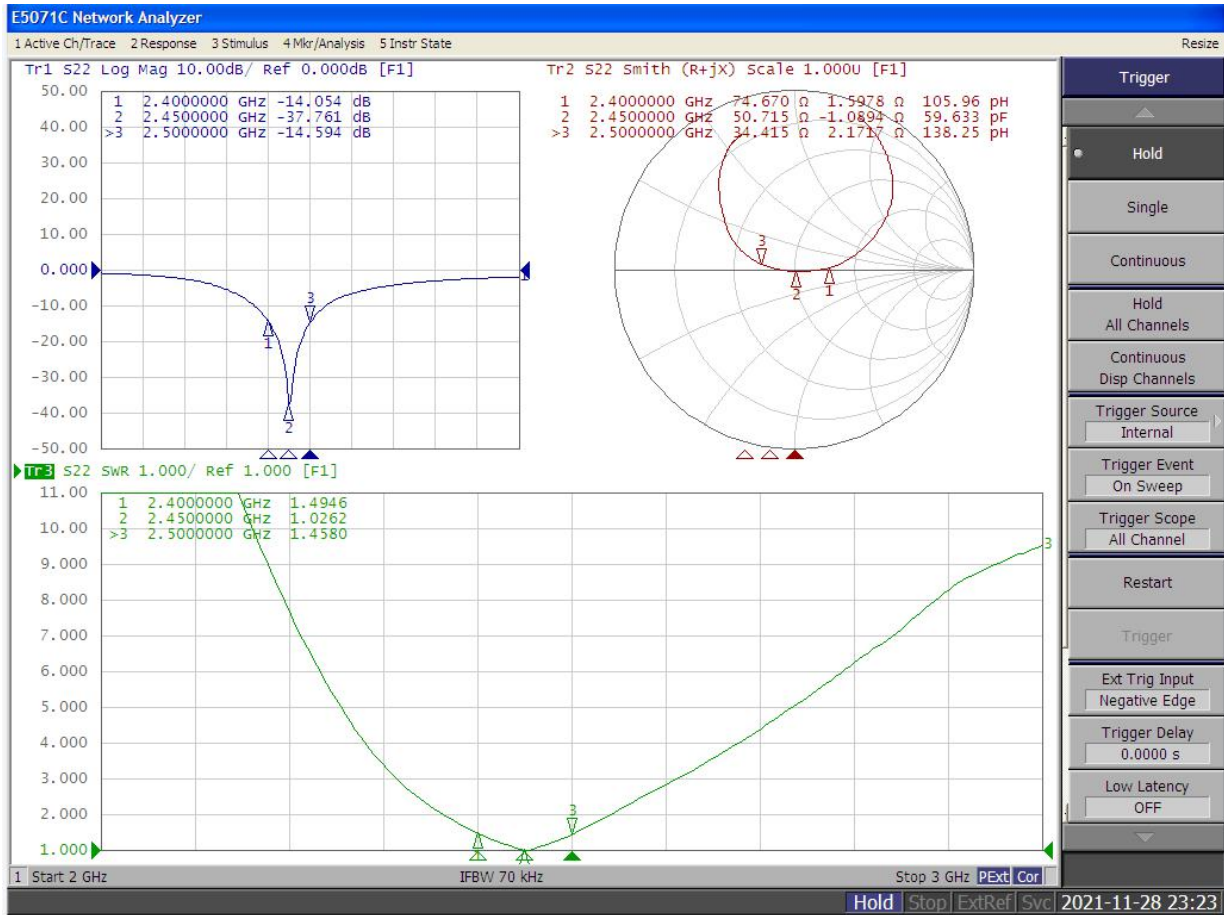


Figure 9 Antenna S parameters

## 6.3. Antenna Gain and Efficiency

Table 7 Antenna Gain and efficiency

| Frequency ID    | 1      | 2      | 3      | 4      | 5      | 6      | 7      | 8      | 9      | 10     | 11     |
|-----------------|--------|--------|--------|--------|--------|--------|--------|--------|--------|--------|--------|
| Frequency (MHz) | 2400.0 | 2410.0 | 2420.0 | 2430.0 | 2440.0 | 2450.0 | 2460.0 | 2470.0 | 2480.0 | 2490.0 | 2500.0 |
| Gain (dBi)      | 0.98   | 1.09   | 1.05   | 0.95   | 0.94   | 1.11   | 1.39   | 1.65   | 1.72   | 1.86   | 1.76   |
| Efficiency (%)  | 49.69  | 51.06  | 51.50  | 51.96  | 52.35  | 53.98  | 55.58  | 56.94  | 57.07  | 59.47  | 58.11  |

### 6.4. Antenna field type diagram

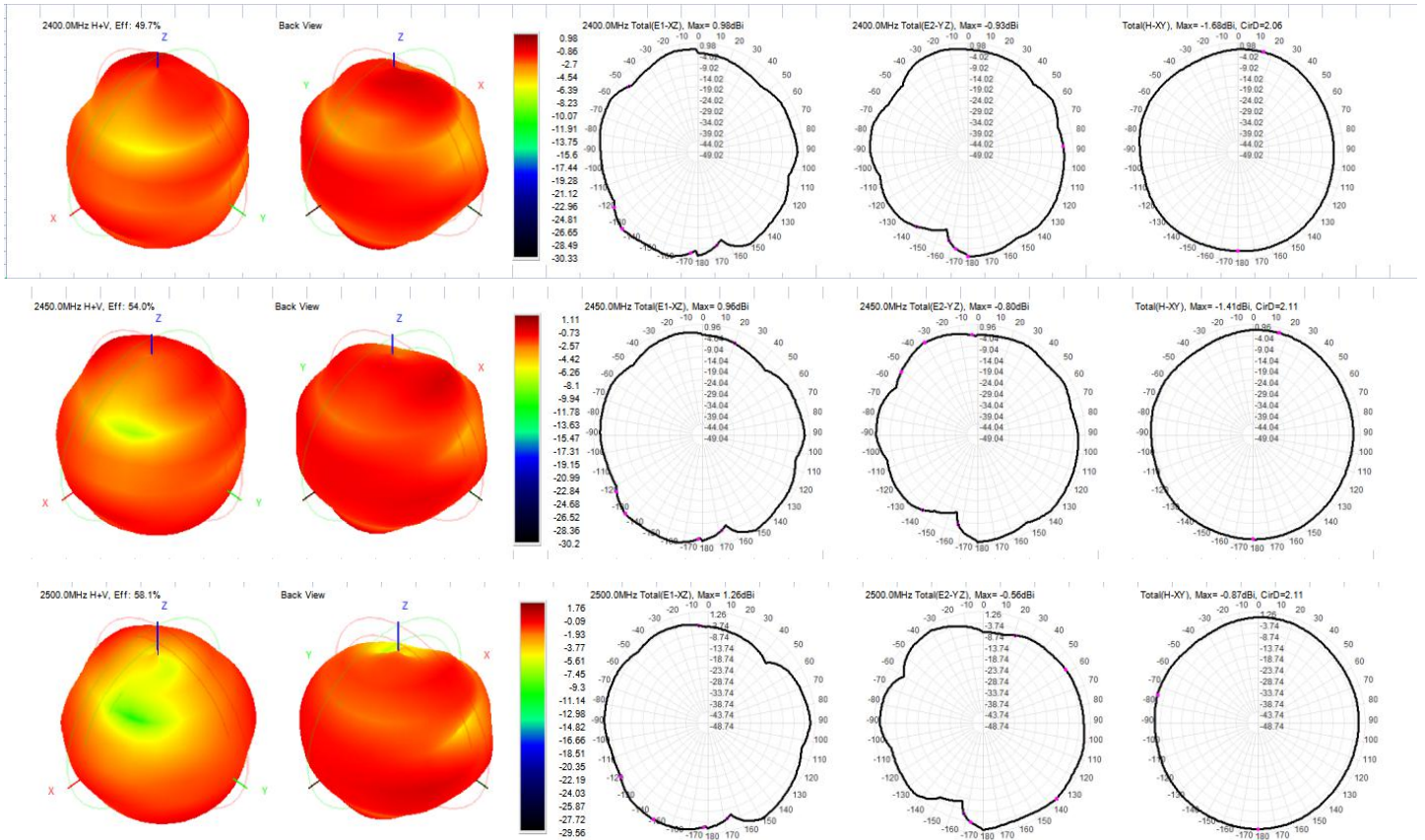
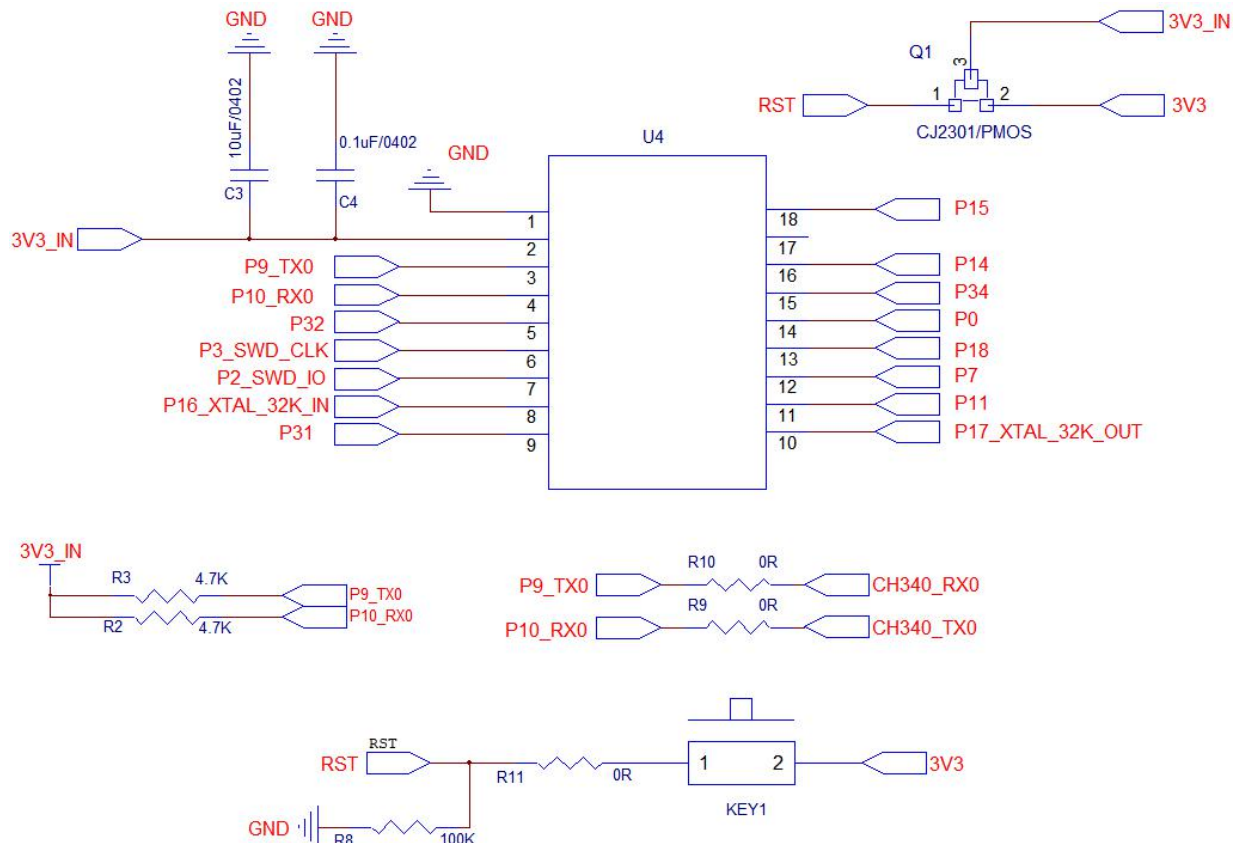


Figure 10 Antenna field type diagram

## 7. Design guidance

### 7.1. Module application circuit

(>= 200mA, suggest use DC-DC or LDO independent power supply)



**Figure 11 Application circuit diagram**

Note:

- Because the PB-03M does not have the reset pin, we can achieve the reduction by power off, we can restore the module with a PMOS to achieve the reduction of power off.
- TX & RX serial port line, 2 resistors are reserved, in series in the line. The 3.3V voltage used to prevent the serial port affects the reset of the module.

## 7.2. Antenna layout requirements

- The installation position on the motherboard suggests the following 2 ways:

Scheme 1: Put the module on the edge of the motherboard, and the antenna area out of the motherboard edge

Scheme 2: Put the module on the edge of the motherboard, and empty an area along the antenna position.

- To meet the performance of the on-board antenna, metal parts are not placed around the antenna, away from the high-frequency device

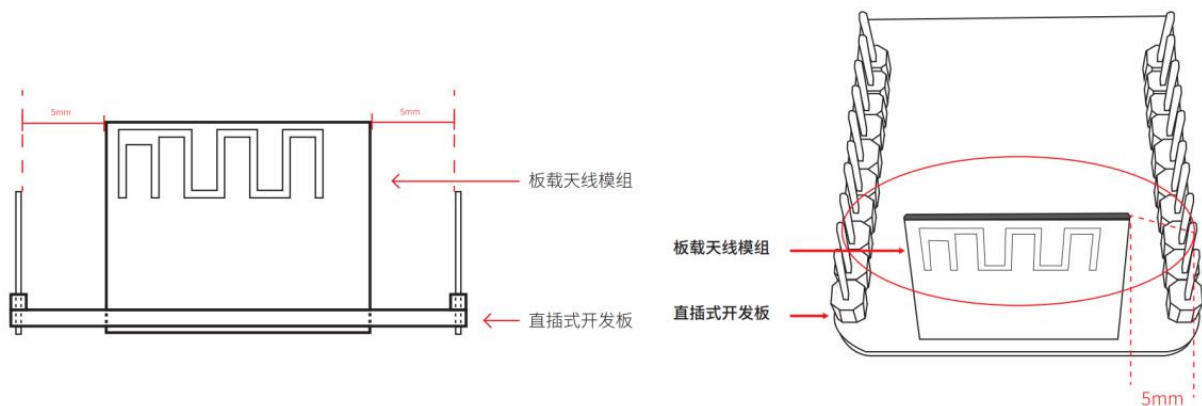


Figure 12 Schematic diagram of the antenna layout

## 7.3. Power supply

- Recommended 3.3V voltage, peak current over 200mA.
- Power supply is recommend to use LDO ; If the DC-DC is used, the ripple is recommended to be controlled within 30mV
- The DC-DC power supply circuit proposes to reserve the dynamic response capacitance to optimize the output ripple with large load changes.
- 3.3V power interface it is recommended to add ESD devices.

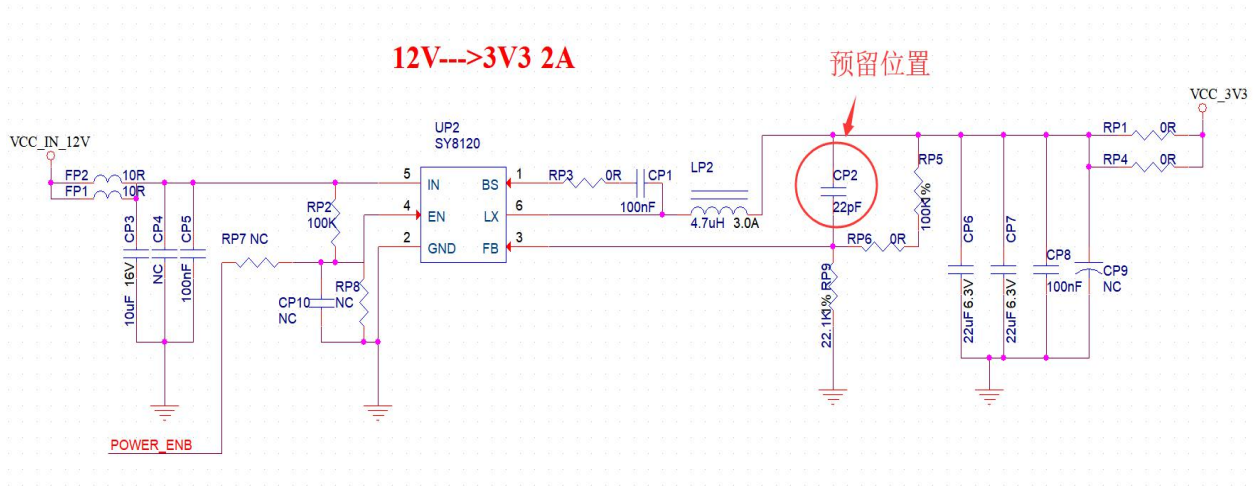


Figure 13 The DC-D C antihypertensive circuit diagram

## 7.4. GPIO

- Some IO ports are lead outside the module, if using, a proposed resistance of 10-100 ohms on the IO port. This suppresses the overshoot and enables smoother levels on both sides, helping for both EMI and ESD.
- The up and down of the special IO port should refer to the use instructions of the specification, which will affect the start-up configuration of the module.
- The IO port of the module is 3.3V, if the main control does not match the IO port level of the module, the level conversion circuit should be increased.
- If the IO port is directly connected to the peripheral interface, or terminals such as pin header, it is recommended to reserve ESD devices at the IO port line near the terminal.

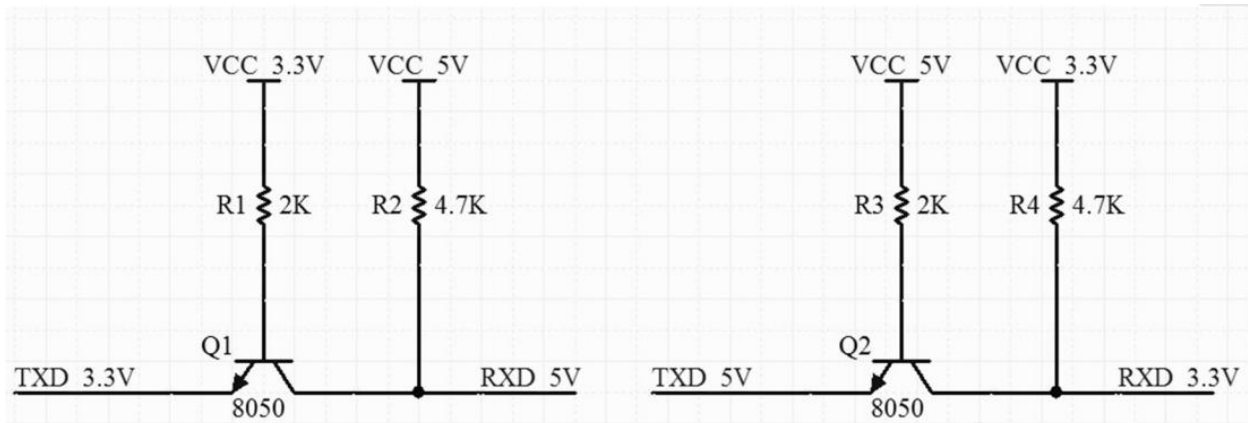


Figure 14 Level convert circuit

## 8. Flow welding curve diagram

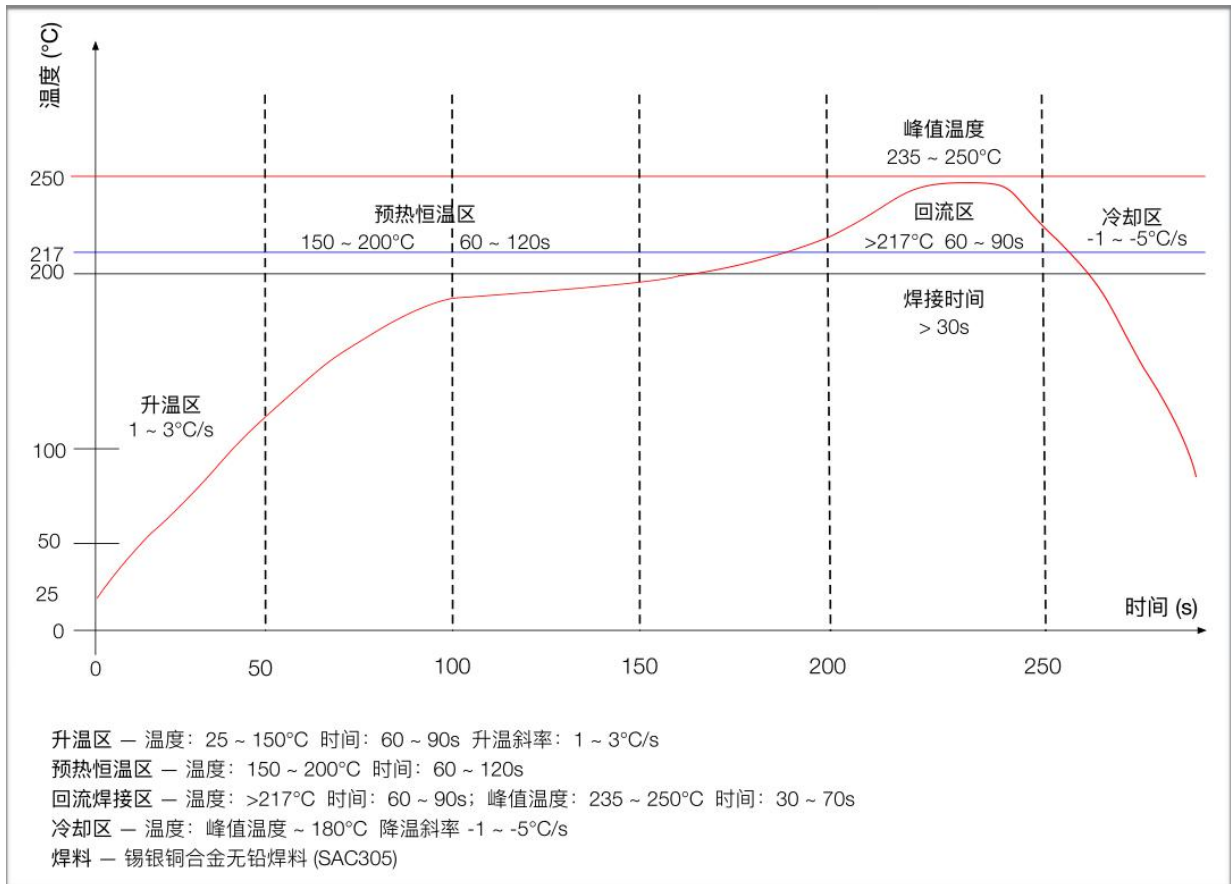


Figure 15 Flow welding diagram

## 9. Product related models

**Table 8 Product related model list**

| Model  | Power Supply            | Package                         | Size                       | Antenna      |
|--|-------------------------|---------------------------------|----------------------------|--------------|
| PB-03F   | 2.7V ~ 3.6V,<br>I>200mA | SMD-22                          | 24.0*16.0*3.1(±<br>0.2)mm  | On-board PCB |
| PB-03M   | 2.7V ~ 3.6V,<br>I>200mA | DIP-18<br>Gold finger<br>plugin | 18.0*18.0*2.8(±<br>0.2)mm  | On-board PCB |
| PB-03  | 2.7V ~ 3.6V,<br>I>200mA | SMD-61                          | 16.6*13.2*2.8(±<br>0.2)mm  | On-board PCB |
| NodeMCU-<br>PB-03F-Kit   | 5V,<br>I>200mA          | DIP-30                          | 49.3*25.4*12.9(<br>±0.2)mm | On-board PCB |
| NodeMCU-<br>PB-03M-Kit   | 5V,<br>I>200mA          | DIP-20                          | 32.8*28.6*18.3(<br>±0.2)mm | On-board PCB |
| NodeMCU-<br>PB-03-Kit  | 5V,<br>I>200mA          | DIP-30                          | 49.3*25.4*12.9(<br>±0.2)mm | On-board PCB |
| Product related information: <a href="https://docs.ai-thinker.com">https://docs.ai-thinker.com</a> |                         |                                 |                            |              |

## 10. Product packaging information

PB-03M module was packaged in a tape, 800pcs/reel. As shown in the below image:



Figure 16 Package and packing diagram

## 11. Contact us

[Ai-Thinker official website](#)

[Office forum](#)

[Develop DOCS](#)

[LinkedIn](#)

[Tmall shop](#)

[Taobao shop](#)

[Alibaba shop](#)

[Technic support email: support@aithinker.com](mailto:support@aithinker.com)

[Domestic business cooperation: sales@aithinker.com](mailto:sales@aithinker.com)

[Overseas business cooperation: overseas@aithinker.com](mailto:overseas@aithinker.com)

Company Address: Room 403,408-410, Block C, Huafeng Smart Innovation Port, Gushu 2nd Road, Xixiang, Baoan District, Shenzhen.

Tel: +86-0755-29162996



Wechat mini program



Wechat official account

## Disclaimer and copyright notice

The information in this article, including the URL address for reference, is subject to change without notice.

The document is provided "as is" without any guarantee responsibility, including any guarantee for merchantability, suitability for a specific purpose, or non-infringement, and any guarantee mentioned elsewhere in any proposal, specification or sample. This document does not bear any responsibility, including the responsibility for infringement of any patent rights arising from the use of the information in this document. This document does not grant any license for the use of intellectual property rights in estoppel or other ways, whether express or implied.

The test data obtained in the article are all obtained from Ai-Thinker's laboratory tests, and the actual results may vary slightly.

All brand names, trademarks and registered trademarks mentioned in this article are the property of their respective owners, and it is hereby declared.

The final interpretation right belongs to Shenzhen Ai-Thinker Technology Co., Ltd.

## Notice



Due to product version upgrades or other reasons, the contents of this manual may be changed.

Shenzhen Ai-Thinker Technology Co., Ltd. reserves the right to modify the contents of this manual without any notice or prompt.


This manual is only used as a guide. Shenzhen Ai-Thinker Technology Co., Ltd. makes every effort to provide accurate information in this manual. However, Shenzhen Ai-Thinker Technology Co., Ltd. does not guarantee that the contents of the manual are completely free of errors. All statements and information in this manual And the suggestion does not constitute any express or implied guarantee.

## Looking for pricing, stock, or lifecycle information?

Click below to explore more details on WIN SOURCE:

-  [View PB-03M on WIN SOURCE](#)
-  [Ai-Thinker Information](#)

## Optimize Your Supply Chain with WIN SOURCE Solutions

-  Global Sourcing Solution
-  Obsolete Management
-  Cost Control Management
-  Shortage Management
-  Alternative Solution
-  Excess Inventory Management