



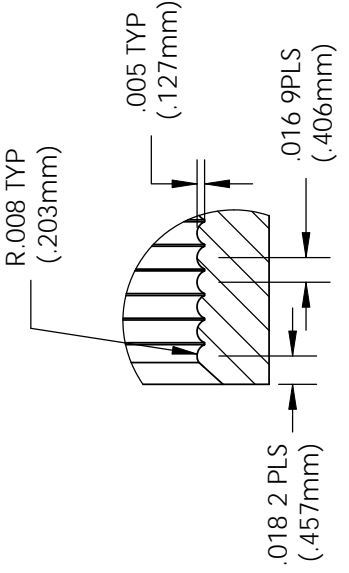
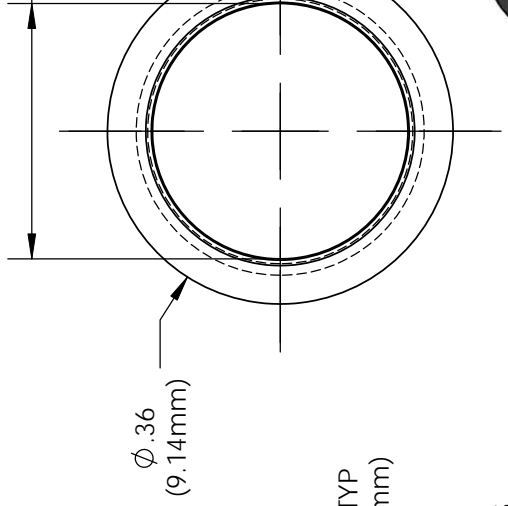
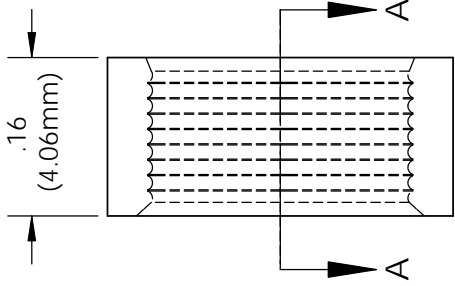
**THE DATASHEET OF  
RNG\_268**



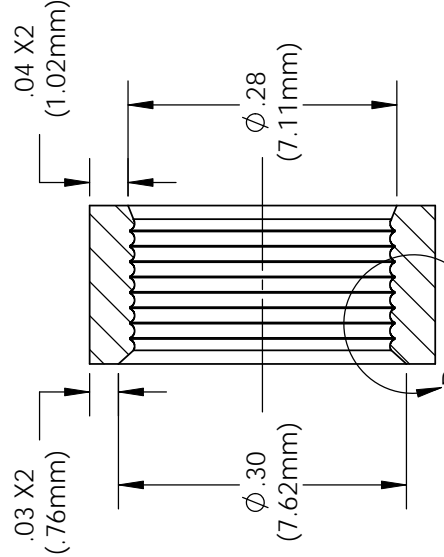
**NOTES:**

1. FINISH: Parts shall have a smooth appearance, min. 600 surface finish, with no gates and all flash removed
2. U.S. & Foreign Pat. issued & Pend.

| REVISION |     | DESCRIPTION        |
|----------|-----|--------------------|
| ECN #    | REV |                    |
|          | 1   | VARIOUS            |
|          | 2   | WAS .275 IS .272   |
|          | 3   | WAS .272 IS .265   |
|          | 001 | REVISED PER ECR 11 |
| 145      | 002 | CHANGE IN MATERI   |



DETAIL B  
SCALE 8 : 1



SECTION A-A

ISOM

|  |  |                |                    |          |
|--|--|----------------|--------------------|----------|
| UNLESS OTHERWISE SPECIFIED<br>DIMENSIONS ARE IN INCHES:<br>ANGLES DECIMALS<br>± 1°<br>XX ±.020<br>XXX ±.010<br>FINISH .XXX ±.005<br>BREAK ALL CORNERS AND SHARP<br>EDGES 50% MAX | MATERIAL<br>50% POLYPROPYLENE (BLACK)<br>50% ELASTOCON |                | TITLE:<br>CLIF     |          |
|  | FINISH<br>SEE NOTES                                    |                | SIZE<br>A          | DWG<br>A |
| THIRD ANGLE PROJECTION   | APPROVALS  |                | DATE               |          |
|  | DRAWN<br>K.Howard                                      | CHECKED<br>DPZ | 2/11/10<br>2/22/10 |          |
| DO NOT SCALE DRAWING   |  |                |                    |          |



PROPRIETARY AND CONFIDENTIAL  
THE INFORMATION CONTAINED IN THIS  
DRAWING IS THE PROPERTY OF VISUAL  
COMMUNICATIONS COMPANY, INC.  
NO PART OF THIS DRAWING OR THE  
WHOLE THEREOF IS TO BE REPRODUCED,  
COPIED, OR TRANSMITTED IN ANY  
MANNER WITHOUT THE WRITTEN PERMISSION  
OF VISUAL COMMUNICATIONS COMPANY, INC.

## Looking for pricing, stock, or lifecycle information?

Click below to explore more details on WIN SOURCE:

- ⊖ [View RNG\\_268 on WIN SOURCE](#)
- ⊖ [Visual Communications Company - VCC Information](#)

## Optimize Your Supply Chain with WIN SOURCE Solutions

- ✓ Global Sourcing Solution
- ✓ Obsolete Management
- ✓ Cost Control Management
- ✓ Shortage Management
- ✓ Alternative Solution
- ✓ Excess Inventory Management