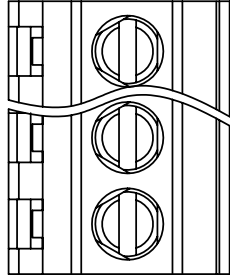




**THE DATASHEET OF
VN03A150000G**



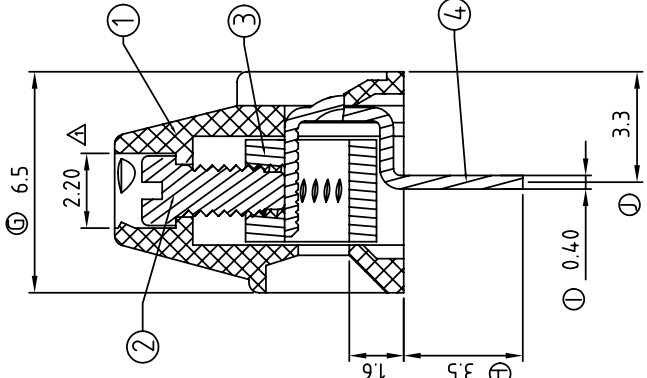
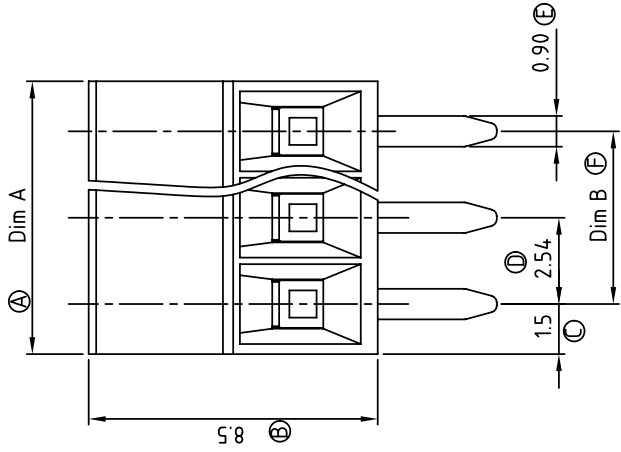


N = Number of poles
 Dim A = $N \times 2.54 + 0.4$
 Dim B = $(N - 1) \times 2.54$

	Dim A	Dim B
2-6p	± 0.15	± 0.10
7-12p	± 0.20	± 0.20
13-18p	± 0.30	± 0.25
19-24p	± 0.40	± 0.30

Material

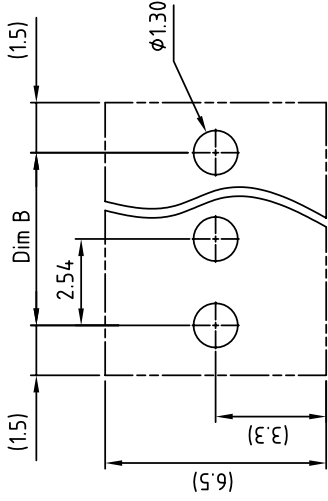
- Item 1
- Item 2
- Item 3
- Item 4



- Electricals
- Voltage
 - Current
 - Wire rat
 - Solid wi
 - Strande
 - Torque:
 - Screw: l
 - Wire str
 - Withsta
 - Operatif
 - Solderin
 - Safety

VN.

- 02 2 CONTACTS
- 03 3 CONTACTS
-
- 24 24 CONTACTS



P.C.B. LAYOUT

ANYT	TITLE	VN 2.54mm Series	
	PART NO.	VNxxA1x0xxxxG	
	APPROVED	CHECKED	DESIGNER
			K 2000

Looking for pricing, stock, or lifecycle information?

Click below to explore more details on WIN SOURCE:

- ⊖ [View VN03A1500000G on WIN SOURCE](#)
- ⊖ [Amphenol Anytek Information](#)

Optimize Your Supply Chain with WIN SOURCE Solutions

- ✓ Global Sourcing Solution
- ✓ Obsolete Management
- ✓ Cost Control Management
- ✓ Shortage Management
- ✓ Alternative Solution
- ✓ Excess Inventory Management