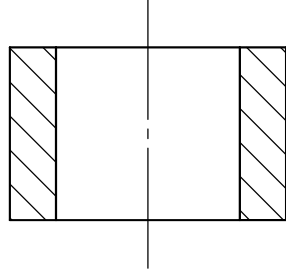
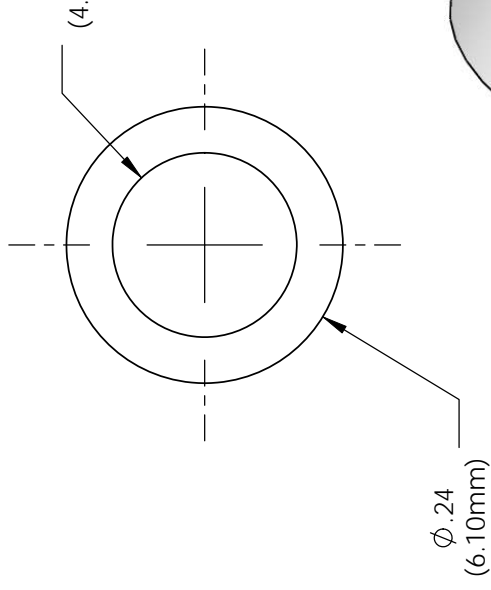
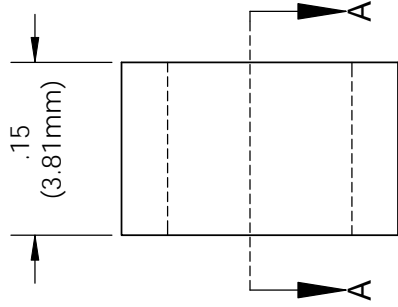


NOTES:

1) U.S. & Foreign Pat. Issued & Pend.

REVISION		DESCRIPTION
ECN #	REV	
	N/A	INITIAL RE
145	001	REVISED PER E
	002	CHANGE IN N



SECTION A-A

ISOMETRIC



UNLESS OTHERWISE SPECIFIED DIMENSIONS ARE IN INCHES: ANGLES DECIMALS XX ±.020 XX ±.010 FINISH .XXX ±.005 BREAK ALL CORNERS AND SHARP EDGES 50% MAX	MATERIAL TPE. BLACK	VISUAL 190 Bossard Phone (760) 5	
		TITLE: CL	
PROPRIETARY AND CONFIDENTIAL THE INFORMATION CONTAINED IN THIS DRAWING IS THE PROPERTY OF VISUAL COMMAND TOOLS COMPANY, INC. NO PART OF THIS DRAWING OR THE WHOLE THEREOF IS TO BE REPRODUCED, COPIED, OR TRANSMITTED IN ANY FORM OR BY ANY MEANS, ELECTRONIC OR MECHANICAL, INCLUDING PHOTOCOPYING, RECORDING, OR BY ANY INFORMATION STORAGE AND RETRIEVAL SYSTEM, WITHOUT THE WRITTEN PERMISSION OF VISUAL COMMAND TOOLS COMPANY, INC.	FINISH SEE NOTES	APPROVALS	DATE
		DRAWN K HOWARD	2/1/10
DO NOT SCALE DRAWING		SIZE DW	SCALE: 6:

5



4

3

2

Looking for pricing, stock, or lifecycle information?

Click below to explore more details on WIN SOURCE:

-  [View RTN_150 on WIN SOURCE](#)
-  [Visual Communications Company - VCC Information](#)

Optimize Your Supply Chain with WIN SOURCE Solutions

-  Global Sourcing Solution
-  Obsolete Management
-  Cost Control Management
-  Shortage Management
-  Alternative Solution
-  Excess Inventory Management