



**THE DATASHEET OF
UHE1C471MPD**



ALUMINUM ELECTROLYTIC CAPACITORS

UHE Miniature Sized, Low Impedance,
High Reliability



- Low impedance and high reliability withstanding 6000 hours to 10000 hours.
- Compliant to the RoHS directive (2011/65/EU,(EU)2015/863).

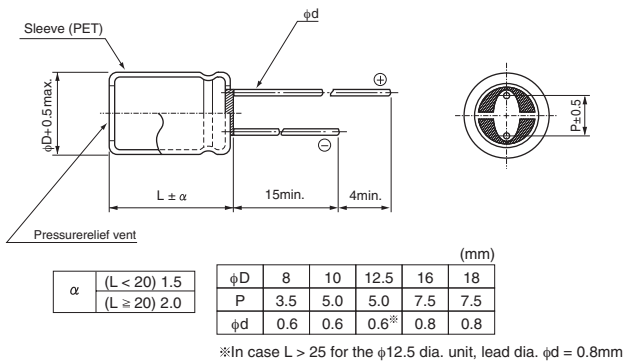


Specifications

| Item | Performance Characteristics | | | | | | | | | | |
|---|--|---|------------|------|-----------|-------------|------|------|------|---------------|---|
| Category Temperature Range | -40 to +105°C | | | | | | | | | | |
| Rated Voltage Range | 6.3 to 100V | | | | | | | | | | |
| Rated Capacitance Range | 27 to 18000μF | | | | | | | | | | |
| Capacitance Tolerance | ±20% at 120Hz, 20°C | | | | | | | | | | |
| Leakage Current ※ | After 2 minutes' application of rated voltage at 20°C, leakage current is not more than 0.01CV (μA). | | | | | | | | | | |
| Tangent of loss angle (tan δ) | Rated voltage (V) | 6.3 | 10 | 16 | 25 | 35 | 50 | 63 | 100 | 120Hz 20°C | |
| | tan δ (max.) | 0.22 | 0.19 | 0.16 | 0.14 | 0.12 | 0.10 | 0.09 | 0.08 | | |
| For capacitance of more than 1000μF, add 0.02 for every increase of 1000μF. | | | | | | | | | | | |
| Stability at Low Temperature | Rated voltage (V) | 6.3 | 10 | 16 | 25 | 35 | 50 | 63 | 100 | 120Hz | |
| | Impedance ratio (max.) | Z(-25°C) / Z(+20°C) | 4 | 3 | 2 | 2 | 2 | 2 | 2 | | 2 |
| | | Z(-40°C) / Z(+20°C) | 8 | 6 | 4 | 3 | 3 | 3 | 3 | | 3 |
| Endurance | The following specifications shall be met when the capacitors are restored to 20°C after D.C. bias plus rated ripple current is applied at 105°C, the peak voltage shall not exceed the rated voltage. | | | | | | | | | | |
| | Case size | φD = 8, 10 | | | φD ≥ 12.5 | | | | | | |
| | Rated voltage | 6.3 to 10V | 6000 hours | | | 8000 hours | | | | | |
| | | 16 to 100V | 7000 hours | | | 10000 hours | | | | | |
| | Capacitance change | Within ±25% of the initial capacitance value | | | | | | | | | |
| | tan δ | 200% or less than the initial specified value | | | | | | | | | |
| Leakage current | Less than or equal to the initial specified value | | | | | | | | | | |
| Marking | Printed with white color letter on black sleeve. | | | | | | | | | | |

※ I : Leakage Current (μA), C : Rated Capacitance (μF), V : Rated Voltage (V)

Radial Lead Type



- Please refer to the Guidelines for Aluminum Electrolytic Capacitors for end seal configuration information.

Type numbering system (Example : 10V 1000μF)



※ Configuration

| φ D | Pb-free leadwire Pb-free PET sleeve |
|------------|--|
| 8 - 10 | PD |
| 12.5 to 18 | HD |

Frequency coefficient of rated ripple current

| Cap. (μF) | Frequency | 50Hz | 120Hz | 300Hz | 1kHz | 10kHz or more |
|---------------|-----------|------|-------|-------|------|---------------|
| 27 | | 0.45 | 0.55 | 0.70 | 0.90 | 1.00 |
| 39 to 330 | | 0.60 | 0.70 | 0.85 | 0.95 | 1.00 |
| 390 to 1000 | | 0.65 | 0.75 | 0.90 | 0.98 | 1.00 |
| 1200 to 18000 | | 0.75 | 0.80 | 0.95 | 1.00 | 1.00 |

● Dimension table in next page.

UHE

■ Dimensions

| Rated Voltage (V) (code) | Rated Capacitance (μ F) | Case Size ϕ D×L (mm) | tan δ | Leakage Current (μ A) (at 20°C after 2 minutes) | Impedance (Ω) max. | | Rated Ripple (mArms) (105°C/100kHz) | Part Number |
|--------------------------------|---------------------------------|------------------------------|--------------|---|--------------------------------|------------------|---|--------------|
| | | | | | 20°C/ 100kHz | -10°C/ 100kHz | | |
| 6.3 (0J) | 680 | 8×11.5 | 0.22 | 42.84 | 0.13 | 0.52 | 640 | UHE0J681MPD |
| | 820 | 10×12.5 | 0.22 | 51.66 | 0.080 | 0.32 | 865 | UHE0J821MPD |
| | 1000 | 8×15 | 0.22 | 63 | 0.087 | 0.35 | 840 | UHE0J102MPD |
| | 1200 | 8×20 | 0.22 | 75.6 | 0.069 | 0.27 | 1050 | UHE0J122MPD |
| | 1200 | 10×16 | 0.22 | 75.6 | 0.060 | 0.24 | 1210 | UHE0J122MPD6 |
| | 1500 | 10×20 | 0.22 | 94.5 | 0.046 | 0.18 | 1400 | UHE0J152MPD |
| | 1800 | 12.5×15 | 0.22 | 113.4 | 0.049 | 0.16 | 1450 | UHE0J182MHD |
| | 2200 | 10×25 | 0.24 | 138.6 | 0.042 | 0.17 | 1650 | UHE0J222MPD |
| | 2700 | 10×30.5 | 0.24 | 170.1 | 0.031 | 0.12 | 1910 | UHE0J272MPD6 |
| | 2700 | 16×15 | 0.24 | 170.1 | 0.042 | 0.12 | 1940 | UHE0J272MHD |
| | 3300 | 12.5×20 | 0.26 | 207.9 | 0.035 | 0.12 | 1900 | UHE0J332MHD |
| | 3900 | 12.5×25 | 0.26 | 245.7 | 0.027 | 0.089 | 2230 | UHE0J392MHD |
| | 3900 | 18×15 | 0.26 | 245.7 | 0.043 | 0.11 | 2210 | UHE0J392MHD6 |
| | 4700 | 12.5×30.5 | 0.28 | 296.1 | 0.024 | 0.078 | 2650 | UHE0J472MHD |
| | 5600 | 12.5×35.5 | 0.30 | 352.8 | 0.020 | 0.065 | 2880 | UHE0J562MHD |
| | 5600 | 16×20 | 0.30 | 352.8 | 0.027 | 0.078 | 2530 | UHE0J562MHD6 |
| | 6800 | 12.5×40 | 0.32 | 428.4 | 0.017 | 0.056 | 3350 | UHE0J682MHD |
| | 6800 | 16×25 | 0.32 | 428.4 | 0.021 | 0.060 | 2930 | UHE0J682MHD6 |
| | 6800 | 18×20 | 0.32 | 428.4 | 0.026 | 0.067 | 2860 | UHE0J682MHD3 |
| | 8200 | 16×30.5 | 0.36 | 516.6 | 0.017 | 0.050 | 3450 | UHE0J822MHD |
| 10000 | 16×35.5 | 0.40 | 630 | 0.015 | 0.044 | 3610 | UHE0J103MHD | |
| 10000 | 18×25 | 0.40 | 630 | 0.019 | 0.049 | 3140 | UHE0J103MHD6 | |
| 12000 | 16×40 | 0.44 | 756 | 0.013 | 0.038 | 4080 | UHE0J123MHD | |
| 12000 | 18×30.5 | 0.44 | 756 | 0.015 | 0.040 | 4170 | UHE0J123MHD6 | |
| 15000 | 18×35.5 | 0.50 | 945 | 0.014 | 0.038 | 4220 | UHE0J153MHD | |
| 18000 | 18×40 | 0.56 | 1134 | 0.012 | 0.032 | 4280 | UHE0J183MHD | |
| 10 (1A) | 470 | 8×11.5 | 0.19 | 47 | 0.13 | 0.52 | 640 | UHE1A471MPD |
| | 680 | 8×15 | 0.19 | 68 | 0.087 | 0.35 | 840 | UHE1A681MPD |
| | 680 | 10×12.5 | 0.19 | 68 | 0.080 | 0.32 | 865 | UHE1A681MPD6 |
| | 1000 | 8×20 | 0.19 | 100 | 0.069 | 0.27 | 1050 | UHE1A102MPD |
| | 1000 | 10×16 | 0.19 | 100 | 0.060 | 0.24 | 1210 | UHE1A102MPD6 |
| | 1200 | 10×20 | 0.19 | 120 | 0.046 | 0.18 | 1400 | UHE1A122MPD |
| | 1500 | 10×25 | 0.19 | 150 | 0.042 | 0.17 | 1650 | UHE1A152MPD |
| | 1500 | 12.5×15 | 0.19 | 150 | 0.049 | 0.16 | 1450 | UHE1A152MHD6 |
| | 2200 | 10×30.5 | 0.21 | 220 | 0.031 | 0.12 | 1910 | UHE1A222MPD |
| | 2200 | 12.5×20 | 0.21 | 220 | 0.035 | 0.12 | 1900 | UHE1A222MHD6 |
| | 2200 | 16×15 | 0.21 | 220 | 0.042 | 0.12 | 1940 | UHE1A222MHD3 |
| | 2700 | 18×15 | 0.21 | 270 | 0.043 | 0.11 | 2210 | UHE1A272MHD |
| | 3300 | 12.5×25 | 0.23 | 330 | 0.027 | 0.089 | 2230 | UHE1A332MHD |
| | 3900 | 12.5×30.5 | 0.23 | 390 | 0.024 | 0.078 | 2650 | UHE1A392MHD |
| | 3900 | 16×20 | 0.23 | 390 | 0.027 | 0.078 | 2530 | UHE1A392MHD6 |
| | 4700 | 12.5×35.5 | 0.25 | 470 | 0.020 | 0.065 | 2880 | UHE1A472MHD |
| | 5600 | 12.5×40 | 0.27 | 560 | 0.017 | 0.056 | 3350 | UHE1A562MHD |
| | 5600 | 16×25 | 0.27 | 560 | 0.021 | 0.060 | 2930 | UHE1A562MHD6 |
| | 5600 | 18×20 | 0.27 | 560 | 0.026 | 0.067 | 2860 | UHE1A562MHD3 |

For cut leads, formed leads or taped parts, please add the appropriate code after the size code (12th digit).

If there is no size code in the part number, please add size code "1" and then add the appropriate code.

UHE

■ Dimensions

| Rated Voltage (V) (code) | Rated Capacitance (μF) | Case Size φD×L (mm) | tan δ | Leakage Current (μA) (at 20°C after 2 minutes) | Impedance (Ω) max. | | Rated Ripple (mArms) (105°C/100kHz) | Part Number |
|-----------------------------|------------------------|---------------------|-------|---|-----------------------|------------------|--|--------------|
| | | | | | 20°C/ 100kHz | -10°C/ 100kHz | | |
| 10 (1A) | 6800 | 16×30.5 | 0.29 | 680 | 0.017 | 0.050 | 3450 | UHE1A682MHD |
| | 6800 | 18×25 | 0.29 | 680 | 0.019 | 0.049 | 3140 | UHE1A682MHD6 |
| | 8200 | 16×35.5 | 0.33 | 820 | 0.015 | 0.044 | 3610 | UHE1A822MHD |
| | 8200 | 18×30.5 | 0.33 | 820 | 0.015 | 0.040 | 4170 | UHE1A822MHD6 |
| | 10000 | 16×40 | 0.37 | 1000 | 0.013 | 0.038 | 4080 | UHE1A103MHD |
| | 10000 | 18×35.5 | 0.37 | 1000 | 0.014 | 0.038 | 4220 | UHE1A103MHD6 |
| | 12000 | 18×40 | 0.41 | 1200 | 0.012 | 0.032 | 4280 | UHE1A123MHD |
| 16 (1C) | 330 | 8×11.5 | 0.16 | 52.8 | 0.13 | 0.52 | 640 | UHE1C331MPD |
| | 470 | 8×15 | 0.16 | 75.2 | 0.087 | 0.35 | 840 | UHE1C471MPD |
| | 470 | 10×12.5 | 0.16 | 75.2 | 0.080 | 0.32 | 865 | UHE1C471MPD6 |
| | 680 | 8×20 | 0.16 | 108.8 | 0.069 | 0.27 | 1050 | UHE1C681MPD |
| | 680 | 10×16 | 0.16 | 108.8 | 0.060 | 0.24 | 1210 | UHE1C681MPD6 |
| | 1000 | 10×20 | 0.16 | 160 | 0.046 | 0.18 | 1400 | UHE1C102MPD |
| | 1000 | 12.5×15 | 0.16 | 160 | 0.049 | 0.16 | 1450 | UHE1C102MHD6 |
| | 1200 | 10×25 | 0.16 | 192 | 0.042 | 0.17 | 1650 | UHE1C122MPD |
| | 1500 | 10×30.5 | 0.16 | 240 | 0.031 | 0.12 | 1910 | UHE1C152MPD |
| | 1500 | 12.5×20 | 0.16 | 240 | 0.035 | 0.12 | 1900 | UHE1C152MHD6 |
| | 1500 | 16×15 | 0.16 | 240 | 0.042 | 0.12 | 1940 | UHE1C152MHD3 |
| | 2200 | 12.5×25 | 0.18 | 352 | 0.027 | 0.089 | 2230 | UHE1C222MHD |
| | 2200 | 18×15 | 0.18 | 352 | 0.043 | 0.11 | 2210 | UHE1C222MHD6 |
| | 2700 | 12.5×30.5 | 0.18 | 432 | 0.024 | 0.078 | 2650 | UHE1C272MHD |
| | 2700 | 16×20 | 0.18 | 432 | 0.027 | 0.078 | 2530 | UHE1C272MHD6 |
| | 3300 | 12.5×35.5 | 0.20 | 528 | 0.020 | 0.065 | 2880 | UHE1C332MHD |
| | 3900 | 12.5×40 | 0.20 | 624 | 0.017 | 0.056 | 3350 | UHE1C392MHD |
| | 3900 | 16×25 | 0.20 | 624 | 0.021 | 0.060 | 2930 | UHE1C392MHD6 |
| | 3900 | 16×20 | 0.20 | 624 | 0.026 | 0.067 | 2860 | UHE1C392MHD3 |
| | 4700 | 16×30.5 | 0.22 | 752 | 0.017 | 0.050 | 3450 | UHE1C472MHD |
| | 4700 | 18×25 | 0.22 | 752 | 0.019 | 0.049 | 3140 | UHE1C472MHD6 |
| | 5600 | 16×35.5 | 0.24 | 896 | 0.015 | 0.044 | 3610 | UHE1C562MHD |
| | 5600 | 18×30.5 | 0.24 | 896 | 0.015 | 0.040 | 4170 | UHE1C562MHD6 |
| 6800 | 16×40 | 0.26 | 1088 | 0.013 | 0.038 | 4080 | UHE1C682MHD | |
| 8200 | 18×35.5 | 0.30 | 1312 | 0.014 | 0.038 | 4220 | UHE1C822MHD | |
| 10000 | 18×40 | 0.34 | 1600 | 0.012 | 0.032 | 4280 | UHE1C103MHD | |
| 25 (1E) | 220 | 8×11.5 | 0.14 | 55 | 0.13 | 0.52 | 640 | UHE1E221MPD |
| | 330 | 8×15 | 0.14 | 82.5 | 0.087 | 0.35 | 840 | UHE1E331MPD |
| | 330 | 10×12.5 | 0.14 | 82.5 | 0.080 | 0.32 | 865 | UHE1E331MPD6 |
| | 470 | 8×20 | 0.14 | 117.5 | 0.069 | 0.27 | 1050 | UHE1E471MPD |
| | 470 | 10×16 | 0.14 | 117.5 | 0.060 | 0.24 | 1210 | UHE1E471MPD6 |
| | 680 | 10×20 | 0.14 | 170 | 0.046 | 0.18 | 1400 | UHE1E681MPD |
| | 680 | 12.5×15 | 0.14 | 170 | 0.049 | 0.16 | 1450 | UHE1E681MHD6 |
| | 820 | 10×25 | 0.14 | 205 | 0.042 | 0.17 | 1650 | UHE1E821MPD |
| | 1000 | 10×30.5 | 0.14 | 250 | 0.031 | 0.12 | 1910 | UHE1E102MPD |
| | 1000 | 12.5×20 | 0.14 | 250 | 0.035 | 0.12 | 1900 | UHE1E102MHD6 |
| | 1000 | 16×15 | 0.14 | 250 | 0.042 | 0.12 | 1940 | UHE1E102MHD3 |
| | 1200 | 18×15 | 0.14 | 300 | 0.043 | 0.11 | 2210 | UHE1E122MHD |

For cut leads, formed leads or taped parts, please add the appropriate code after the size code (12th digit).
If there is no size code in the part number, please add size code "1" and then add the appropriate code.

UHE

■ Dimensions

| Rated Voltage (V) (code) | Rated Capacitance (μF) | Case Size φD×L (mm) | tan δ | Leakage Current (μA) (at 20°C after 2 minutes) | Impedance (Ω) max. | | Rated Ripple (mA _{rms}) (105°C/100kHz) | Part Number |
|-----------------------------|------------------------|---------------------|-------|---|-----------------------|------------------|---|--------------|
| | | | | | 20°C/ 100kHz | -10°C/ 100kHz | | |
| 25 (1E) | 1500 | 12.5×25 | 0.14 | 375 | 0.027 | 0.089 | 2230 | UHE1E152MHD |
| | 1800 | 12.5×30.5 | 0.14 | 450 | 0.024 | 0.078 | 2650 | UHE1E182MHD |
| | 1800 | 16×20 | 0.14 | 450 | 0.027 | 0.078 | 2530 | UHE1E182MHD6 |
| | 2200 | 12.5×35.5 | 0.16 | 550 | 0.020 | 0.065 | 2880 | UHE1E222MHD |
| | 2200 | 18×20 | 0.16 | 550 | 0.026 | 0.067 | 2860 | UHE1E222MHD6 |
| | 2700 | 12.5×40 | 0.16 | 675 | 0.017 | 0.056 | 3350 | UHE1E272MHD |
| | 2700 | 16×25 | 0.16 | 675 | 0.021 | 0.060 | 2930 | UHE1E272MHD6 |
| | 3300 | 16×30.5 | 0.18 | 825 | 0.017 | 0.050 | 3450 | UHE1E332MHD |
| | 3300 | 18×25 | 0.18 | 825 | 0.019 | 0.049 | 3140 | UHE1E332MHD6 |
| | 3900 | 16×35.5 | 0.18 | 975 | 0.015 | 0.044 | 3610 | UHE1E392MHD |
| | 3900 | 18×30.5 | 0.18 | 975 | 0.015 | 0.040 | 4170 | UHE1E392MHD6 |
| | 4700 | 16×40 | 0.20 | 1175 | 0.013 | 0.038 | 4080 | UHE1E472MHD |
| | 4700 | 18×35.5 | 0.20 | 1175 | 0.014 | 0.038 | 4220 | UHE1E472MHD6 |
| | 5600 | 18×40 | 0.22 | 1400 | 0.012 | 0.032 | 4280 | UHE1E562MHD |
| 35 (1V) | 100 | 8×11.5 | 0.12 | 35 | 0.13 | 0.52 | 640 | UHE1V101MPD |
| | 150 | 8×11.5 | 0.12 | 52.5 | 0.13 | 0.52 | 640 | UHE1V151MPD |
| | 220 | 8×15 | 0.12 | 77 | 0.087 | 0.35 | 840 | UHE1V221MPD |
| | 220 | 10×12.5 | 0.12 | 77 | 0.080 | 0.32 | 865 | UHE1V221MPD6 |
| | 270 | 8×20 | 0.12 | 94.5 | 0.069 | 0.27 | 1050 | UHE1V271MPD |
| | 330 | 10×16 | 0.12 | 115.5 | 0.060 | 0.24 | 1210 | UHE1V331MPD |
| | 470 | 10×20 | 0.12 | 164.5 | 0.046 | 0.18 | 1400 | UHE1V471MPD |
| | 470 | 12.5×15 | 0.12 | 164.5 | 0.049 | 0.16 | 1450 | UHE1V471MHD6 |
| | 560 | 10×25 | 0.12 | 196 | 0.042 | 0.17 | 1650 | UHE1V561MPD |
| | 680 | 10×30.5 | 0.12 | 238 | 0.031 | 0.12 | 1910 | UHE1V681MPD |
| | 680 | 12.5×20 | 0.12 | 238 | 0.035 | 0.12 | 1900 | UHE1V681MHD6 |
| | 680 | 16×15 | 0.12 | 238 | 0.042 | 0.12 | 1940 | UHE1V681MHD3 |
| | 1000 | 12.5×25 | 0.12 | 350 | 0.027 | 0.089 | 2230 | UHE1V102MHD |
| | 1000 | 18×15 | 0.12 | 350 | 0.043 | 0.11 | 2210 | UHE1V102MHD6 |
| | 1200 | 12.5×30.5 | 0.12 | 420 | 0.024 | 0.078 | 2650 | UHE1V122MHD |
| | 1200 | 16×20 | 0.12 | 420 | 0.027 | 0.078 | 2530 | UHE1V122MHD6 |
| | 1500 | 12.5×35.5 | 0.12 | 525 | 0.020 | 0.065 | 2880 | UHE1V152MHD |
| | 1800 | 12.5×40 | 0.12 | 630 | 0.017 | 0.056 | 3350 | UHE1V182MHD |
| | 1800 | 16×25 | 0.12 | 630 | 0.021 | 0.060 | 2930 | UHE1V182MHD6 |
| | 1800 | 18×20 | 0.12 | 630 | 0.026 | 0.067 | 2860 | UHE1V182MHD3 |
| | 2200 | 16×30.5 | 0.14 | 770 | 0.017 | 0.050 | 3450 | UHE1V222MHD |
| | 2200 | 18×25 | 0.14 | 770 | 0.019 | 0.049 | 3140 | UHE1V222MHD6 |
| | 2700 | 16×35.5 | 0.14 | 945 | 0.015 | 0.044 | 3610 | UHE1V272MHD |
| | 2700 | 18×30.5 | 0.14 | 945 | 0.015 | 0.040 | 4170 | UHE1V272MHD6 |
| | 3300 | 16×40 | 0.16 | 1155 | 0.013 | 0.038 | 4080 | UHE1V332MHD |
| | 3300 | 18×35.5 | 0.16 | 1155 | 0.014 | 0.038 | 4220 | UHE1V332MHD6 |
| | 3900 | 18×40 | 0.16 | 1365 | 0.012 | 0.032 | 4280 | UHE1V392MHD |

For cut leads, formed leads or taped parts, please add the appropriate code after the size code (12th digit).
If there is no size code in the part number, please add size code "1" and then add the appropriate code.

UHE

■ Dimensions

| Rated Voltage (V) (code) | Rated Capacitance (μ F) | Case Size ϕ D \times L (mm) | tan δ | Leakage Current (μ A) (at 20°C after 2 minutes) | Impedance (Ω) max. | | Rated Ripple (mArms) (105°C/100kHz) | Part Number |
|--------------------------------|---------------------------------|---------------------------------------|--------------|---|--------------------------------|------------------|---|--------------|
| | | | | | 20°C/ 100kHz | -10°C/ 100kHz | | |
| 50 (1H) | 100 | 8 \times 11.5 | 0.10 | 50 | 0.17 | 0.68 | 555 | UHE1H101MPD |
| | 120 | 8 \times 15 | 0.10 | 60 | 0.12 | 0.48 | 730 | UHE1H121MPD |
| | 150 | 10 \times 12.5 | 0.10 | 75 | 0.12 | 0.48 | 760 | UHE1H151MPD |
| | 180 | 8 \times 20 | 0.10 | 90 | 0.091 | 0.36 | 910 | UHE1H181MPD |
| | 220 | 10 \times 16 | 0.10 | 110 | 0.084 | 0.34 | 1050 | UHE1H221MPD |
| | 270 | 10 \times 20 | 0.10 | 135 | 0.060 | 0.24 | 1220 | UHE1H271MPD |
| | 270 | 12.5 \times 15 | 0.10 | 135 | 0.061 | 0.20 | 1260 | UHE1H271MHD6 |
| | 330 | 10 \times 25 | 0.10 | 165 | 0.055 | 0.22 | 1440 | UHE1H331MPD |
| | 330 | 10 \times 20 | 0.10 | 165 | 0.060 | 0.24 | 1220 | UHE1H331MPD6 |
| | 470 | 10 \times 30.5 | 0.10 | 235 | 0.043 | 0.17 | 1690 | UHE1H471MPD |
| | 470 | 12.5 \times 20 | 0.10 | 235 | 0.045 | 0.15 | 1660 | UHE1H471MHD6 |
| | 470 | 16 \times 15 | 0.10 | 235 | 0.055 | 0.17 | 1690 | UHE1H471MHD3 |
| | 560 | 12.5 \times 25 | 0.10 | 280 | 0.034 | 0.11 | 1950 | UHE1H561MHD |
| | 560 | 18 \times 15 | 0.10 | 280 | 0.054 | 0.15 | 1930 | UHE1H561MHD6 |
| | 680 | 12.5 \times 30.5 | 0.10 | 340 | 0.030 | 0.10 | 2310 | UHE1H681MHD |
| | 820 | 12.5 \times 35.5 | 0.10 | 410 | 0.025 | 0.083 | 2510 | UHE1H821MHD |
| | 820 | 16 \times 20 | 0.10 | 410 | 0.034 | 0.10 | 2210 | UHE1H821MHD6 |
| | 1000 | 12.5 \times 40 | 0.10 | 500 | 0.021 | 0.069 | 2920 | UHE1H102MHD |
| | 1000 | 16 \times 25 | 0.10 | 500 | 0.025 | 0.075 | 2555 | UHE1H102MHD6 |
| | 1000 | 18 \times 20 | 0.10 | 500 | 0.036 | 0.097 | 2490 | UHE1H102MHD3 |
| | 1200 | 16 \times 30.5 | 0.10 | 600 | 0.022 | 0.066 | 3010 | UHE1H122MHD |
| | 1200 | 18 \times 25 | 0.10 | 600 | 0.026 | 0.070 | 2740 | UHE1H122MHD6 |
| | 1500 | 16 \times 35.5 | 0.10 | 750 | 0.019 | 0.057 | 3150 | UHE1H152MHD |
| | 1800 | 16 \times 40 | 0.10 | 900 | 0.016 | 0.048 | 3710 | UHE1H182MHD |
| 1800 | 18 \times 30.5 | 0.10 | 900 | 0.021 | 0.057 | 3635 | UHE1H182MHD6 | |
| 2200 | 18 \times 35.5 | 0.12 | 1100 | 0.017 | 0.046 | 3680 | UHE1H222MHD6 | |
| 2700 | 18 \times 40 | 0.12 | 1350 | 0.014 | 0.038 | 3800 | UHE1H272MHD | |
| 63 (1J) | 47 | 8 \times 11.5 | 0.09 | 29.61 | 0.63 | 2.80 | 260 | UHE1J470MPD |
| | 56 | 8 \times 11.5 | 0.09 | 35.28 | 0.63 | 2.80 | 260 | UHE1J560MPD |
| | 82 | 8 \times 15 | 0.09 | 51.66 | 0.45 | 2.10 | 335 | UHE1J820MPD |
| | 82 | 10 \times 12.5 | 0.09 | 51.66 | 0.43 | 1.80 | 325 | UHE1J820MPD6 |
| | 120 | 8 \times 20 | 0.09 | 75.6 | 0.33 | 1.60 | 408 | UHE1J121MPD |
| | 120 | 10 \times 16 | 0.09 | 75.6 | 0.31 | 1.50 | 400 | UHE1J121MPD6 |
| | 180 | 10 \times 20 | 0.09 | 113.4 | 0.21 | 0.94 | 518 | UHE1J181MPD |
| | 180 | 12.5 \times 15 | 0.09 | 113.4 | 0.23 | 1.10 | 527 | UHE1J181MHD6 |
| | 220 | 10 \times 25 | 0.09 | 138.6 | 0.20 | 0.84 | 595 | UHE1J221MPD |
| | 270 | 10 \times 30.5 | 0.09 | 170.1 | 0.15 | 0.71 | 740 | UHE1J271MPD |
| | 270 | 12.5 \times 20 | 0.09 | 170.1 | 0.16 | 0.64 | 765 | UHE1J271MHD6 |
| | 270 | 16 \times 15 | 0.09 | 170.1 | 0.14 | 0.66 | 895 | UHE1J271MHD3 |
| | 330 | 12.5 \times 25 | 0.09 | 207.9 | 0.12 | 0.45 | 875 | UHE1J331MHD |
| | 390 | 18 \times 15 | 0.09 | 245.7 | 0.12 | 0.50 | 1030 | UHE1J391MHD |
| | 470 | 12.5 \times 30.5 | 0.09 | 296.1 | 0.10 | 0.42 | 1010 | UHE1J471MHD |
| | 470 | 16 \times 20 | 0.09 | 296.1 | 0.091 | 0.38 | 1130 | UHE1J471MHD6 |
| | 560 | 12.5 \times 35.5 | 0.09 | 352.8 | 0.083 | 0.35 | 1140 | UHE1J561MHD |
| | 560 | 16 \times 25 | 0.09 | 352.8 | 0.073 | 0.27 | 1350 | UHE1J561MHD6 |

For cut leads, formed leads or taped parts, please add the appropriate code after the size code (12th digit).

If there is no size code in the part number, please add size code "1" and then add the appropriate code.

UHE

■ Dimensions



| Rated Voltage (V) (code) | Rated Capacitance (μ F) | Case Size ϕ D \times L (mm) | tan δ | Leakage Current (μ A) (at 20°C after 2 minutes) | Impedance (Ω) max. | | Rated Ripple (mArms) (105°C/100kHz) | Part Number |
|--------------------------------|---------------------------------|---------------------------------------|--------------|---|--------------------------------|------------------|---|--------------|
| | | | | | 20°C/ 100kHz | -10°C/ 100kHz | | |
| 63 (1J) | 680 | 12.5 \times 40 | 0.09 | 428.4 | 0.071 | 0.30 | 1280 | UHE1J681MHD |
| | 680 | 18 \times 20 | 0.09 | 428.4 | 0.080 | 0.30 | 1300 | UHE1J681MHD6 |
| | 820 | 16 \times 30.5 | 0.09 | 516.6 | 0.054 | 0.20 | 1650 | UHE1J821MHD |
| | 820 | 18 \times 25 | 0.09 | 516.6 | 0.057 | 0.21 | 1560 | UHE1J821MHD6 |
| | 1000 | 16 \times 35.5 | 0.09 | 630 | 0.045 | 0.17 | 1900 | UHE1J102MHD |
| | 1000 | 18 \times 30.5 | 0.09 | 630 | 0.047 | 0.17 | 1720 | UHE1J102MHD6 |
| | 1200 | 16 \times 40 | 0.09 | 756 | 0.040 | 0.15 | 2130 | UHE1J122MHD |
| | 1200 | 18 \times 35.5 | 0.09 | 756 | 0.040 | 0.15 | 1890 | UHE1J122MHD6 |
| | 1500 | 18 \times 40 | 0.09 | 945 | 0.036 | 0.13 | 2470 | UHE1J152MHD |
| 100 (2A) | 27 | 8 \times 11.5 | 0.08 | 27 | 0.63 | 2.80 | 260 | UHE2A270MPD |
| | 39 | 8 \times 15 | 0.08 | 39 | 0.45 | 2.10 | 335 | UHE2A390MPD |
| | 47 | 10 \times 12.5 | 0.08 | 47 | 0.43 | 1.80 | 325 | UHE2A470MPD |
| | 56 | 8 \times 20 | 0.08 | 56 | 0.33 | 1.60 | 408 | UHE2A560MPD |
| | 68 | 10 \times 16 | 0.08 | 68 | 0.31 | 1.50 | 400 | UHE2A680MPD |
| | 82 | 10 \times 20 | 0.08 | 82 | 0.21 | 0.94 | 518 | UHE2A820MPD |
| | 82 | 12.5 \times 15 | 0.08 | 82 | 0.23 | 1.10 | 527 | UHE2A820MHD6 |
| | 100 | 10 \times 25 | 0.08 | 100 | 0.20 | 0.84 | 595 | UHE2A101MPD |
| | 100 | 12.5 \times 20 | 0.08 | 100 | 0.20 | 0.84 | 740 | UHE2A101MHD6 |
| | 120 | 10 \times 30.5 | 0.08 | 120 | 0.15 | 0.71 | 740 | UHE2A121MPD |
| | 120 | 12.5 \times 20 | 0.08 | 120 | 0.16 | 0.64 | 765 | UHE2A121MHD6 |
| | 150 | 16 \times 15 | 0.08 | 150 | 0.14 | 0.66 | 895 | UHE2A151MHD |
| | 180 | 12.5 \times 25 | 0.08 | 180 | 0.12 | 0.45 | 875 | UHE2A181MHD |
| | 180 | 18 \times 15 | 0.08 | 180 | 0.12 | 0.50 | 1030 | UHE2A181MHD6 |
| | 220 | 12.5 \times 30.5 | 0.08 | 220 | 0.10 | 0.42 | 1010 | UHE2A221MHD |
| | 220 | 16 \times 20 | 0.08 | 220 | 0.091 | 0.38 | 1130 | UHE2A221MHD6 |
| | 270 | 12.5 \times 35.5 | 0.08 | 270 | 0.083 | 0.35 | 1140 | UHE2A271MHD |
| | 270 | 16 \times 25 | 0.08 | 270 | 0.073 | 0.27 | 1350 | UHE2A271MHD6 |
| | 330 | 12.5 \times 40 | 0.08 | 330 | 0.071 | 0.30 | 1280 | UHE2A331MHD |
| | 330 | 18 \times 20 | 0.08 | 330 | 0.080 | 0.30 | 1300 | UHE2A331MHD6 |
| | 390 | 16 \times 30.5 | 0.08 | 390 | 0.054 | 0.20 | 1650 | UHE2A391MHD |
| | 390 | 18 \times 25 | 0.08 | 390 | 0.057 | 0.21 | 1560 | UHE2A391MHD6 |
| | 470 | 16 \times 35.5 | 0.08 | 470 | 0.045 | 0.17 | 1900 | UHE2A471MHD |
| | 470 | 18 \times 30.5 | 0.08 | 470 | 0.047 | 0.17 | 1720 | UHE2A471MHD6 |
| 560 | 16 \times 40 | 0.08 | 560 | 0.040 | 0.15 | 2130 | UHE2A561MHD | |
| 680 | 18 \times 35.5 | 0.08 | 680 | 0.040 | 0.15 | 1890 | UHE2A681MHD | |
| 820 | 18 \times 40 | 0.08 | 820 | 0.036 | 0.13 | 2470 | UHE2A821MHD | |

For cut leads, formed leads or taped parts, please add the appropriate code after the size code (12th digit).
If there is no size code in the part number, please add size code "1" and then add the appropriate code.

- For formed lead or taped product specifications and minimum order quantity, please refer to the Guidelines for Aluminum Electrolytic Capacitors.

Looking for pricing, stock, or lifecycle information?

Click below to explore more details on WIN SOURCE:

-  [View UHE1C471MPD on WIN SOURCE](#)
-  [Nichicon Information](#)

Optimize Your Supply Chain with WIN SOURCE Solutions

-  Global Sourcing Solution
-  Obsolete Management
-  Cost Control Management
-  Shortage Management
-  Alternative Solution
-  Excess Inventory Management