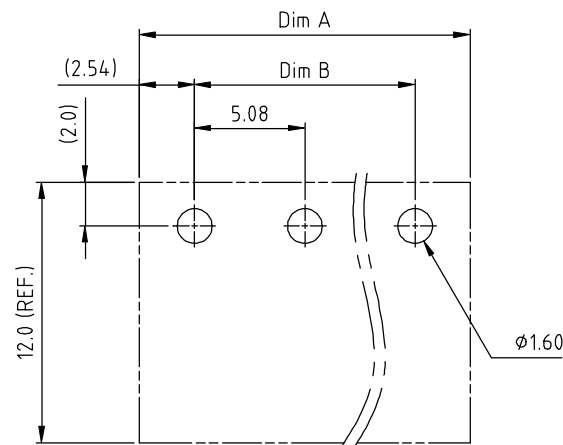
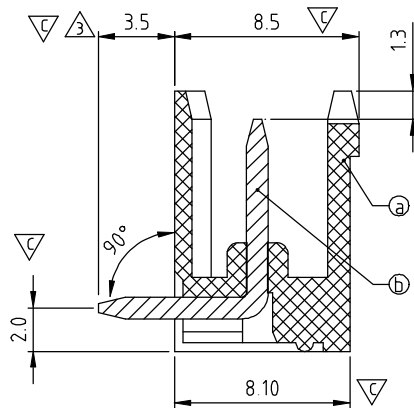
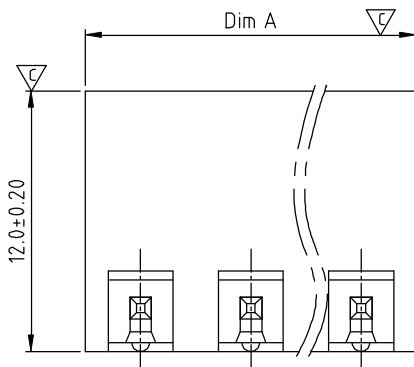
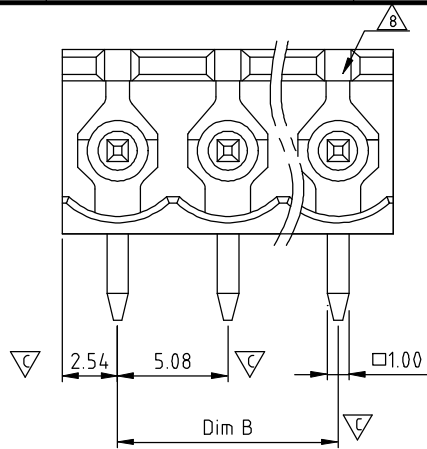




**THE DATASHEET OF
OQ0253510000G**





RECOMMENDED PCB LAYOUT

N = Number of poles
 Dim A = N x 5.08
 Dim B = (N-1) x 5.08

	Dim A	Dim B
2-6p	±0.15	±0.10
7-12p	±0.25	±0.15
13-18p	±0.30	±0.20
19-24p	±0.40	±0.30

SIGN	DATE	DESCRIPTION	APPROVER
△	8/16'06	Added VDE and TUV standard	Steady
△	8/16'06	Current rating (cULus) changed from 10A to 20A	Steady
△	1/20'07	Dimension changed from 4.0 to 3.5	Tony
△	1/20'07	Soldering temperature changed from 245° to 250°	Tony
△	2009.10.21	The material is changed from Brass to Copper	Jacke
△	2009.10.21	The operating temperature is changed	Jacke
△	2009.10.21	Remove the CSA certification	Jacke
△	2010.03.22	The design is changed	Jacke
△	2013.06.13	update the drawing	Chen Bo

THIS IS CAD DRAWING, DO NOT REVISE MANUALLY!!!

Material:

- △ Item ③ Male contact pin: Copper, Tin plated
- Item ④ Terminal(housing): PBT(UL94 V-0)

- △ 1 Electrical: cULus /VDE /TUV
- Voltage rating: 300V/300V/300V
- △ 2 Current rating: 20A/20A/20A
- Withstanding Voltage: 1.6 KV/2.5KV/2.5KV
- △ 6 Operating temperature: -40°C to +115°C
- △ 4 Soldering temperature: 260°C±5°C/5 Sec
- Safety Approval:
- Critical dimension: ▽

OQ xx 5 3 x 1xxxx G

No. OF POLES
 02: 2 POLES
 :
 24: 24 POLES

COLOR

- 0 Black (RAL9005)
- 2 Red (RAL3001/D)
- 3 Orange(RAL2011/P)
- 4 Yellow(RAL1018/A)
- 5 Green(RAL6018/T)
- 6 Blue (RAL5015/A)
- 8 Grey(RAL7035/D)
- 9 White(RAL1102)
- C Green(RAL6018/U)

G RoHS compliant (lead=4%)
 In copper Alloy
 0000: "@ " Logo (Standard)
 000A: "ANYTEK" Mark
 Any special item by customer request.
 please contact sales department.

ANYTEK				CUSTOMER COPY			
ALL RIGHTS RESERVED. REPRODUCTION OR ISSUE TO THIRD PARTIES IN ANY FORM WHATSOEVER IS NOT PERMITTED WITHOUT WRITTEN AUTHORITY FROM THE PROPRIETOR. PROPERTY OF ANYTEK TECHNOLOGY CO., LTD							
TITLE		OQ 5.08mm 90° /Open Series 2p-24p					
PART NO.		OQxx53x1xxxxG			DWG NO.		80Q0702
APPROVED		DESIGNED	DRAWN	CUST NO.		Tolerance	
		Chen Bo 06/13'13	Chen Bo 06/13'13			X. ±0.50 X.X ±0.30 X.XX ±0.10 X° ±1°	
				SHEET: 01/01		UNIT: mm SCALE: NONE REV.: J	

Looking for pricing, stock, or lifecycle information?

Click below to explore more details on WIN SOURCE:

 [View QQ0253510000G on WIN SOURCE](#)

 [Amphenol Anytek Information](#)

Optimize Your Supply Chain with WIN SOURCE Solutions

-  Global Sourcing Solution
-  Obsolete Management
-  Cost Control Management
-  Shortage Management
-  Alternative Solution
-  Excess Inventory Management