

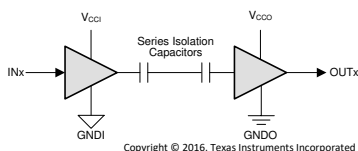
ISO676x-Q1 General-Purpose Six-Channel Automotive Reinforced Digital Isolators with Robust EMC

1 Features

- AEC-Q100 qualified with the following results:
 - Device temperature Grade 1: -40°C to $+125^{\circ}\text{C}$ ambient operating temperature range
- Meets VDA320 isolation requirements
- 50 Mbps data rate
- Robust isolation barrier:
 - High lifetime at 1500 V_{RMS} working voltage
 - Up to 5000 V_{RMS} isolation rating
 - Up to 10 kV surge capability
 - ± 150 kV/ μs typical CMTI
- Wide supply range: 1.71 V to 1.89 V and 2.25 V to 5.5 V
- 1.71 V to 5.5 V level translation
- Default output *high* (ISO676x-Q1) and *low* (ISO676xF-Q1) options
- 1.6 mA per channel typical at 1 Mbps
- Low propagation delay: 11 ns typical
- Robust electromagnetic compatibility (EMC)
 - System-level ESD, EFT, and surge immunity
 - Low emissions
- Wide-SOIC (DW-16) Package
- [Safety-Related Certifications](#):
 - DIN EN IEC 60747-17 (VDE 0884-17)
 - UL 1577 component recognition program
 - IEC 62368-1, IEC 61010-1, IEC 60601-1 and GB 4943.1 certifications

2 Applications

- [Hybrid, electric and power train system \(EV/HEV\)](#)
 - [Battery management system \(BMS\)](#)
 - [On-board charger](#)
 - [DC/DC converter](#)
 - [Inverter and motor control](#)



V_{CCI} =Input supply, V_{CCO} =Output supply
 GNDI =Input ground, GNDO =Output ground

Simplified Schematic

3 Description

The ISO676x-Q1 devices are high-performance, six-channel digital isolators ideal for cost-sensitive applications requiring up to 5000 V_{RMS} isolation ratings per UL 1577. These devices are also certified by VDE, TUV, CSA, and CQC.

The ISO676x-Q1 devices provide high electromagnetic immunity and low emissions at low power consumption, while isolating CMOS or LVC MOS digital I/Os. Each isolation channel has a logic input and output buffer separated by TI's double capacitive silicon dioxide (SiO_2) insulation barrier. The ISO676x family of devices is available in all possible pin configurations such that all six channels are in the same direction, or one, two, or three channels are in reverse direction while the remaining channels are in forward direction. In the event of input power or signal loss, the default output is *high* for devices without suffix F and *low* for devices with suffix F. See [Device Functional Modes](#) section for further details.

Used in conjunction with isolated power supplies, these devices help prevent noise currents on data buses, such as CAN and LIN from damaging sensitive circuitry. Through innovative chip design and layout techniques, the electromagnetic compatibility of the ISO676x-Q1 devices has been significantly enhanced to ease system-level ESD, EFT, surge, and emissions compliance. The ISO676x-Q1 family of devices is available in a 16-pin SOIC wide-body (DW) package and is a pin-to-pin upgrade to the older generations.

Device Description

| Part Number ⁽¹⁾ | Package | Body Size |
|---|-----------|--------------------|
| ISO6760-Q1, ISO6760F-Q1, ISO6761-Q1, ISO6761F-Q1, ISO6762-Q1, ISO6762F-Q1, ISO6763-Q1, ISO6763F-Q1 | SOIC (DW) | 10.30 mm × 7.50 mm |

- (1) For all available packages, see the orderable addendum at the end of the data sheet.



Table of Contents

| | | | |
|---|----|--|----|
| 1 Features | 1 | 6.20 Switching Characteristics—1.8-V Supply..... | 21 |
| 2 Applications | 1 | 6.21 Insulation Characteristics Curves..... | 22 |
| 3 Description | 1 | 6.22 Typical Characteristics..... | 23 |
| 4 Revision History | 2 | 7 Parameter Measurement Information | 25 |
| 5 Pin Configuration and Functions | 3 | 8 Detailed Description | 26 |
| 6 Specifications | 5 | 8.1 Overview..... | 26 |
| 6.1 Absolute Maximum Ratings..... | 5 | 8.2 Functional Block Diagram..... | 26 |
| 6.2 ESD Ratings..... | 5 | 8.3 Feature Description..... | 27 |
| 6.3 Recommended Operating Conditions..... | 6 | 8.4 Device Functional Modes..... | 28 |
| 6.4 Thermal Information..... | 7 | 9 Application and Implementation | 29 |
| 6.5 Power Ratings..... | 7 | 9.1 Application Information..... | 29 |
| 6.6 Insulation Specifications..... | 8 | 9.2 Typical Application..... | 30 |
| 6.7 Safety-Related Certifications..... | 9 | 10 Power Supply Recommendations | 33 |
| 6.8 Safety Limiting Values..... | 9 | 11 Layout | 34 |
| 6.9 Electrical Characteristics—5-V Supply..... | 10 | 11.1 Layout Guidelines..... | 34 |
| 6.10 Supply Current Characteristics—5-V Supply..... | 10 | 11.2 Layout Example..... | 35 |
| 6.11 Electrical Characteristics—3.3-V Supply..... | 12 | 12 Device and Documentation Support | 36 |
| 6.12 Supply Current Characteristics—3.3-V Supply..... | 12 | 12.1 Documentation Support..... | 36 |
| 6.13 Electrical Characteristics—2.5-V Supply..... | 14 | 12.2 Receiving Notification of Documentation Updates..... | 36 |
| 6.14 Supply Current Characteristics—2.5-V Supply..... | 14 | 12.3 Support Resources..... | 36 |
| 6.15 Electrical Characteristics—1.8-V Supply..... | 16 | 12.4 Trademarks..... | 36 |
| 6.16 Supply Current Characteristics—1.8-V Supply..... | 16 | 12.5 Electrostatic Discharge Caution..... | 36 |
| 6.17 Switching Characteristics—5-V Supply..... | 18 | 12.6 Glossary..... | 36 |
| 6.18 Switching Characteristics—3.3-V Supply..... | 19 | 13 Mechanical, Packaging, and Orderable Information | 36 |
| 6.19 Switching Characteristics—2.5-V Supply..... | 20 | | |

4 Revision History

NOTE: Page numbers for previous revisions may differ from page numbers in the current version.

| Changes from Revision B (May 2022) to Revision C (May 2023) | Page |
|--|-------------|
| • Changed standard name from: "DIN VDE V 0884-11:2017-01" to: "DIN EN IEC 60747-17 (VDE 0884-17)" throughout the document..... | 1 |
| • Updated standards marked as 'planned' to include certificate numbers throughout the document..... | 1 |
| • Removed standard revision and year references from all standard names throughout the document..... | 1 |
| • Added Maximum impulse voltage (V_{IMP}) specification per DIN EN IEC 60747-17 (VDE 0884-17)..... | 8 |
| • Changed test conditions and values of Maximum surge isolation voltage (V_{IOSM}) specification per DIN EN IEC 60747-17 (VDE 0884-17)..... | 8 |
| • Clarified method b test conditions of Apparent charge (q_{PD})..... | 8 |
| • Changed working voltage lifetime margin from: 87.5% to: 50%, minimum required insulation lifetime from: 37.5 years to: 30 years and insulation lifetime per TDDb from: 220 years to: 36 years per DIN EN IEC 60747-17 (VDE 0884-17)..... | 32 |
| • Changed Figure 9-8 per DIN EN IEC 60747-17 (VDE 0884-17)..... | 32 |
| • Updated to DW0016B mechanical drawing..... | 36 |

| Changes from Revision A (November 2021) to Revision B (May 2022) | Page |
|---|-------------|
| • Updated CMTI spec for 5-V, 3.3-V and 2.5-V supply conditions..... | 5 |

5 Pin Configuration and Functions

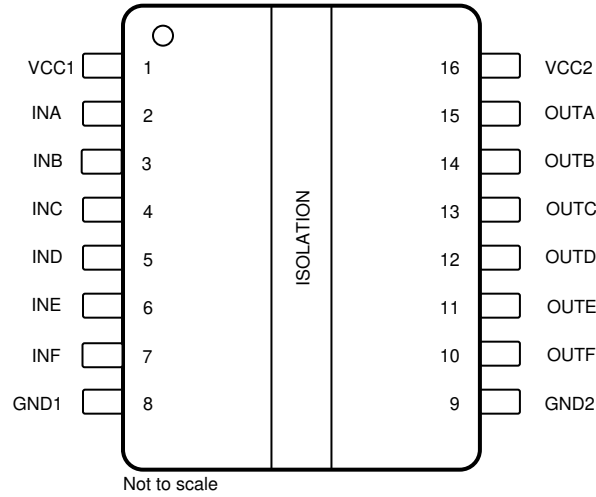


Figure 5-1. ISO6760-Q1 DW Package 16-Pin SOIC-WB Top View

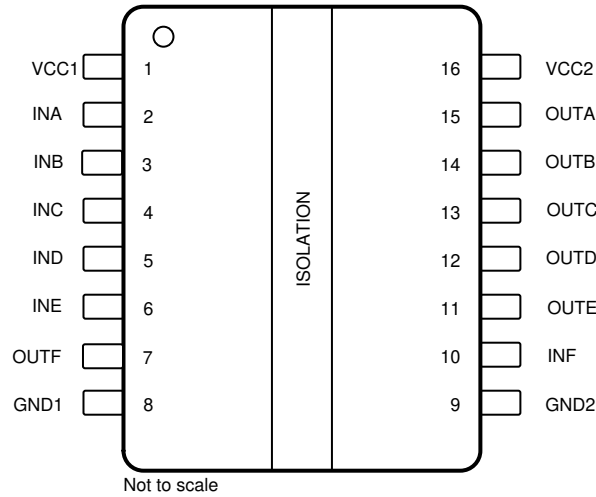


Figure 5-2. ISO6761-Q1 DW Package 16-Pin SOIC-WB Top View

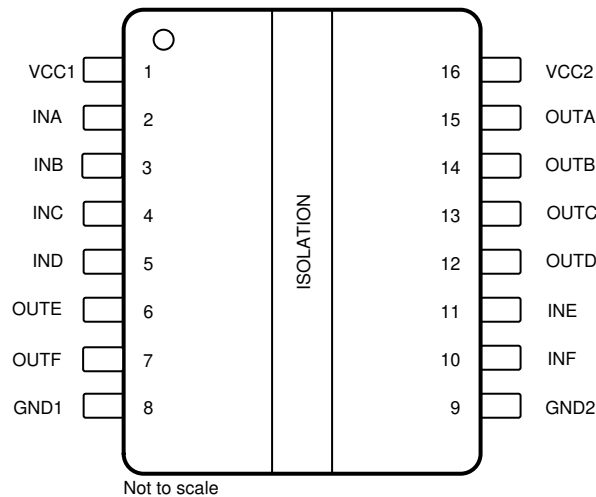


Figure 5-3. ISO6762-Q1 DW Package 16-Pin SOIC-WB Top View

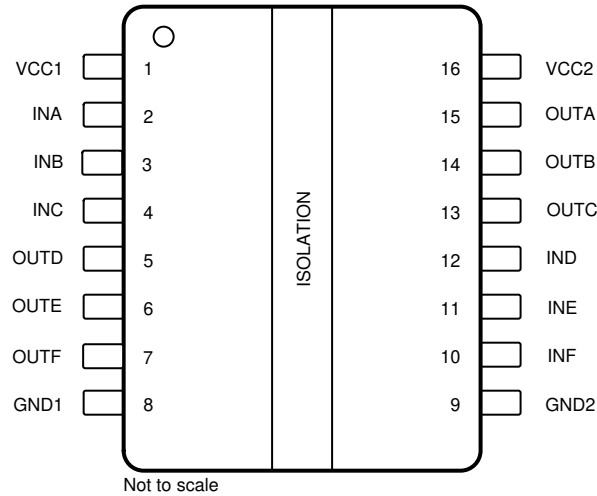


Figure 5-4. ISO6763-Q1 DW Package 16-Pin SOIC-WB Top View

Table 5-1. Pin Functions

| NAME | PIN NO. | | | | I/O | DESCRIPTION |
|-----------|------------|------------|------------|------------|-----|---------------------------------|
| | ISO6760-Q1 | ISO6761-Q1 | ISO6762-Q1 | ISO6763-Q1 | | |
| GND1 | 8 | 8 | 8 | 8 | — | Ground connection for V_{CC1} |
| GND2 | 9 | 9 | 9 | 9 | — | Ground connection for V_{CC2} |
| INA | 2 | 2 | 2 | 2 | I | Input, channel A |
| INB | 3 | 3 | 3 | 3 | I | Input, channel B |
| INC | 4 | 4 | 4 | 4 | I | Input, channel C |
| IND | 5 | 5 | 5 | 12 | I | Input, channel D |
| INE | 6 | 6 | 11 | 11 | I | Input, channel E |
| INF | 7 | 10 | 10 | 10 | I | Input, channel F |
| OUTA | 15 | 15 | 15 | 15 | O | Output, channel A |
| OUTB | 14 | 14 | 14 | 14 | O | Output, channel B |
| OUTC | 13 | 13 | 13 | 13 | O | Output, channel C |
| OUTD | 12 | 12 | 12 | 5 | O | Output, channel D |
| OUTE | 11 | 11 | 6 | 6 | O | Output, channel E |
| OUTF | 10 | 7 | 7 | 7 | O | Output, channel F |
| V_{CC1} | 1 | 1 | 1 | 1 | — | Power supply, side 1 |
| V_{CC2} | 16 | 16 | 16 | 16 | — | Power supply, side 2 |

6 Specifications

6.1 Absolute Maximum Ratings

See⁽¹⁾

| | | MIN | MAX | UNIT |
|-------------------------------|--|------|---------------------------------------|------|
| Supply Voltage ⁽²⁾ | V _{CC1} to GND1 | -0.5 | 6 | V |
| | V _{CC2} to GND2 | -0.5 | 6 | |
| Input/Output Voltage | IN _x to GND _x | -0.5 | V _{CCX} + 0.5 ⁽³⁾ | V |
| | OUT _x to GND _x | -0.5 | V _{CCX} + 0.5 ⁽³⁾ | |
| Output Current | I _o | -15 | 15 | mA |
| Temperature | Operating junction temperature, T _J | | 150 | °C |
| | Storage temperature, T _{stg} | -65 | 150 | °C |

- (1) Stresses beyond those listed under Absolute Maximum Ratings may cause permanent damage to the device. These are stress ratings only, which do not imply functional operation of the device at these or any other conditions beyond those indicated under Recommended Operating Conditions. Exposure to absolute-maximum-rated conditions for extended periods may affect device reliability.
- (2) All voltage values except differential I/O bus voltages are with respect to the local ground terminal (GND1 or GND2) and are peak voltage values
- (3) Maximum voltage must not exceed 6 V.

6.2 ESD Ratings

(1) (2)

| | | | VALUE | UNIT |
|--------------------|-------------------------|--|-------|------|
| V _(ESD) | Electrostatic discharge | Human body model (HBM), per ANSI/ESDA/JEDEC JS-001, all pins ⁽¹⁾ | ±2000 | V |
| | | Charged device model (CDM), per JEDEC specification JESD22-C101, all pins ⁽²⁾ | ±1500 | |

- (1) JEDEC document JEP155 states that 500-V HBM allows safe manufacturing with a standard ESD control process.
- (2) JEDEC document JEP157 states that 250-V CDM allows safe manufacturing with a standard ESD control process.

6.3 Recommended Operating Conditions

| | | | MIN | NOM | MAX | UNIT |
|---------------------------------|---|---|---------------------------------------|------------------------|------------------|------|
| V _{CC1} ⁽¹⁾ | Supply Voltage Side 1 | V _{CC} = 1.8V ⁽³⁾ | 1.71 | | 1.89 | V |
| | | V _{CC} = 2.5V to 5V ⁽³⁾ | 2.25 | | 5.5 | V |
| V _{CC2} ⁽¹⁾ | Supply Voltage Side 2 | V _{CC} = 1.8V ⁽³⁾ | 1.71 | | 1.89 | V |
| | | V _{CC} = 2.5V to 5V ⁽³⁾ | 2.25 | | 5.5 | V |
| V _{cc(UVLO+)} | UVLO threshold when supply voltage is rising | | | 1.53 | 1.71 | V |
| V _{cc(UVLO-)} | UVLO threshold when supply voltage is falling | | 1.1 | 1.41 | | V |
| V _{hys(UVLO)} | Supply voltage UVLO hysteresis | | 0.08 | 0.13 | | V |
| V _{IH} | High level Input voltage | | 0.7 x V _{CCI} ⁽²⁾ | | V _{CCI} | V |
| V _{IL} | Low level Input voltage | | 0 | 0.3 x V _{CCI} | | V |
| I _{OH} | High level output current | V _{CCO} ⁽²⁾ = 5 V | -4 | | | mA |
| | | V _{CCO} = 3.3 V | -2 | | | mA |
| | | V _{CCO} = 2.5 V | -1 | | | mA |
| | | V _{CCO} = 1.8 V | -1 | | | mA |
| I _{OL} | Low level output current | V _{CCO} = 5 V | | | 4 | mA |
| | | V _{CCO} = 3.3 V | | | 2 | mA |
| | | V _{CCO} = 2.5 V | | | 1 | mA |
| | | V _{CCO} = 1.8 V | | | 1 | mA |
| DR | Data Rate | | 0 | | 50 | Mbps |
| T _A | Ambient temperature | | -40 | 25 | 125 | °C |

(1) V_{CC1} and V_{CC2} can be set independent of one another

(2) V_{CCI} = Input-side V_{CC}; V_{CCO} = Output-side V_{CC}

(3) The channel outputs are in undetermined state when 1.89 V < V_{CC1}, V_{CC2} < 2.25 V and 1.05 V < V_{CC1}, V_{CC2} < 1.71 V

6.4 Thermal Information

| THERMAL METRIC ⁽¹⁾ | | ISO676x | UNIT |
|-------------------------------|--|-----------|------|
| | | DW (SOIC) | |
| | | 16 PINS | |
| $R_{\theta JA}$ | Junction-to-ambient thermal resistance | 68.8 | °C/W |
| $R_{\theta JC(top)}$ | Junction-to-case (top) thermal resistance | 31.8 | °C/W |
| $R_{\theta JB}$ | Junction-to-board thermal resistance | 32.7 | °C/W |
| Ψ_{JT} | Junction-to-top characterization parameter | 13.5 | °C/W |
| Ψ_{JB} | Junction-to-board characterization parameter | 32.1 | °C/W |
| $R_{\theta JC(bot)}$ | Junction-to-case (bottom) thermal resistance | n/a | °C/W |

6.5 Power Ratings

| PARAMETER | | TEST CONDITIONS | MIN | TYP | MAX | UNIT |
|----------------|--|---|-----|-----|-----|------|
| ISO6760 | | | | | | |
| P_D | Maximum power dissipation (both sides) | $V_{CC1} = V_{CC2} = 5.5\text{ V}$, $T_J = 150^\circ\text{C}$, $C_L = 15\text{ pF}$, Input a 25-MHz 50% duty cycle square wave | | | 192 | mW |
| P_{D1} | Maximum power dissipation (side-1) | | | | 45 | mW |
| P_{D2} | Maximum power dissipation (side-2) | | | | 147 | mW |
| ISO6761 | | | | | | |
| P_D | Maximum power dissipation (both sides) | $V_{CC1} = V_{CC2} = 5.5\text{ V}$, $T_J = 150^\circ\text{C}$, $C_L = 15\text{ pF}$, Input a 25-MHz 50% duty cycle square wave | | | 197 | mW |
| P_{D1} | Maximum power dissipation (side-1) | | | | 63 | mW |
| P_{D2} | Maximum power dissipation (side-2) | | | | 134 | mW |
| ISO6762 | | | | | | |
| P_D | Maximum power dissipation (both sides) | $V_{CC1} = V_{CC2} = 5.5\text{ V}$, $T_J = 150^\circ\text{C}$, $C_L = 15\text{ pF}$, Input a 25-MHz 50% duty cycle square wave | | | 197 | mW |
| P_{D1} | Maximum power dissipation (side-1) | | | | 81 | mW |
| P_{D2} | Maximum power dissipation (side-2) | | | | 116 | mW |
| ISO6763 | | | | | | |
| P_D | Maximum power dissipation (both sides) | $V_{CC1} = V_{CC2} = 5.5\text{ V}$, $T_J = 150^\circ\text{C}$, $C_L = 15\text{ pF}$, Input a 25-MHz 50% duty cycle square wave | | | 196 | mW |
| P_{D1} | Maximum power dissipation (side-1) | | | | 98 | mW |
| P_{D2} | Maximum power dissipation (side-2) | | | | 98 | mW |

6.6 Insulation Specifications

| PARAMETER | | TEST CONDITIONS | VALUE | UNIT |
|--|---|--|-------------------|------------------|
| | | | DW-16 | |
| CLR | External clearance ⁽¹⁾ | Shortest terminal-to-terminal distance through air | >8 | mm |
| CPG | External creepage ⁽¹⁾ | Shortest terminal-to-terminal distance across the package surface | >8 | mm |
| DTI | Distance through the insulation | Minimum internal gap (internal clearance) | >17 | µm |
| CTI | Comparative tracking index | DIN EN 60112 (VDE 0303-11); IEC 60112 | >600 | V |
| | Material group | According to IEC 60664-1 | I | |
| | Overvoltage category per IEC 60664-1 | Rated mains voltage ≤ 600 V _{RMS} | I-IV | |
| | | Rated mains voltage ≤ 1000 V _{RMS} | I-III | |
| DIN EN IEC 60747-17 (VDE 0884-17)⁽²⁾ | | | | |
| V _{IORM} | Maximum repetitive peak isolation voltage | AC voltage (bipolar) | 2121 | V _{PK} |
| V _{IOWM} | Maximum working isolation voltage | AC voltage; Time dependent dielectric breakdown (TDDb) Test; See Figure 9-8 | 1500 | V _{RMS} |
| | | DC voltage | 2121 | V _{DC} |
| V _{IOTM} | Maximum transient isolation voltage | V _{TEST} = V _{IOTM} , t = 60 s (qualification); V _{TEST} = 1.2 x V _{IOTM} , t = 1 s (100% production) | 7071 | V _{PK} |
| V _{IMP} | Maximum impulse voltage ⁽³⁾ | Tested in air, 1.2/50-us waveform per IEC 62368-1 | 7692 | V _{PK} |
| V _{IOSM} | Maximum surge isolation voltage ⁽⁴⁾ | V _{IOSM} ≥ 1.3 x V _{IMP} ; Tested in oil (qualification test), 1.2/50-µs waveform per IEC 62368-1 | 10000 | V _{PK} |
| q _{pd} | Apparent charge ⁽⁵⁾ | Method a, After Input-output safety test subgroup 2/3, V _{ini} = V _{IOTM} , t _{ini} = 60 s; V _{pd(m)} = 1.2 x V _{IORM} , t _m = 10 s | ≤5 | pC |
| | | Method a, After environmental tests subgroup 1, V _{ini} = V _{IOTM} , t _{ini} = 60 s; V _{pd(m)} = 1.6 x V _{IORM} , t _m = 10 s | ≤5 | |
| | | Method b: At routine test (100% production) and preconditioning (type test); V _{ini} = 1.2 x V _{IOTM} , t _{ini} = 1 s; V _{pd(m)} = 1.875 x V _{IORM} , t _m = 1 s (method b1) or V _{pd(m)} = V _{ini} , t _m = t _{ini} (method b2) | ≤5 | |
| C _{IO} | Barrier capacitance, input to output ⁽⁶⁾ | V _{IO} = 0.4 x sin(2πft), f = 1 MHz | ~1 | pF |
| R _{IO} | Isolation resistance ⁽⁶⁾ | V _{IO} = 500 V, T _A = 25°C | >10 ¹² | Ω |
| | | V _{IO} = 500 V, 100°C ≤ T _A ≤ 125°C | >10 ¹¹ | |
| | | V _{IO} = 500 V at T _S = 150°C | >10 ⁹ | |
| | Pollution degree | | 2 | |
| | Climatic category | | 40/125/21 | |
| UL 1577 | | | | |
| V _{ISO} | Maximum withstanding isolation voltage | V _{TEST} = V _{ISO} , t = 60 s (qualification), V _{TEST} = 1.2 x V _{ISO} , t = 1 s (100% production) | 5000 | V _{RMS} |

- (1) Creepage and clearance requirements should be applied according to the specific equipment isolation standards of an application. Care should be taken to maintain the creepage and clearance distance of a board design to ensure that the mounting pads of the isolator on the printed-circuit board do not reduce this distance. Creepage and clearance on a printed-circuit board become equal in certain cases. Techniques such as inserting grooves and/or ribs on a printed-circuit board are used to help increase these specifications.
- (2) This coupler is suitable for *safe electrical insulation* only within the safety ratings. Compliance with the safety ratings shall be ensured by means of suitable protective circuits.
- (3) Testing is carried out in air to determine the surge immunity of the package.
- (4) Testing is carried out in oil to determine the intrinsic surge immunity of the isolation barrier.
- (5) Apparent charge is electrical discharge caused by a partial discharge (pd).
- (6) All pins on each side of the barrier tied together creating a two-terminal device.

6.7 Safety-Related Certifications

| VDE | CSA | UL | CQC | TUV |
|--|---|--|--|---|
| Certified according to DIN EN IEC 60747-17 (VDE 0884-17) | Certified according to IEC 62368-1, IEC 61010-1 and IEC 60601 | Certified according to UL 1577 Component Recognition Program | Certified according to GB 4943.1 | Certified according to EN 61010-1 and EN 62368-1 |
| Maximum transient isolation voltage, 7071 V _{PK} ; Maximum repetitive peak isolation voltage, 2121 V _{PK} ; Maximum surge isolation voltage, 10000 V _{PK} | 600 V _{RMS} reinforced insulation per CSA 62368-1 and IEC 62368-1; 600 V _{RMS} reinforced insulation per CSA 61010-1 and IEC 61010-1 (pollution degree 2, material group I); 2 MOPP (Means of Patient Protection) per CSA 60601-1 and IEC 60601-1, 250 V _{RMS} max working voltage | Single protection, 5000 V _{RMS} | Reinforced insulation, Altitude ≤ 5000 m, Tropical Climate, 700 V _{RMS} maximum working voltage | 5000 V _{RMS} reinforced insulation per EN 61010-1 and EN 62368-1 up to working voltage of 600 V _{RMS} |
| Certificate number: 40040142 | Master contract number: 220991 | File number: E181974 | Certificate number: CQC21001304083 | Client ID number: 077311 |

6.8 Safety Limiting Values

Safety limiting⁽¹⁾ intends to minimize potential damage to the isolation barrier upon failure of input or output circuitry.

| PARAMETER | | TEST CONDITIONS | MIN | TYP | MAX | UNIT |
|----------------------|--|---|-----|-----|------|------|
| DW-16 PACKAGE | | | | | | |
| I _S | Safety input, output, or supply current ⁽¹⁾ | R _{θJA} = 68.8°C/W, V _I = 5.5 V, T _J = 150°C, T _A = 25°C | | | 330 | mA |
| | | R _{θJA} = 68.8°C/W, V _I = 3.6 V, T _J = 150°C, T _A = 25°C | | | 504 | mA |
| | | R _{θJA} = 68.8°C/W, V _I = 2.75 V, T _J = 150°C, T _A = 25°C | | | 660 | mA |
| | | R _{θJA} = 68.8°C/W, V _I = 1.89 V, T _J = 150°C, T _A = 25°C | | | 956 | mA |
| P _S | Safety input, output, or total power ⁽¹⁾ | R _{θJA} = 68.8°C/W, T _J = 150°C, T _A = 25°C | | | 1820 | mW |
| T _S | Maximum safety temperature ⁽¹⁾ | | | | 150 | °C |

- (1) The maximum safety temperature, T_S, has the same value as the maximum junction temperature, T_J, specified for the device. The I_S and P_S parameters represent the safety current and safety power respectively. The maximum limits of I_S and P_S should not be exceeded. These limits vary with the ambient temperature, T_A.
The junction-to-air thermal resistance, R_{θJA}, in the table is that of a device installed on a high-K test board for leaded surface-mount packages. Use these equations to calculate the value for each parameter:
T_J = T_A + R_{θJA} × P, where P is the power dissipated in the device.
T_{J(max)} = T_S = T_A + R_{θJA} × P_S, where T_{J(max)} is the maximum allowed junction temperature.
P_S = I_S × V_I, where V_I is the maximum input voltage.

6.9 Electrical Characteristics—5-V Supply

over recommended operating conditions (unless otherwise noted)

| PARAMETER | | TEST CONDITIONS | MIN | TYP | MAX | UNIT |
|---------------|------------------------------------|---|----------------------|-------------------------------------|-----|-------|
| V_{OH} | High-level output voltage | $I_{OH} = -4$ mA; See Figure 7-1 | $V_{CCO} - 0.4$ | | | V |
| V_{OL} | Low-level output voltage | $I_{OL} = 4$ mA; See Figure 7-1 | | | 0.4 | V |
| $V_{IT+(IN)}$ | Rising input switching threshold | | | $0.7 \times V_{CCI}$ ⁽¹⁾ | | V |
| $V_{IT-(IN)}$ | Falling input switching threshold | | $0.3 \times V_{CCI}$ | | | V |
| $V_{I(HYS)}$ | Input threshold voltage hysteresis | | $0.1 \times V_{CCI}$ | | | V |
| I_{IH} | High-level input current | $V_{IH} = V_{CCI}$ ⁽¹⁾ at INx | | | 10 | μA |
| I_{IL} | Low-level input current | $V_{IL} = 0$ V at INx | -10 | | | μA |
| CMTI | Common mode transient immunity | $V_I = V_{CC}$ or 0 V, $V_{CM} = 1200$ V; See Figure 7-3 | 100 | 150 | | kV/μs |
| C_i | Input Capacitance ⁽²⁾ | $V_I = V_{CC}/2 + 0.4 \times \sin(2\pi ft)$, $f = 2$ MHz, $V_{CC} = 5$ V | | 2.8 | | pF |

(1) V_{CCI} = Input-side V_{CC} ; V_{CCO} = Output-side V_{CC}

(2) Measured from input pin to same side ground.

6.10 Supply Current Characteristics—5-V Supply

$V_{CC1} = V_{CC2} = 5$ V $\pm 10\%$ (over recommended operating conditions unless otherwise noted).

| PARAMETER | TEST CONDITIONS | SUPPLY CURRENT | MIN | TYP | MAX | UNIT | |
|----------------------------|--|----------------|-----------|-----|------|------|------|
| ISO6760 | | | | | | | |
| Supply current - DC signal | $V_I = V_{CC1}$ (ISO6760); $V_I = 0$ V (ISO6760 with F suffix) | I_{CC1} | | 2.2 | 2.8 | mA | |
| | | I_{CC2} | | 3.1 | 5.2 | | |
| | $V_I = 0$ V (ISO6760); $V_I = V_{CC1}$ (ISO6760 with F suffix) | I_{CC1} | | 8.3 | 11.1 | | |
| | | I_{CC2} | | 3.4 | 5.7 | | |
| Supply current - AC signal | All channels switching with square wave clock input; $C_L = 15$ pF | 1 Mbps | I_{CC1} | | 5.3 | | 7.0 |
| | | | I_{CC2} | | 3.7 | | 5.9 |
| | | 10 Mbps | I_{CC1} | | 5.4 | | 7.2 |
| | | | I_{CC2} | | 7.0 | | 9.7 |
| | | 50 Mbps | I_{CC1} | | 6.3 | 8.1 | |
| | | | I_{CC2} | | 21.9 | 26.6 | |
| ISO6761 | | | | | | | |
| Supply current - DC signal | $V_I = V_{CC1}$ (ISO6761); $V_I = 0$ V (ISO6761 with F suffix) | I_{CC1} | | 2.4 | 3.5 | mA | |
| | | I_{CC2} | | 3.6 | 5.8 | | |
| | $V_I = 0$ V (ISO6761); $V_I = V_{CC1}$ (ISO6761 with F suffix) | I_{CC1} | | 7.6 | 10.4 | | |
| | | I_{CC2} | | 5.0 | 7.6 | | |
| Supply current - AC signal | All channels switching with square wave clock input; $C_L = 15$ pF | 1 Mbps | I_{CC1} | | 5.1 | | 7.0 |
| | | | I_{CC2} | | 4.6 | | 7.0 |
| | | 10 Mbps | I_{CC1} | | 5.8 | | 7.8 |
| | | | I_{CC2} | | 7.4 | | 10.2 |
| | | 50 Mbps | I_{CC1} | | 8.9 | 11.4 | |
| | | | I_{CC2} | | 20.0 | 24.4 | |
| ISO6762 | | | | | | | |

$V_{CC1} = V_{CC2} = 5\text{ V} \pm 10\%$ (over recommended operating conditions unless otherwise noted).

| PARAMETER | TEST CONDITIONS | | SUPPLY CURRENT | MIN | TYP | MAX | UNIT |
|----------------------------|---|---------|--------------------|--------------------|------|------|------|
| Supply current - DC signal | $V_I = V_{CC1}$ (ISO6762); $V_I = 0\text{ V}$ (ISO6762 with F suffix) | | I_{CC1} | | 2.7 | 4.1 | mA |
| | | | I_{CC2} | | 3.3 | 5.2 | |
| | $V_I = 0\text{ V}$ (ISO6762); $V_I = V_{CC1}$ (ISO6762 with F suffix) | | I_{CC1} | | 6.9 | 9.7 | |
| | | | I_{CC2} | | 5.6 | 8.3 | |
| Supply current - AC signal | All channels switching with square wave clock input; $C_L = 15\text{ pF}$ | 1 Mbps | I_{CC1} | | 5 | 7 | |
| | | | I_{CC2} | | 4.7 | 7 | |
| | | 10 Mbps | I_{CC1} | | 6.2 | 8.4 | |
| | | | I_{CC2} | | 7 | 9.6 | |
| | | 50 Mbps | I_{CC1} | | 11.7 | 14.6 | |
| | | | I_{CC2} | | 17.2 | 21.1 | |
| ISO6763 | | | | | | | |
| Supply current - DC signal | $V_I = V_{CC1}$ (ISO6763); $V_I = 0\text{ V}$ (ISO6763 with F suffix) | | I_{CC1}, I_{CC2} | | 3 | 4.7 | mA |
| | $V_I = 0\text{ V}$ (ISO6763); $V_I = V_{CC1}$ (ISO6763 with F suffix) | | I_{CC1}, I_{CC2} | | 6.3 | 9 | |
| Supply current - AC signal | All channels switching with square wave clock input; $C_L = 15\text{ pF}$ | 1 Mbps | I_{CC1}, I_{CC2} | | 4.8 | 7 | |
| | | | 10 Mbps | I_{CC1}, I_{CC2} | | 6.6 | |
| | | 50 Mbps | | I_{CC1}, I_{CC2} | | 14.4 | |
| | | | I_{CC1}, I_{CC2} | | | | |

6.11 Electrical Characteristics—3.3-V Supply

 $V_{CC1} = V_{CC2} = 3.3\text{ V} \pm 10\%$ (over recommended operating conditions unless otherwise noted).

| PARAMETER | | TEST CONDITIONS | MIN | TYP | MAX | UNIT |
|---------------|------------------------------------|--|----------------------|----------------------------|-----|-------------------|
| V_{OH} | High-level output voltage | $I_{OH} = -2\text{mA}$; See Figure 7-1 | $V_{CCO} - 0.2$ | | | V |
| V_{OL} | Low-level output voltage | $I_{OL} = 2\text{mA}$; See Figure 7-1 | | | 0.2 | V |
| $V_{IT+(IN)}$ | Rising input switching threshold | | | $0.7 \times V_{CCI}^{(1)}$ | | V |
| $V_{IT-(IN)}$ | Falling input switching threshold | | $0.3 \times V_{CCI}$ | | | V |
| $V_{I(HYS)}$ | Input threshold voltage hysteresis | | $0.1 \times V_{CCI}$ | | | V |
| I_{IH} | High-level input current | $V_{IH} = V_{CCI}^{(1)}$ at INx | | | 10 | μA |
| I_{IL} | Low-level input current | $V_{IL} = 0\text{ V}$ at INx | -10 | | | μA |
| CMTI | Common mode transient immunity | $V_I = V_{CC}$ or 0 V , $V_{CM} = 1200\text{ V}$; See Figure 7-3 | 100 | 150 | | kV/ μs |
| C_i | Input Capacitance ⁽²⁾ | $V_I = V_{CC}/2 + 0.4 \times \sin(2\pi ft)$, $f = 2\text{ MHz}$, $V_{CC} = 3.3\text{ V}$ | | 2.8 | | pF |

 (1) $V_{CCI} =$ Input-side V_{CC} ; $V_{CCO} =$ Output-side V_{CC}

(2) Measured from input pin to same side ground.

6.12 Supply Current Characteristics—3.3-V Supply

 $V_{CC1} = V_{CC2} = 3.3\text{ V} \pm 10\%$ (over recommended operating conditions unless otherwise noted).

| PARAMETER | TEST CONDITIONS | SUPPLY CURRENT | MIN | TYP | MAX | UNIT | |
|----------------------------|---|----------------|-----------|-----|------|------|-----|
| ISO6760 | | | | | | | |
| Supply current - DC signal | $V_I = V_{CC1}$ (ISO6760); $V_I = 0\text{ V}$ (ISO6760 with F suffix) | I_{CC1} | | 2.2 | 2.8 | mA | |
| | | I_{CC2} | | 3.1 | 5.1 | | |
| | $V_I = 0\text{ V}$ (ISO6760); $V_I = V_{CC1}$ (ISO6760 with F suffix) | I_{CC1} | | 8.3 | 10.9 | | |
| | | I_{CC2} | | 3.4 | 5.6 | | |
| Supply current - AC signal | All channels switching with square wave clock input; $C_L = 15\text{ pF}$ | 1 Mbps | I_{CC1} | | 5.3 | | 6.9 |
| | | | I_{CC2} | | 3.5 | | 5.7 |
| | | 10 Mbps | I_{CC1} | | 5.3 | | 7 |
| | | | I_{CC2} | | 5.9 | | 8.5 |
| | | 50 Mbps | I_{CC1} | | 5.9 | 7.6 | |
| | | | I_{CC2} | | 16.6 | 20.9 | |
| ISO6761 | | | | | | | |
| Supply current - DC signal | $V_I = V_{CC1}$ (ISO6761); $V_I = 0\text{ V}$ (ISO6761 with F suffix) | I_{CC1} | | 2.4 | 3.5 | mA | |
| | | I_{CC2} | | 3.6 | 5.8 | | |
| | $V_I = 0\text{ V}$ (ISO6761); $V_I = V_{CC1}$ (ISO6761 with F suffix) | I_{CC1} | | 7.5 | 10.3 | | |
| | | I_{CC2} | | 4.9 | 7.5 | | |
| Supply current - AC signal | All channels switching with square wave clock input; $C_L = 15\text{ pF}$ | 1 Mbps | I_{CC1} | | 5 | | 7 |
| | | | I_{CC2} | | 4.5 | | 6.9 |
| | | 10 Mbps | I_{CC1} | | 5.5 | | 7.5 |
| | | | I_{CC2} | | 6.5 | | 9.2 |
| | | 50 Mbps | I_{CC1} | | 7.7 | 10 | |
| | | | I_{CC2} | | 15.5 | 19.6 | |
| ISO6762 | | | | | | | |

$V_{CC1} = V_{CC2} = 3.3\text{ V} \pm 10\%$ (over recommended operating conditions unless otherwise noted).

| PARAMETER | TEST CONDITIONS | | SUPPLY CURRENT | MIN | TYP | MAX | UNIT |
|----------------------------|---|---------|--------------------|--------------------|------|------|------|
| Supply current - DC signal | $V_I = V_{CC1}$ (ISO6762); $V_I = 0\text{ V}$ (ISO6762 with F suffix) | | I_{CC1} | | 2.7 | 4.1 | mA |
| | | | I_{CC2} | | 3.3 | 5.2 | |
| | $V_I = 0\text{ V}$ (ISO6762); $V_I = V_{CC1}$ (ISO6762 with F suffix) | | I_{CC1} | | 6.9 | 9.6 | |
| | | | I_{CC2} | | 5.6 | 8.2 | |
| Supply current - AC signal | All channels switching with square wave clock input; $C_L = 15\text{ pF}$ | 1 Mbps | I_{CC1} | | 4.9 | 6.9 | |
| | | | I_{CC2} | | 4.6 | 6.9 | |
| | | 10 Mbps | I_{CC1} | | 5.7 | 7.9 | |
| | | | I_{CC2} | | 6.2 | 8.8 | |
| | | 50 Mbps | I_{CC1} | | 9.6 | 12.4 | |
| | | | I_{CC2} | | 13.5 | 17.1 | |
| ISO6763 | | | | | | | |
| Supply current - DC signal | $V_I = V_{CCI}$ (ISO6763); $V_I = 0\text{ V}$ (ISO6763 with F suffix) | | I_{CC1}, I_{CC2} | | 3 | 4.6 | mA |
| | $V_I = 0\text{ V}$ (ISO6763); $V_I = V_{CCI}$ (ISO6763 with F suffix) | | I_{CC1}, I_{CC2} | | 6.2 | 8.9 | |
| Supply current - AC signal | All channels switching with square wave clock input; $C_L = 15\text{ pF}$ | 1 Mbps | I_{CC1}, I_{CC2} | | 4.8 | 6.9 | |
| | | | 10 Mbps | I_{CC1}, I_{CC2} | | 6 | |
| | | 50 Mbps | | I_{CC1}, I_{CC2} | | 11.6 | |
| | | | I_{CC1}, I_{CC2} | | | | |

6.13 Electrical Characteristics—2.5-V Supply

 $V_{CC1} = V_{CC2} = 2.5\text{ V} \pm 10\%$ (over recommended operating conditions unless otherwise noted).

| PARAMETER | | TEST CONDITIONS | MIN | TYP | MAX | UNIT |
|---------------|------------------------------------|---|----------------------|----------------------------|-----|-------------------|
| V_{OH} | High-level output voltage | $I_{OH} = -1\text{mA}$; See Figure 7-1 | $V_{CCO} - 0.1$ | | | V |
| V_{OL} | Low-level output voltage | $I_{OL} = 1\text{mA}$; See Figure 7-1 | | | 0.1 | V |
| $V_{IT+(IN)}$ | Rising input switching threshold | | | $0.7 \times V_{CCI}^{(1)}$ | | V |
| $V_{IT-(IN)}$ | Falling input switching threshold | | $0.3 \times V_{CCI}$ | | | V |
| $V_{I(HYS)}$ | Input threshold voltage hysteresis | | $0.1 \times V_{CCI}$ | | | V |
| I_{IH} | High-level input current | $V_{IH} = V_{CCI}^{(1)}$ at INx | | | 10 | μA |
| I_{IL} | Low-level input current | $V_{IL} = 0\text{ V}$ at INx | -10 | | | μA |
| CMTI | Common mode transient immunity | $V_I = V_{CC}$ or 0 V , $V_{CM} = 1200\text{ V}$; See Figure 7-3 | 100 | 150 | | kV/ μs |
| C_i | Input Capacitance ⁽²⁾ | $V_I = V_{CC}/2 + 0.4 \times \sin(2\pi f t)$, $f = 2\text{ MHz}$, $V_{CC} = 2.5\text{ V}$ | | 2.8 | | pF |

 (1) $V_{CCI} =$ Input-side V_{CC} ; $V_{CCO} =$ Output-side V_{CC}

(2) Measured from input pin to same side ground.

6.14 Supply Current Characteristics—2.5-V Supply

 $V_{CC1} = V_{CC2} = 2.5\text{ V} \pm 10\%$ (over recommended operating conditions unless otherwise noted).

| PARAMETER | TEST CONDITIONS | SUPPLY CURRENT | MIN | TYP | MAX | UNIT | |
|----------------------------|---|----------------|-----------|-----|------|------|-----|
| ISO6760 | | | | | | | |
| Supply current - DC signal | $V_I = V_{CC1}$ (ISO6760); $V_I = 0\text{ V}$ (ISO6760 with F suffix) | I_{CC1} | | 2.2 | 2.8 | mA | |
| | | I_{CC2} | | 3.1 | 5.1 | | |
| | $V_I = 0\text{ V}$ (ISO6760); $V_I = V_{CC1}$ (ISO6760 with F suffix) | I_{CC1} | | 8.3 | 10.8 | | |
| | | I_{CC2} | | 3.4 | 5.6 | | |
| Supply current - AC signal | All channels switching with square wave clock input; $C_L = 15\text{ pF}$ | 1 Mbps | I_{CC1} | | 5.2 | | 6.8 |
| | | | I_{CC2} | | 3.5 | | 5.6 |
| | | 10 Mbps | I_{CC1} | | 5.3 | | 6.9 |
| | | | I_{CC2} | | 5.3 | | 7.7 |
| | | 50 Mbps | I_{CC1} | | 5.7 | 7.5 | |
| | | | I_{CC2} | | 13.2 | 16.9 | |
| ISO6761 | | | | | | | |
| Supply current - DC signal | $V_I = V_{CC1}$ (ISO6761); $V_I = 0\text{ V}$ (ISO6761 with F suffix) | I_{CC1} | | 2.4 | 3.5 | mA | |
| | | I_{CC2} | | 3.6 | 5.7 | | |
| | $V_I = 0\text{ V}$ (ISO6761); $V_I = V_{CC1}$ (ISO6761 with F suffix) | I_{CC1} | | 7.5 | 10.3 | | |
| | | I_{CC2} | | 4.9 | 7.5 | | |
| Supply current - AC signal | All channels switching with square wave clock input; $C_L = 15\text{ pF}$ | 1 Mbps | I_{CC1} | | 5 | | 6.9 |
| | | | I_{CC2} | | 4.4 | | 6.8 |
| | | 10 Mbps | I_{CC1} | | 5.3 | | 7.3 |
| | | | I_{CC2} | | 5.9 | | 8.5 |
| | | 50 Mbps | I_{CC1} | | 7 | 9.3 | |
| | | | I_{CC2} | | 12.7 | 16.3 | |
| ISO6762 | | | | | | | |

$V_{CC1} = V_{CC2} = 2.5\text{ V} \pm 10\%$ (over recommended operating conditions unless otherwise noted).

| PARAMETER | TEST CONDITIONS | | SUPPLY CURRENT | MIN | TYP | MAX | UNIT |
|----------------------------|---|---------|--------------------|-----|------|------|------|
| Supply current - DC signal | $V_I = V_{CC1}$ (ISO6762); $V_I = 0\text{ V}$ (ISO6762 with F suffix) | | I_{CC1} | | 2.7 | 4 | mA |
| | | | I_{CC2} | | 3.3 | 5.2 | |
| | $V_I = 0\text{ V}$ (ISO6762); $V_I = V_{CC1}$ (ISO6762 with F suffix) | | I_{CC1} | | 6.9 | 9.6 | |
| | | | I_{CC2} | | 5.6 | 8.2 | |
| Supply current - AC signal | All channels switching with square wave clock input; $C_L = 15\text{ pF}$ | 1 Mbps | I_{CC1} | | 4.9 | 6.9 | |
| | | | I_{CC2} | | 4.6 | 6.8 | |
| | | 10 Mbps | I_{CC1} | | 5.5 | 7.6 | |
| | | | I_{CC2} | | 5.8 | 8.2 | |
| | | 50 Mbps | I_{CC1} | | 8.4 | 11 | |
| | | | I_{CC2} | | 11.2 | 14.5 | |
| ISO6763 | | | | | | | |
| Supply current - DC signal | $V_I = V_{CC1}$ (ISO6763); $V_I = 0\text{ V}$ (ISO6763 with F suffix) | | I_{CC1}, I_{CC2} | | 3 | 4.6 | mA |
| | $V_I = 0\text{ V}$ (ISO6763); $V_I = V_{CC1}$ (ISO6763 with F suffix) | | I_{CC1}, I_{CC2} | | 6.2 | 8.9 | |
| Supply current - AC signal | All channels switching with square wave clock input; $C_L = 15\text{ pF}$ | 1 Mbps | I_{CC1}, I_{CC2} | | 4.7 | 6.9 | |
| | | 10 Mbps | I_{CC1}, I_{CC2} | | 5.6 | 7.9 | |
| | | 50 Mbps | I_{CC1}, I_{CC2} | | 9.8 | 12.7 | |

6.15 Electrical Characteristics—1.8-V Supply

$V_{CC1} = V_{CC2} = 1.8\text{ V} \pm 10\%$ (over recommended operating conditions unless otherwise noted).

| PARAMETER | | TEST CONDITIONS | MIN | TYP | MAX | UNIT |
|---------------|------------------------------------|--|----------------------|----------------------------|-----|-------------------|
| V_{OH} | High-level output voltage | $I_{OH} = -1\text{ mA}$; See Figure 7-1 | $V_{CCO} - 0.1$ | | | V |
| V_{OL} | Low-level output voltage | $I_{OL} = 1\text{ mA}$; See Figure 7-1 | | | 0.1 | V |
| $V_{IT+(IN)}$ | Rising input switching threshold | | | $0.7 \times V_{CC1}^{(1)}$ | | V |
| $V_{IT-(IN)}$ | Falling input switching threshold | | $0.3 \times V_{CC1}$ | | | V |
| $V_{I(HYS)}$ | Input threshold voltage hysteresis | | $0.1 \times V_{CC1}$ | | | V |
| I_{IH} | High-level input current | $V_{IH} = V_{CC1}^{(1)}$ at INx | | | 10 | μA |
| I_{IL} | Low-level input current | $V_{IL} = 0\text{ V}$ at INx | -10 | | | μA |
| CMTI | Common mode transient immunity | $V_I = V_{CC}$ or 0 V , $V_{CM} = 1200\text{ V}$; See Figure 7-3 | 50 | 75 | | kV/ μs |
| C_i | Input Capacitance ⁽²⁾ | $V_I = V_{CC}/2 + 0.4 \times \sin(2\pi ft)$, $f = 2\text{ MHz}$, $V_{CC} = 1.8\text{ V}$ | | 2.8 | | pF |

- (1) V_{CC1} = Input-side V_{CC} ; V_{CCO} = Output-side V_{CC}
 (2) Measured from input pin to same side ground.

6.16 Supply Current Characteristics—1.8-V Supply

$V_{CC1} = V_{CC2} = 1.8\text{ V} \pm 10\%$ (over recommended operating conditions unless otherwise noted).

| PARAMETER | TEST CONDITIONS | | SUPPLY CURRENT | MIN | TYP | MAX | UNIT |
|----------------------------|---|---------|----------------|-----|------|------|------|
| ISO6760 | | | | | | | |
| Supply current - DC signal | $V_I = V_{CC1}$ (ISO6760); $V_I = 0\text{ V}$ (ISO6760 with F suffix) | | I_{CC1} | | 1.5 | 2.1 | mA |
| | | | I_{CC2} | | 3 | 5.1 | |
| | $V_I = 0\text{ V}$ (ISO6760); $V_I = V_{CC1}$ (ISO6760 with F suffix) | | I_{CC1} | | 7.3 | 10.3 | |
| | | | I_{CC2} | | 3.3 | 5.6 | |
| Supply current - AC signal | All channels switching with square wave clock input; $C_L = 15\text{ pF}$ | 1 Mbps | I_{CC1} | | 4.4 | 6.2 | |
| | | | I_{CC2} | | 3.3 | 5.5 | |
| | | 10 Mbps | I_{CC1} | | 4.5 | 6.3 | |
| | | | I_{CC2} | | 4.6 | 7 | |
| | | 50 Mbps | I_{CC1} | | 4.8 | 6.7 | |
| | | | I_{CC2} | | 10.1 | 13 | |
| ISO6761 | | | | | | | |
| Supply current - DC signal | $V_I = V_{CC1}$ (ISO6761); $V_I = 0\text{ V}$ (ISO6761 with F suffix) | | I_{CC1} | | 1.8 | 2.9 | mA |
| | | | I_{CC2} | | 3.4 | 5.7 | |
| | $V_I = 0\text{ V}$ (ISO6761); $V_I = V_{CC1}$ (ISO6761 with F suffix) | | I_{CC1} | | 6.7 | 9.8 | |
| | | | I_{CC2} | | 4.6 | 7.4 | |
| Supply current - AC signal | All channels switching with square wave clock input; $C_L = 15\text{ pF}$ | 1 Mbps | I_{CC1} | | 4.3 | 6.4 | |
| | | | I_{CC2} | | 4.1 | 6.7 | |
| | | 10 Mbps | I_{CC1} | | 4.6 | 6.7 | |
| | | | I_{CC2} | | 5.2 | 7.9 | |
| | | 50 Mbps | I_{CC1} | | 5.8 | 8.1 | |
| | | | I_{CC2} | | 9.9 | 13 | |
| ISO6762 | | | | | | | |

$V_{CC1} = V_{CC2} = 1.8\text{ V} \pm 10\%$ (over recommended operating conditions unless otherwise noted).

| PARAMETER | TEST CONDITIONS | | SUPPLY CURRENT | MIN | TYP | MAX | UNIT |
|----------------------------|---|---------|--------------------|--------------------|-----|------|------|
| Supply current - DC signal | $V_I = V_{CC1}$ (ISO6762); $V_I = 0\text{ V}$ (ISO6762 with F suffix) | | I_{CC1} | | 2.2 | 3.6 | mA |
| | | | I_{CC2} | | 3 | 5 | |
| | $V_I = 0\text{ V}$ (ISO6762); $V_I = V_{CC1}$ (ISO6762 with F suffix) | | I_{CC1} | | 6.2 | 9.2 | |
| | | | I_{CC2} | | 5.1 | 8 | |
| Supply current - AC signal | All channels switching with square wave clock input; $C_L = 15\text{ pF}$ | 1 Mbps | I_{CC1} | | 4.3 | 6.5 | |
| | | | I_{CC2} | | 4.2 | 6.6 | |
| | | 10 Mbps | I_{CC1} | | 4.7 | 7 | |
| | | | I_{CC2} | | 5 | 7.6 | |
| | | 50 Mbps | I_{CC1} | | 6.8 | 9.3 | |
| | | | I_{CC2} | | 8.9 | 11.8 | |
| ISO6763 | | | | | | | |
| Supply current - DC signal | $V_I = V_{CCI}$ (ISO6763); $V_I = 0\text{ V}$ (ISO6763 with F suffix) | | I_{CC1}, I_{CC2} | | 2.6 | 4.3 | mA |
| | $V_I = 0\text{ V}$ (ISO6763); $V_I = V_{CCI}$ (ISO6763 with F suffix) | | I_{CC1}, I_{CC2} | | 5.7 | 8.6 | |
| Supply current - AC signal | All channels switching with square wave clock input; $C_L = 15\text{ pF}$ | 1 Mbps | I_{CC1}, I_{CC2} | | 4.2 | 6.5 | |
| | | | 10 Mbps | I_{CC1}, I_{CC2} | | 4.9 | |
| | | 50 Mbps | | I_{CC1}, I_{CC2} | | 7.9 | |
| | | | I_{CC1}, I_{CC2} | | | | |

6.17 Switching Characteristics—5-V Supply

$V_{CC1} = V_{CC2} = 5\text{ V} \pm 10\%$ (over recommended operating conditions unless otherwise noted)

| PARAMETER | | TEST CONDITIONS | MIN | TYP | MAX | UNIT |
|--------------------|---|--|-----|-----|-----|---------------|
| ISO676x | | | | | | |
| t_{PLH}, t_{PHL} | Propagation delay time | See Figure 7-1 | | 11 | 18 | ns |
| PWD | Pulse width distortion ⁽¹⁾ $ t_{PHL} - t_{PLH} $ | | | | 7 | ns |
| $t_{sk(o)}$ | Channel-to-channel output skew time ⁽²⁾ | Same-direction channels | | | 6 | ns |
| $t_{sk(pp)}$ | Part-to-part skew time ⁽³⁾ | | | | 6 | ns |
| t_r | Output signal rise time | See Figure 7-1 | | | 4.5 | ns |
| t_f | Output signal fall time | | | | 4.5 | ns |
| t_{PU} | Time from UVLO to valid output data | | | | 300 | μs |
| t_{DO} | Default output delay time from input power loss | Measured from the time VCC goes below 1.2V. See Figure 7-2 | | 0.1 | 0.3 | μs |
| t_{ie} | Time interval error | $2^{16} - 1$ PRBS data at 50 Mbps | | 1 | | ns |

- (1) Also known as pulse skew.
- (2) $t_{sk(o)}$ is the skew between outputs of a single device with all driving inputs connected together and the outputs switching in the same direction while driving identical loads.
- (3) $t_{sk(pp)}$ is the magnitude of the difference in propagation delay times between any terminals of different devices switching in the same direction while operating at identical supply voltages, temperature, input signals and loads.

6.18 Switching Characteristics—3.3-V Supply

$V_{CC1} = V_{CC2} = 3.3\text{ V} \pm 10\%$ (over recommended operating conditions unless otherwise noted)

| PARAMETER | | TEST CONDITIONS | MIN | TYP | MAX | UNIT |
|--------------------|---|--|-----|-----|-----|---------------|
| ISO676x | | | | | | |
| t_{PLH}, t_{PHL} | Propagation delay time | See Figure 7-1 | | 11 | 18 | ns |
| PWD | Pulse width distortion ⁽¹⁾ $ t_{PHL} - t_{PLH} $ | | | | 7 | ns |
| $t_{sk(o)}$ | Channel-to-channel output skew time ⁽²⁾ | Same-direction channels | | | 6 | ns |
| $t_{sk(pp)}$ | Part-to-part skew time ⁽³⁾ | | | | 7 | ns |
| t_r | Output signal rise time | See Figure 7-1 | | | 3.2 | ns |
| t_f | Output signal fall time | | | | 3.2 | ns |
| t_{PU} | Time from UVLO to valid output data | | | | 300 | μs |
| t_{DO} | Default output delay time from input power loss | Measured from the time VCC goes below 1.2V. See Figure 7-2 | | 0.1 | 0.3 | μs |
| t_{ie} | Time interval error | $2^{16} - 1$ PRBS data at 50 Mbps | | 1 | | ns |

- (1) Also known as pulse skew.
- (2) $t_{sk(o)}$ is the skew between outputs of a single device with all driving inputs connected together and the outputs switching in the same direction while driving identical loads.
- (3) $t_{sk(pp)}$ is the magnitude of the difference in propagation delay times between any terminals of different devices switching in the same direction while operating at identical supply voltages, temperature, input signals and loads.

6.19 Switching Characteristics—2.5-V Supply

$V_{CC1} = V_{CC2} = 2.5\text{ V} \pm 10\%$ (over recommended operating conditions unless otherwise noted)

| PARAMETER | | TEST CONDITIONS | MIN | TYP | MAX | UNIT |
|--------------------|---|--|-----|-----|------|---------------|
| ISO676x | | | | | | |
| t_{PLH}, t_{PHL} | Propagation delay time | See Figure 7-1 | | 12 | 20.5 | ns |
| PWD | Pulse width distortion ⁽¹⁾ $ t_{PHL} - t_{PLH} $ | | | | 7.1 | ns |
| $t_{sk(o)}$ | Channel-to-channel output skew time ⁽²⁾ | Same-direction channels | | | 6 | ns |
| $t_{sk(pp)}$ | Part-to-part skew time ⁽³⁾ | | | | 7 | ns |
| t_r | Output signal rise time | See Figure 7-1 | | | 4 | ns |
| t_f | Output signal fall time | | | | 4 | ns |
| t_{PU} | Time from UVLO to valid output data | | | | 300 | μs |
| t_{DO} | Default output delay time from input power loss | Measured from the time VCC goes below 1.2V. See Figure 7-2 | | 0.1 | 0.3 | μs |
| t_{ie} | Time interval error | $2^{16} - 1$ PRBS data at 50 Mbps | | 1 | | ns |

- (1) Also known as pulse skew.
- (2) $t_{sk(o)}$ is the skew between outputs of a single device with all driving inputs connected together and the outputs switching in the same direction while driving identical loads.
- (3) $t_{sk(pp)}$ is the magnitude of the difference in propagation delay times between any terminals of different devices switching in the same direction while operating at identical supply voltages, temperature, input signals and loads.

6.20 Switching Characteristics—1.8-V Supply

$V_{CC1} = V_{CC2} = 1.8\text{ V} \pm 5\%$ (over recommended operating conditions unless otherwise noted)

| PARAMETER | | TEST CONDITIONS | MIN | TYP | MAX | UNIT |
|--------------------|--|--|-----|-----|-----|---------------|
| ISO676x | | | | | | |
| t_{PLH}, t_{PHL} | Propagation delay time | See Figure 7-1 | | 15 | 24 | ns |
| PWD | Pulse width distortion $ t_{PHL} - t_{PLH} $ | | | | 8.2 | ns |
| $t_{sk(o)}$ | Channel-to-channel output skew time ⁽¹⁾ | Same-direction channels | | | 6 | ns |
| $t_{sk(pp)}$ | Part-to-part skew time ⁽²⁾ | | | | 8.8 | ns |
| t_r | Output signal rise time | See Figure 7-1 | | | 4.7 | ns |
| t_f | Output signal fall time | | | | 4.7 | ns |
| t_{PU} | Time from UVLO to valid output data | | | | 300 | μs |
| t_{DO} | Default output delay time from input power loss | Measured from the time VCC goes below 1.2V. See Figure 7-2 | | 0.1 | 0.3 | μs |
| t_{ie} | Time interval error | $2^{16} - 1$ PRBS data at 50 Mbps | | 1 | | ns |

- (1) $t_{sk(o)}$ is the skew between outputs of a single device with all driving inputs connected together and the outputs switching in the same direction while driving identical loads.
- (2) $t_{sk(pp)}$ is the magnitude of the difference in propagation delay times between any terminals of different devices switching in the same direction while operating at identical supply voltages, temperature, input signals and loads.

6.21 Insulation Characteristics Curves

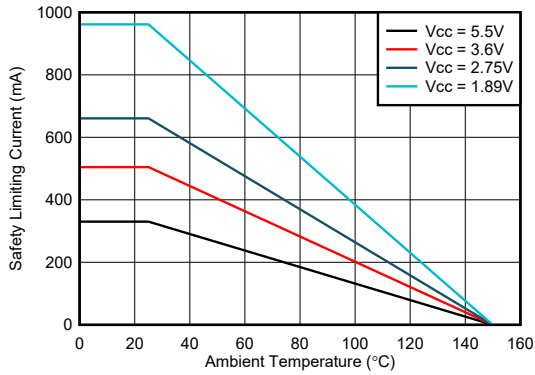


Figure 6-1. Thermal Derating Curve for Safety Limiting Current for DW-16 Package

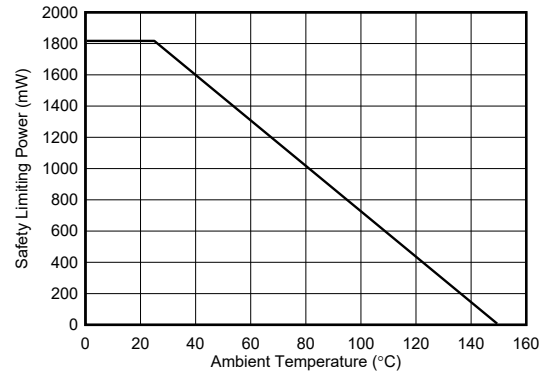


Figure 6-2. Thermal Derating Curve for Safety Limiting Power for DW-16 Package

6.22 Typical Characteristics

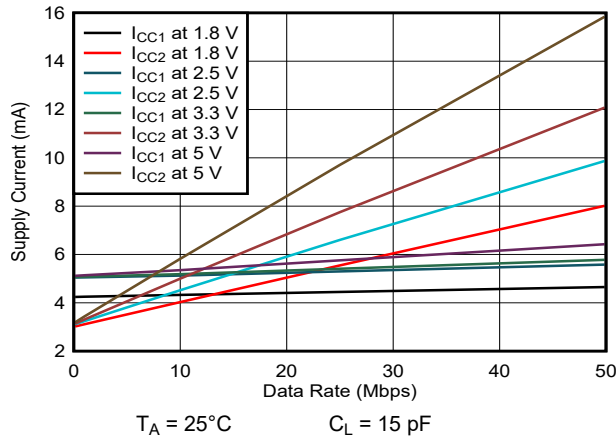


Figure 6-3. ISO6760-Q1 Supply Current vs Data Rate (With 15-pF Load)

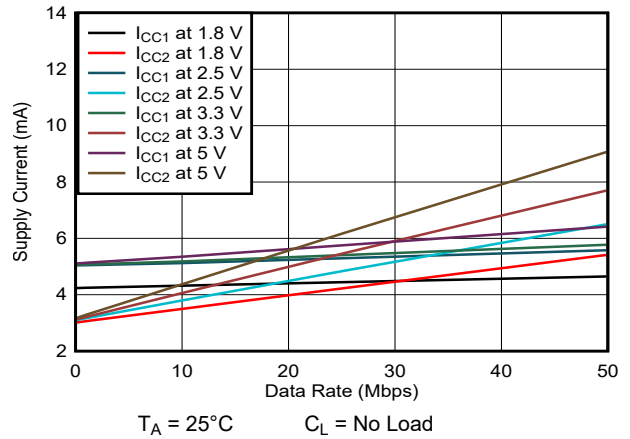


Figure 6-4. ISO6760-Q1 Supply Current vs Data Rate (With No Load)

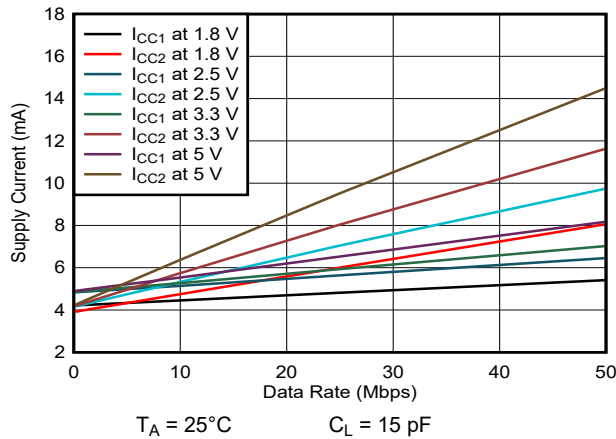


Figure 6-5. ISO6761-Q1 Supply Current vs Data Rate (With 15-pF Load)

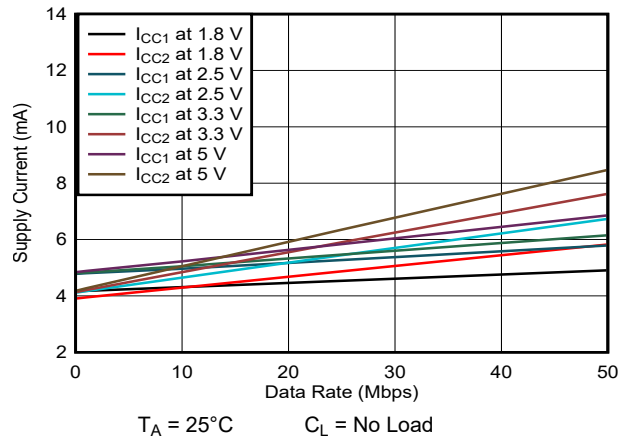


Figure 6-6. ISO6761-Q1 Supply Current vs Data Rate (With No Load)

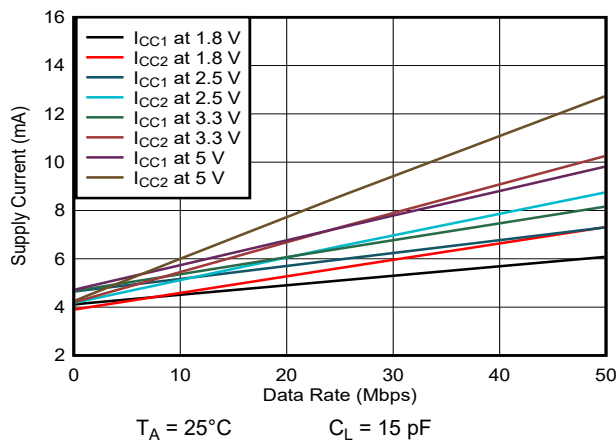


Figure 6-7. ISO6762-Q1 Supply Current vs Data Rate (With 15-pF Load)

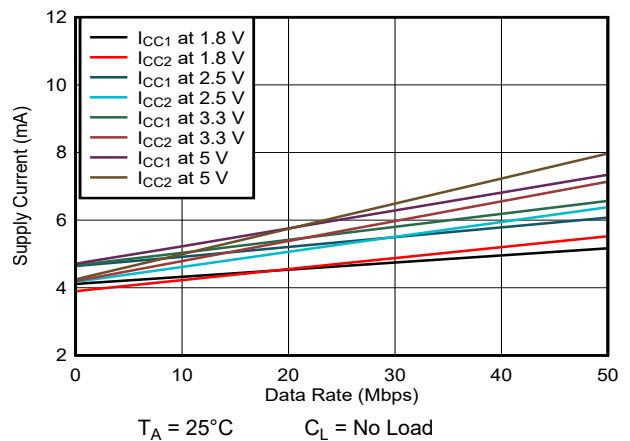


Figure 6-8. ISO6762-Q1 Supply Current vs Data Rate (With No Load)

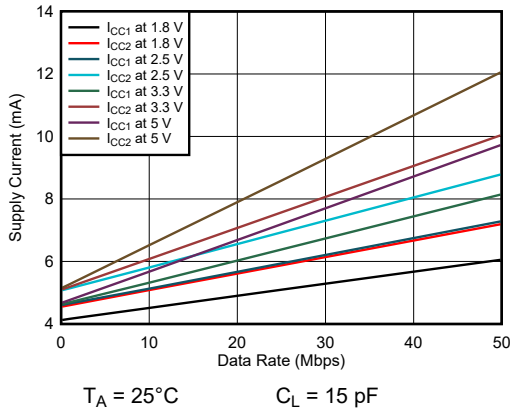


Figure 6-9. ISO6763-Q1 Supply Current vs Data Rate (With 15-pF Load)

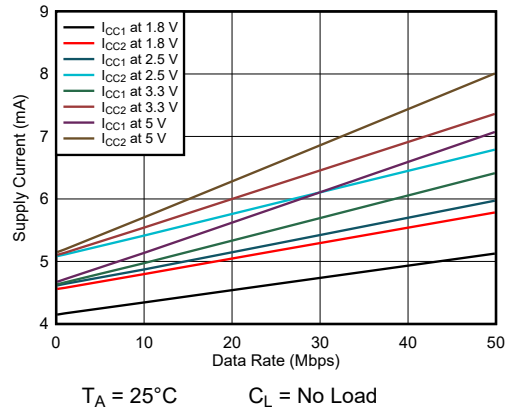


Figure 6-10. ISO6763-Q1 Supply Current vs Data Rate (With No Load)

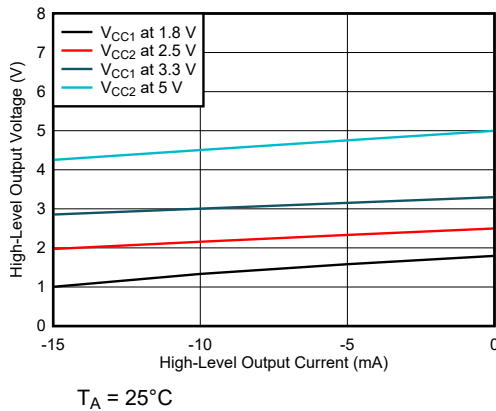


Figure 6-11. High-Level Output Voltage vs High-level Output Current

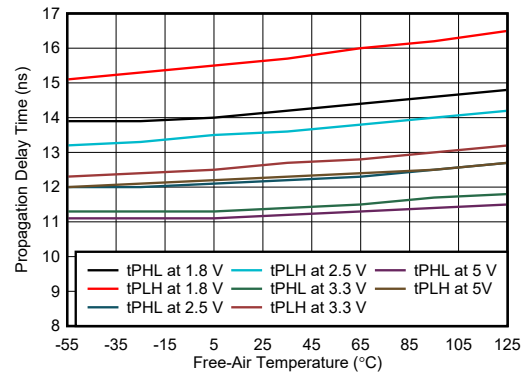


Figure 6-12. Propagation Delay Time vs Free-Air Temperature

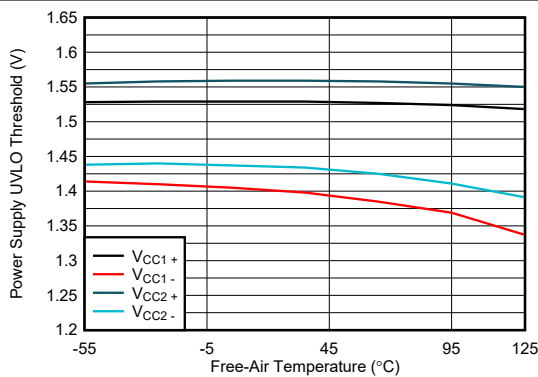


Figure 6-13. Power Supply Undervoltage Threshold vs Free-Air Temperature

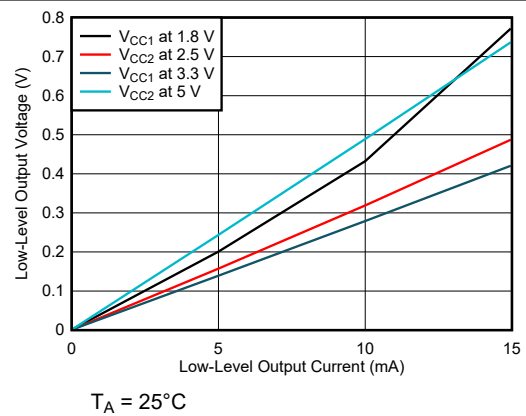
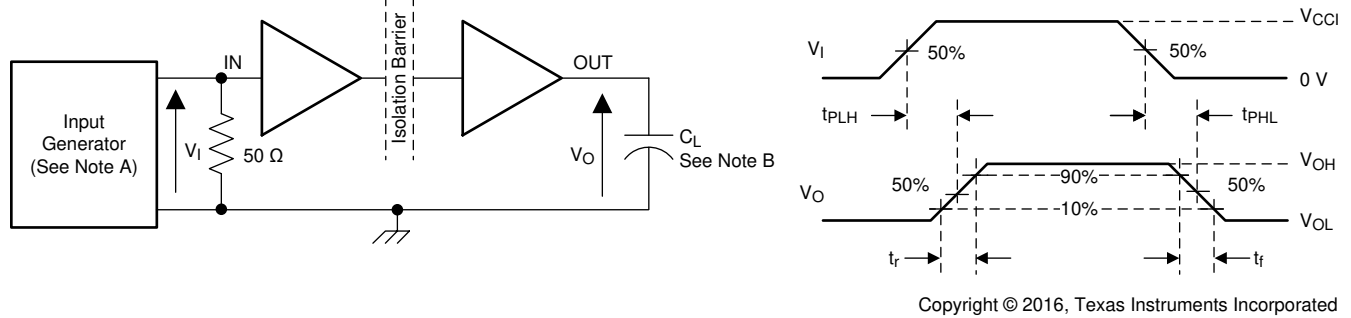


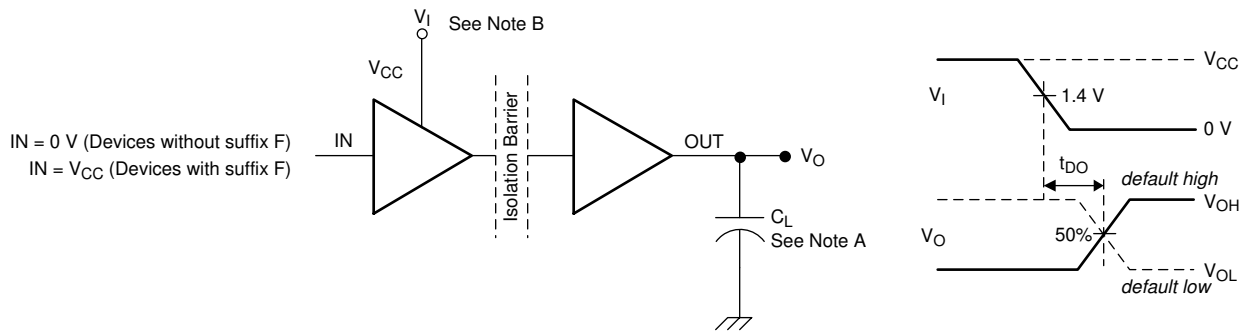
Figure 6-14. Low-Level Output Voltage vs Low-Level Output Current

7 Parameter Measurement Information



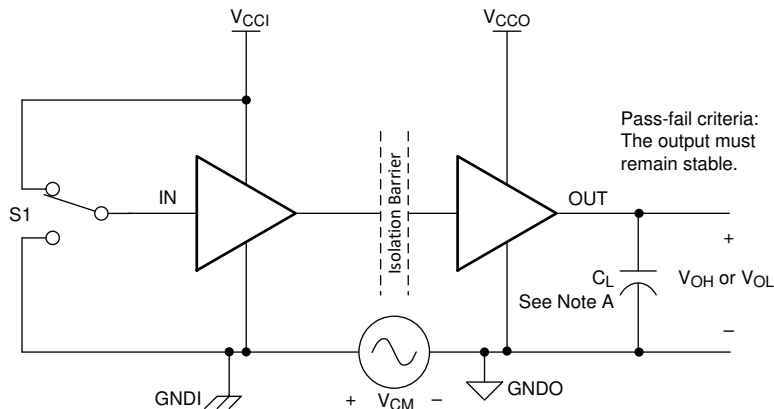
- A. The input pulse is supplied by a generator having the following characteristics: PRR ≤ 50 kHz, 50% duty cycle, $t_r \leq 3$ ns, $t_f \leq 3$ ns, $Z_O = 50 \Omega$. At the input, 50Ω resistor is required to terminate Input Generator signal. It is not needed in actual application.
- B. $C_L = 15$ pF and includes instrumentation and fixture capacitance within $\pm 20\%$.

Figure 7-1. Switching Characteristics Test Circuit and Voltage Waveforms



- A. $C_L = 15$ pF and includes instrumentation and fixture capacitance within $\pm 20\%$.
- B. Power Supply Ramp Rate = 10 mV/ns

Figure 7-2. Default Output Delay Time Test Circuit and Voltage Waveforms



- A. $C_L = 15$ pF and includes instrumentation and fixture capacitance within $\pm 20\%$.
- B. For optimized CMTI performance, a $0.1 \mu\text{F} + 1 \mu\text{F}$ decoupling capacitor should be placed close to V_{CC1} and V_{CC2} . Please see [Section 11.2](#) for capacitor placement details. A recommended $0.1 \mu\text{F}$ capacitor is LLL185R71A104MA11L (CAP CER 0.1UF 10V X7R 0306 - LW Reversed Low ESL Chip Ceramic Capacitors) or equivalent.

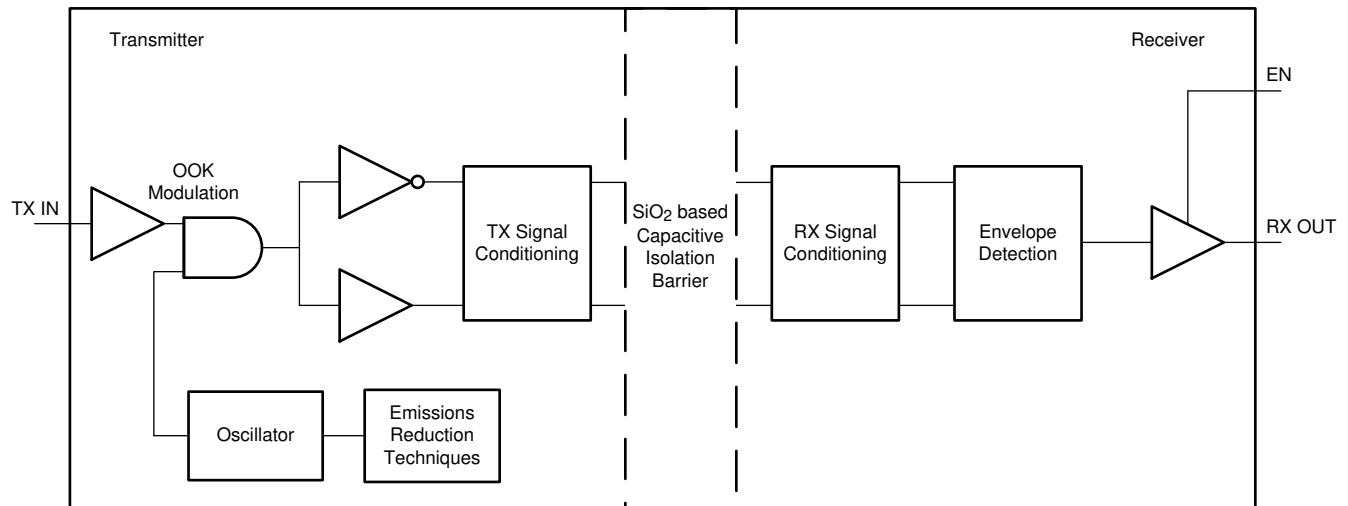
Figure 7-3. Common-Mode Transient Immunity Test Circuit

8 Detailed Description

8.1 Overview

The ISO676x-Q1 family of devices have an ON-OFF keying (OOK) modulation scheme to transmit the digital data across a silicon dioxide based isolation barrier. The transmitter sends a high frequency carrier across the barrier to represent one digital state and sends no signal to represent the other digital state. The receiver demodulates the signal after advanced signal conditioning and produces the output through a buffer stage. If the ENx pin is low then the output goes to high impedance. The ISO676x-Q1 devices also incorporate advanced circuit techniques to maximize the CMTI performance and minimize the radiated emissions due to the high frequency carrier and IO buffer switching. The conceptual block diagram of a digital capacitive isolator, [Figure 8-1](#), shows a functional block diagram of a typical channel.

8.2 Functional Block Diagram



Copyright © 2016, Texas Instruments Incorporated

Figure 8-1. Conceptual Block Diagram of a Digital Capacitive Isolator

[Figure 8-2](#) shows a conceptual detail of how the ON-OFF keying scheme works.

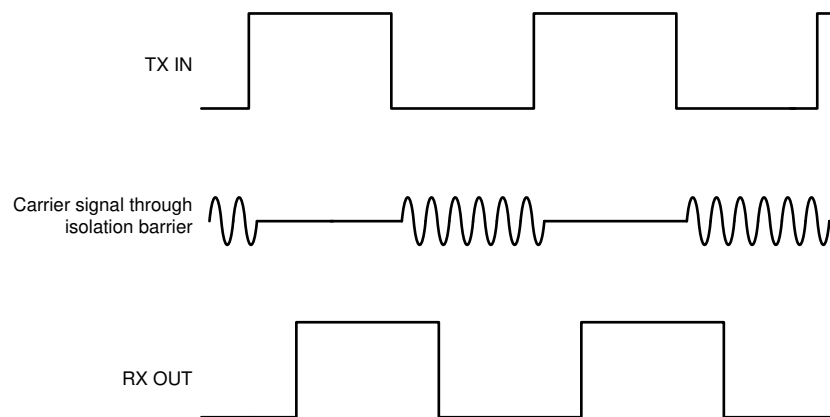


Figure 8-2. On-Off Keying (OOK) Based Modulation Scheme

8.3 Feature Description

Table 8-1 provides an overview of the device features.

Table 8-1. Device Features

| PART NUMBER | CHANNEL DIRECTION | MAXIMUM DATA RATE | DEFAULT OUTPUT | PACKAGE | RATED ISOLATION ⁽¹⁾ |
|-------------|----------------------|-------------------|----------------|---------|--|
| ISO6760-Q1 | 6 Forward, 0 Reverse | 50 Mbps | High | DW-16 | 5000 V _{RMS} / 7071 V _{PK} |
| ISO6760F-Q1 | 6 Forward, 0 Reverse | 50 Mbps | Low | DW-16 | 5000 V _{RMS} / 7071 V _{PK} |
| ISO6761-Q1 | 5 Forward, 1 Reverse | 50 Mbps | High | DW-16 | 5000 V _{RMS} / 7071 V _{PK} |
| ISO6761F-Q1 | 5 Forward, 1 Reverse | 50 Mbps | Low | DW-16 | 5000 V _{RMS} / 7071 V _{PK} |
| ISO6762-Q1 | 4 Forward, 2 Reverse | 50 Mbps | High | DW-16 | 5000 V _{RMS} / 7071 V _{PK} |
| ISO6762F-Q1 | 4 Forward, 2 Reverse | 50 Mbps | Low | DW-16 | 5000 V _{RMS} / 7071 V _{PK} |
| ISO6763-Q1 | 3 Forward, 3 Reverse | 50 Mbps | High | DW-16 | 5000 V _{RMS} / 7071 V _{PK} |
| ISO6763F-Q1 | 3 Forward, 3 Reverse | 50 Mbps | Low | DW-16 | 5000 V _{RMS} / 7071 V _{PK} |

(1) See [Safety-Related Certifications](#) for detailed isolation ratings.

8.3.1 Electromagnetic Compatibility (EMC) Considerations

Many applications in harsh industrial environment are sensitive to disturbances such as electrostatic discharge (ESD), electrical fast transient (EFT), surge and electromagnetic emissions. These electromagnetic disturbances are regulated by international standards such as IEC 61000-4-x and CISPR 25. Although system-level performance and reliability depends, to a large extent, on the application board design and layout, the ISO676x-Q1 family of devices incorporates many chip-level design improvements for overall system robustness. Some of these improvements include:

- Robust ESD protection cells for input and output signal pins and inter-chip bond pads.
- Low-resistance connectivity of ESD cells to supply and ground pins.
- Enhanced performance of high voltage isolation capacitor for better tolerance of ESD, EFT and surge events.
- Bigger on-chip decoupling capacitors to bypass undesirable high energy signals through a low impedance path.
- PMOS and NMOS devices isolated from each other by using guard rings to avoid triggering of parasitic SCRs.
- Reduced common mode currents across the isolation barrier by ensuring purely differential internal operation.

8.4 Device Functional Modes

Table 8-2 lists the functional modes for the ISO676x-Q1 devices.

Table 8-2. Function Table

| V_{CC1} ⁽¹⁾ | V_{CC0} | INPUT (INx) ⁽³⁾ | OUTPUT (OUTx) | COMMENTS |
|--------------------------|-----------|----------------------------|---------------|--|
| PU | PU | H | H | Normal Operation: A channel output assumes the logic state of its input. |
| | | L | L | |
| | | Open | Default | Default mode: When INx is open, the corresponding channel output goes to its default logic state. Default is <i>High</i> for ISO676x-Q1 and <i>Low</i> for ISO676x-Q1 with F suffix. |
| PD | PU | X | Default | Default mode: When V_{CC1} is unpowered, a channel output assumes the logic state based on the selected default option. Default is <i>High</i> for ISO676x-Q1 and <i>Low</i> for ISO676x-Q1 with F suffix. When V_{CC1} transitions from unpowered to powered-up, a channel output assumes the logic state of the input. When V_{CC1} transitions from powered-up to unpowered, channel output assumes the selected default state. |
| X | PD | X | Undetermined | When V_{CC0} is unpowered, a channel output is undetermined ⁽²⁾ . When V_{CC0} transitions from unpowered to powered-up, a channel output assumes the logic state of the input. |

- (1) V_{CC1} = Input-side V_{CC} ; V_{CC0} = Output-side V_{CC} ; PU = Powered up ($V_{CC} \geq 1.71$ V); PD = Powered down ($V_{CC} \leq 1.05$ V); X = Irrelevant; H = High level; L = Low level; Z = High Impedance
 (2) The outputs are in undetermined state when 1.05 V < V_{CC1} , $V_{CC0} < 1.71$ V and 1.89 V < V_{CC1} , $V_{CC0} < 2.25$ V
 (3) A strongly driven input signal can weakly power the floating V_{CC} through an internal protection diode and cause undetermined output

8.4.1 Device I/O Schematics

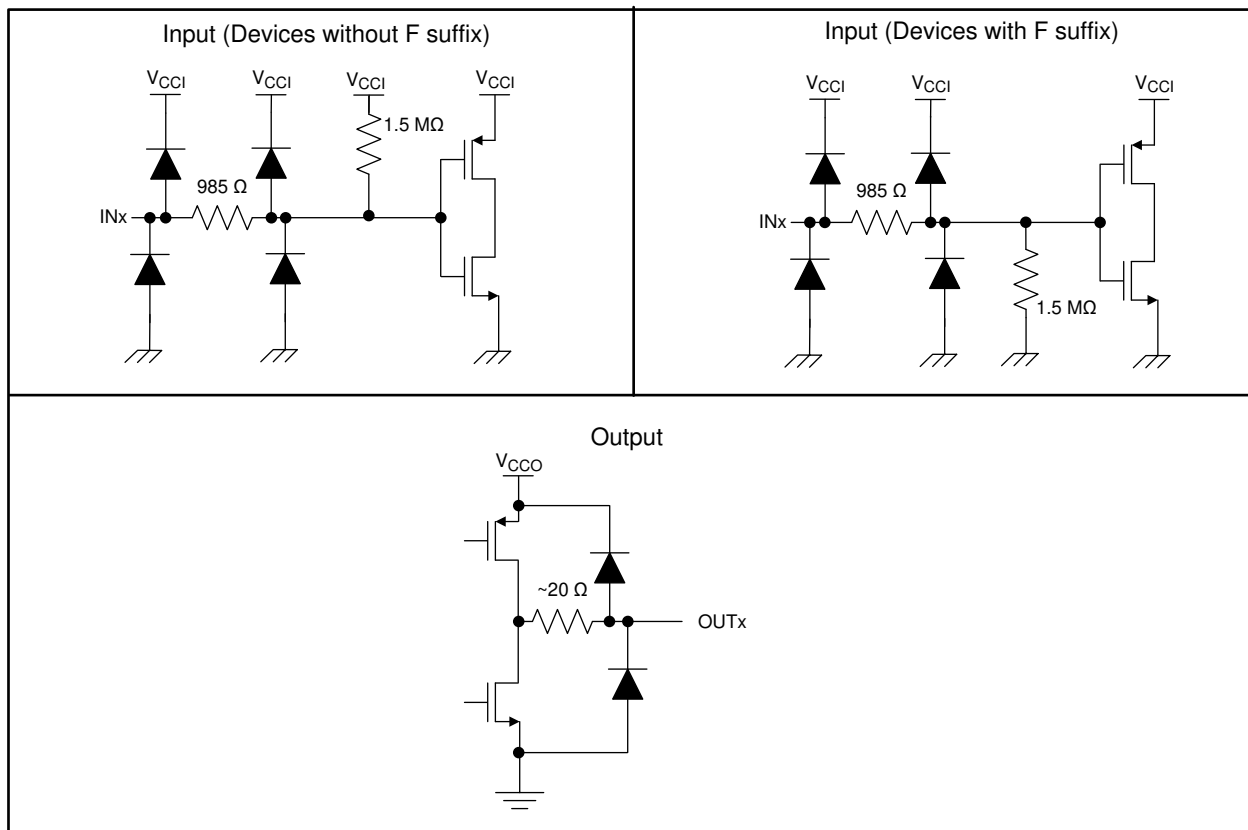


Figure 8-3. Device I/O Schematics

9 Application and Implementation

Note

Information in the following applications sections is not part of the TI component specification, and TI does not warrant its accuracy or completeness. TI's customers are responsible for determining suitability of components for their purposes. Customers should validate and test their design implementation to confirm system functionality.

9.1 Application Information

The ISO676x-Q1 devices are high-performance, six-channel digital isolators. The ISO676x-Q1 devices use single-ended CMOS-logic switching technology. The supply voltage range is from 1.71 V to 5.5 V for both supplies, V_{CC1} and V_{CC2} . Since an isolation barrier separates the two sides, each side can be sourced independently with any voltage within recommended operating conditions. As an example, it is possible to supply ISO676x-Q1 V_{CC1} with 3.3 V (which is within 1.71 V to 5.5 V) and V_{CC2} with 5V (which is also within 1.71 V to 5.5 V). You can use the digital isolator as a logic-level translator in addition to providing isolation. When designing with digital isolators, keep in mind that because of the single-ended design structure, digital isolators do not conform to any specific interface standard and are only intended for isolating single-ended CMOS or TTL digital signal lines. The isolator is typically placed between the data controller (that is, MCU or FPGA), and a data converter or a line transceiver, regardless of the interface type or standard.

9.2.1 Design Requirements

To design with these devices, use the parameters listed in [Table 9-1](#).

Table 9-1. Design Parameters

| PARAMETER | VALUE |
|---|--------------------------------------|
| Supply voltage, V_{CC1} and V_{CC2} | 1.71 V to 1.89 V and 2.25 V to 5.5 V |
| Decoupling capacitor between V_{CC1} and GND1 | 0.1 μ F |
| Decoupling capacitor from V_{CC2} and GND2 | 0.1 μ F |

9.2.2 Detailed Design Procedure

Unlike optocouplers, which require external components to improve performance, provide bias, or limit current, the ISO676x-Q1 family of devices only require two external bypass capacitors to operate.

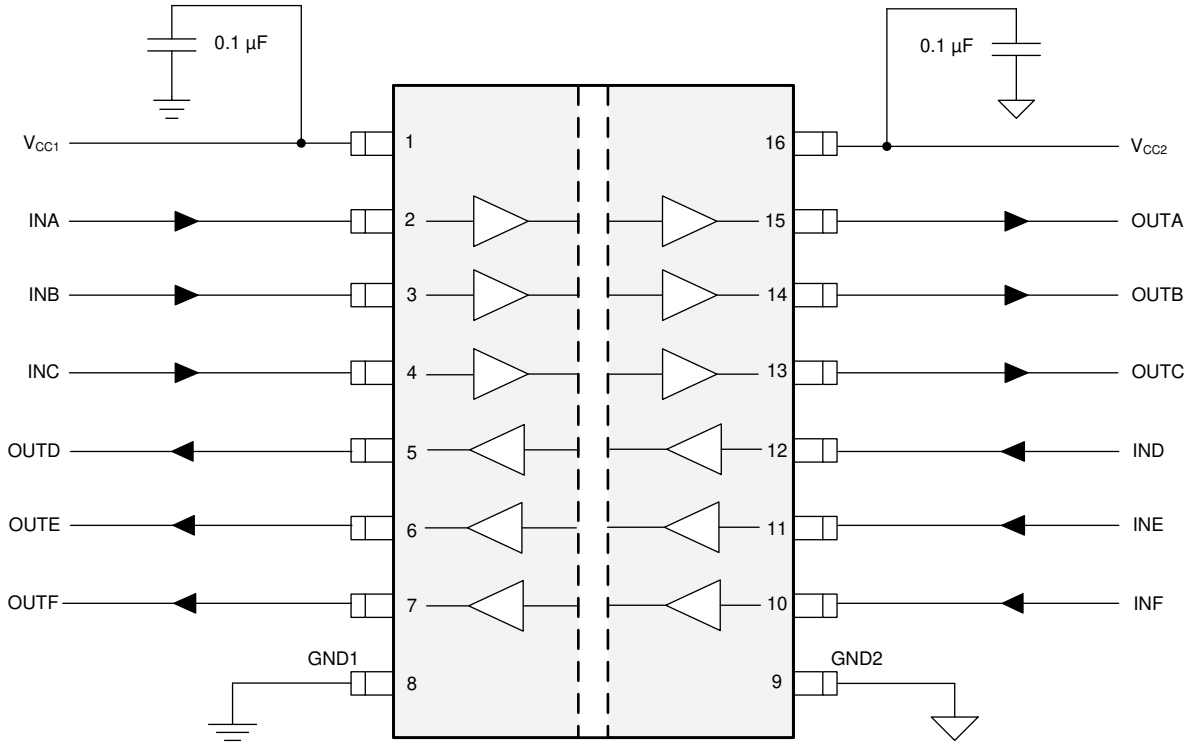


Figure 9-2. Typical ISO676x-Q1 Circuit Hook-up

9.2.3 Application Curve

The following typical eye diagrams of the ISO676x-Q1 family of devices indicates low jitter and wide open eye at the maximum data rate of 50 Mbps.

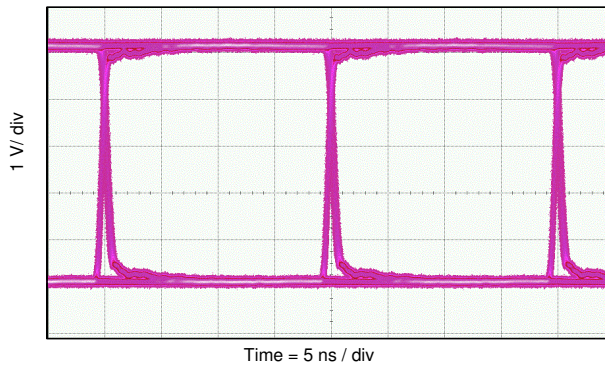


Figure 9-3. Eye Diagram at 50 Mbps PRBS 2¹⁶ – 1, 5 V and 25°C

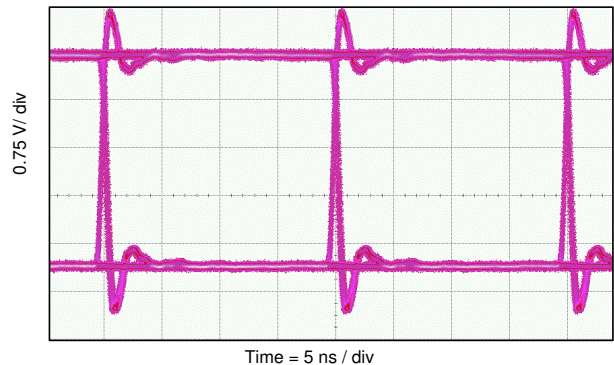


Figure 9-4. Eye Diagram at 50 Mbps PRBS 2¹⁶ – 1, 3.3 V and 25°C

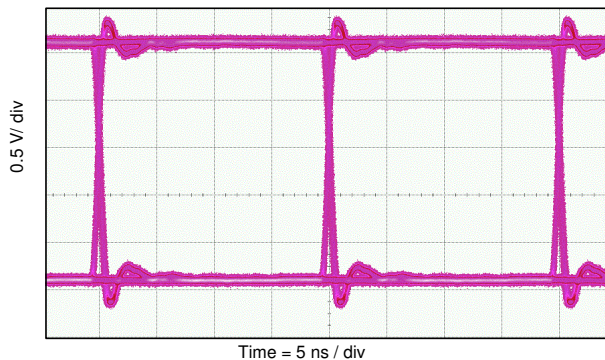


Figure 9-5. Eye Diagram at 50 Mbps PRBS 2¹⁶ – 1, 2.5 V and 25°C

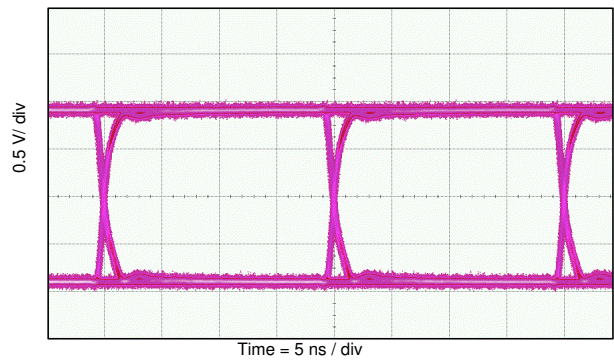


Figure 9-6. Eye Diagram at 50 Mbps PRBS 2¹⁶ – 1, 1.8 V and 25°C

9.2.3.1 Insulation Lifetime

Insulation lifetime projection data is collected by using industry-standard Time Dependent Dielectric Breakdown (TDDB) test method. In this test, all pins on each side of the barrier are tied together creating a two-terminal device and high voltage applied between the two sides; See [Figure 9-7](#) for TDDB test setup. The insulation breakdown data is collected at various high voltages switching at 60 Hz over temperature. For reinforced insulation, VDE standard requires the use of TDDB projection line with failure rate of less than 1 part per million (ppm). Even though the expected minimum insulation lifetime is 20 years at the specified working isolation voltage, VDE reinforced certification requires additional safety margin of 20% for working voltage and 50% for lifetime which translates into minimum required insulation lifetime of 30 years at a working voltage that's 20% higher than the specified value.

[Figure 9-8](#) shows the intrinsic capability of the isolation barrier to withstand high voltage stress over its lifetime. Based on the TDDB data, the intrinsic capability of the insulation is 1500 V_{RMS} with a lifetime of 36 years. Other factors, such as package size, pollution degree, material group, etc. can further limit the working voltage of the component. The working voltage of DW-16 package is specified upto 1500 V_{RMS}. At the lower working voltages, the corresponding insulation lifetime is much longer than 36 years.

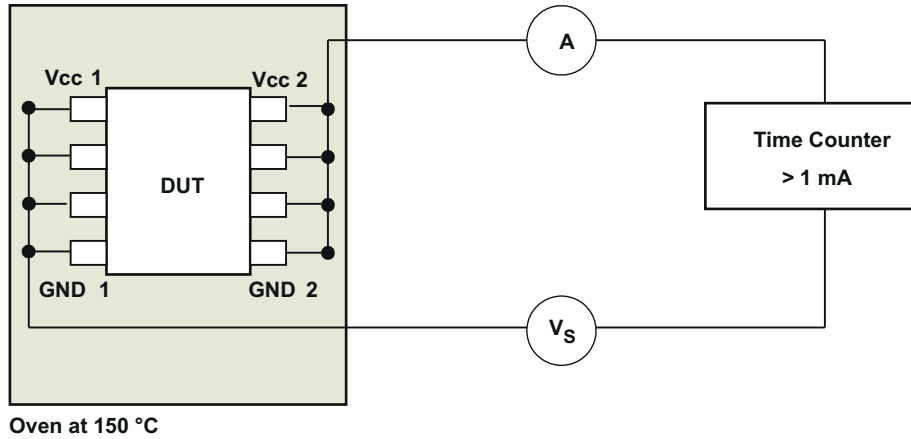


Figure 9-7. Test Setup for Insulation Lifetime Measurement

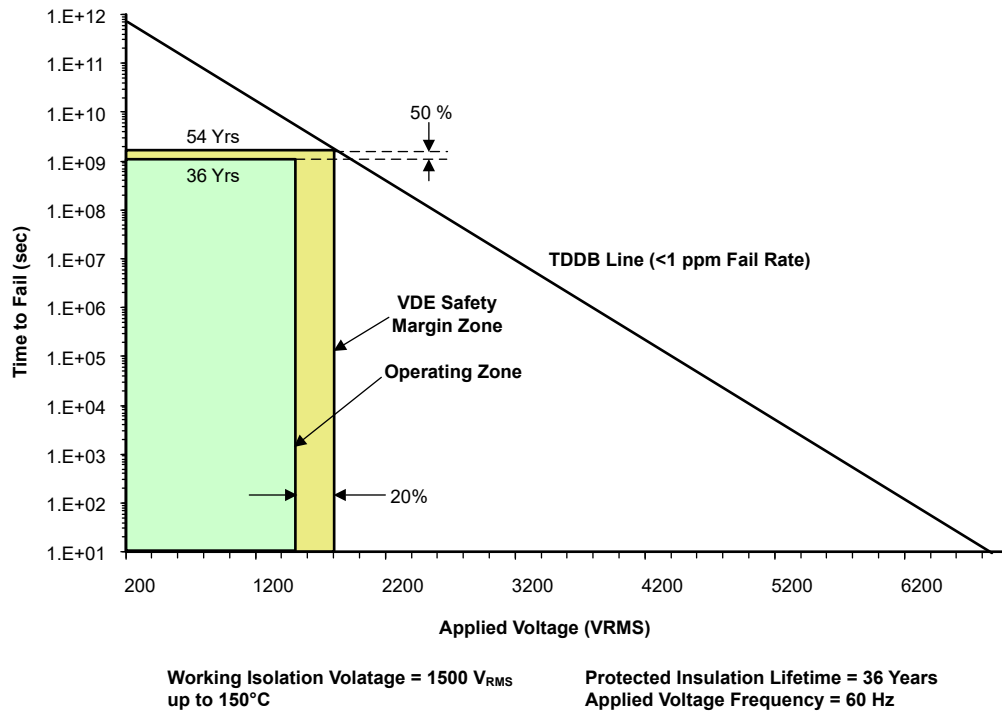


Figure 9-8. Insulation Lifetime Projection Data

10 Power Supply Recommendations

To help ensure reliable operation at data rates and supply voltages, a 0.1- μ F bypass capacitor is recommended at the input and output supply pins (V_{CC1} and V_{CC2}). The capacitors should be placed as close to the supply pins as possible. If only a single primary-side power supply is available in an application, isolated power can be generated for the secondary-side with the help of a transformer driver. For automotive applications, please use [SN6501-Q1](#) or [SN6505B-Q1](#). For such applications, detailed power supply design and transformer selection recommendations are available in [SN6501-Q1 Transformer Driver for Isolated Power Supplies](#) or [SN6505B-Q1 Automotive, low-noise, 1-A, 420-kHz transformer driver with soft start for isolated power supplies](#).

11 Layout

11.1 Layout Guidelines

A minimum of two layers is required to accomplish a low EMI PCB design. To further improve EMI, a four layer board can be used (see [Figure 11-2](#)). Layer stacking for a four layer board should be in the following order (top-to-bottom): high-speed signal layer, ground plane, power plane and low-frequency signal layer.

- Routing the high-speed traces on the top layer avoids the use of vias (and the introduction of their inductances) and allows for clean interconnects between the isolator and the transmitter and receiver circuits of the data link.
- Placing a solid ground plane next to the high-speed signal layer establishes controlled impedance for transmission line interconnects and provides an excellent low-inductance path for the return current flow.
- Placing the power plane next to the ground plane creates additional high-frequency bypass capacitance of approximately 100 pF/inch².
- Routing the slower speed control signals on the bottom layer allows for greater flexibility as these signal links usually have margin to tolerate discontinuities such as vias.

If an additional supply voltage plane or signal layer is needed, add a second power or ground plane system to the stack to keep it symmetrical. This makes the stack mechanically stable and prevents it from warping. Also the power and ground plane of each power system can be placed closer together, thus increasing the high-frequency bypass capacitance significantly.

For detailed layout recommendations, refer to the [Digital Isolator Design Guide](#).

11.1.1 PCB Material

For digital circuit boards operating below 150 Mbps, (or rise and fall times higher than 1 ns), and trace lengths of up to 10 inches, use standard FR-4 UL94V-0 printed circuit boards. This PCB is preferred over cheaper alternatives due to its lower dielectric losses at high frequencies, less moisture absorption, greater strength and stiffness, and self-extinguishing flammability-characteristics.

11.2 Layout Example

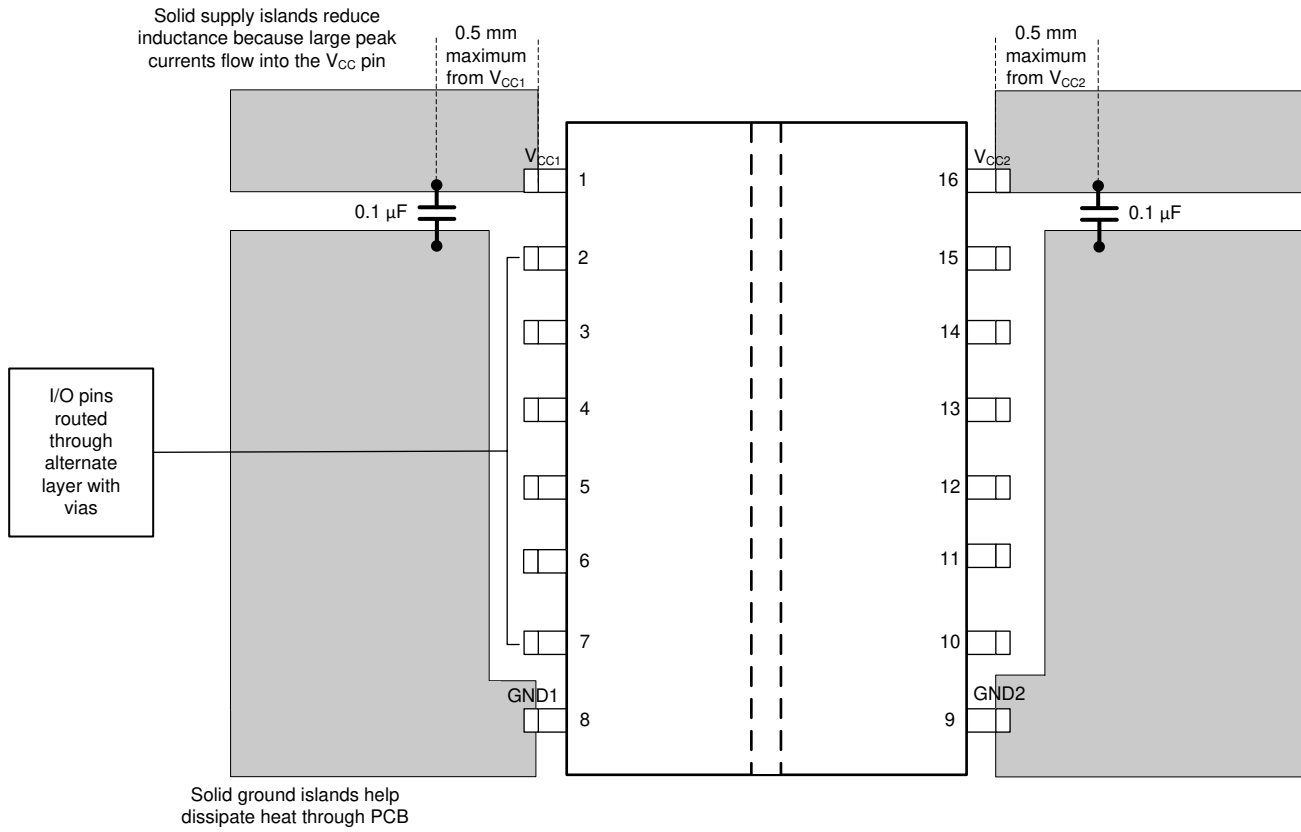


Figure 11-1. Layout Example

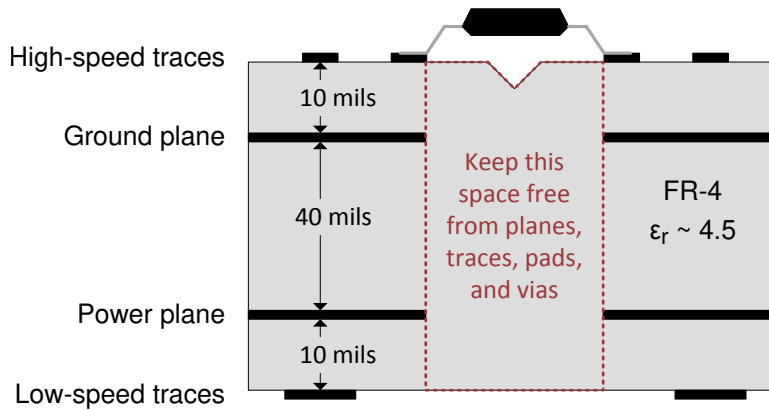


Figure 11-2. Four Layer Board Layout Example

12 Device and Documentation Support

12.1 Documentation Support

12.1.1 Related Documentation

For related documentation, see the following:

- Texas Instruments, [Digital Isolator Design Guide](#)
- Texas Instruments, [Digital Isolator Design Guide](#)
- Texas Instruments, [Isolation Glossary](#)
- Texas Instruments, [How to use isolation to improve ESD, EFT, and Surge immunity in industrial systems application report](#)
- Texas Instruments, [SN6505x-Q1 Low-Noise 1-A Transformer Drivers for Isolated Power Supplies](#)
- Texas Instruments, [TCAN1044-Q1 Automotive Fault-Protected CAN FD Transceiver](#)
- Texas Instruments, [TPS763xx-Q1 Low-Power, 150-mA, Low-Dropout Linear Regulators data sheet](#)
- Texas Instruments, [TMS320F2803x Piccolo™ Microcontrollers data sheet](#)

12.2 Receiving Notification of Documentation Updates

To receive notification of documentation updates, navigate to the device product folder on ti.com. In the upper right corner, click on *Alert me* to register and receive a weekly digest of any product information that has changed. For change details, review the revision history included in any revised document.

12.3 Support Resources

[TI E2E™ support forums](#) are an engineer's go-to source for fast, verified answers and design help — straight from the experts. Search existing answers or ask your own question to get the quick design help you need.

Linked content is provided "AS IS" by the respective contributors. They do not constitute TI specifications and do not necessarily reflect TI's views; see TI's [Terms of Use](#).

12.4 Trademarks

TI E2E™ is a trademark of Texas Instruments.
All trademarks are the property of their respective owners.

12.5 Electrostatic Discharge Caution



This integrated circuit can be damaged by ESD. Texas Instruments recommends that all integrated circuits be handled with appropriate precautions. Failure to observe proper handling and installation procedures can cause damage.

ESD damage can range from subtle performance degradation to complete device failure. Precision integrated circuits may be more susceptible to damage because very small parametric changes could cause the device not to meet its published specifications.

12.6 Glossary

[TI Glossary](#) This glossary lists and explains terms, acronyms, and definitions.

13 Mechanical, Packaging, and Orderable Information

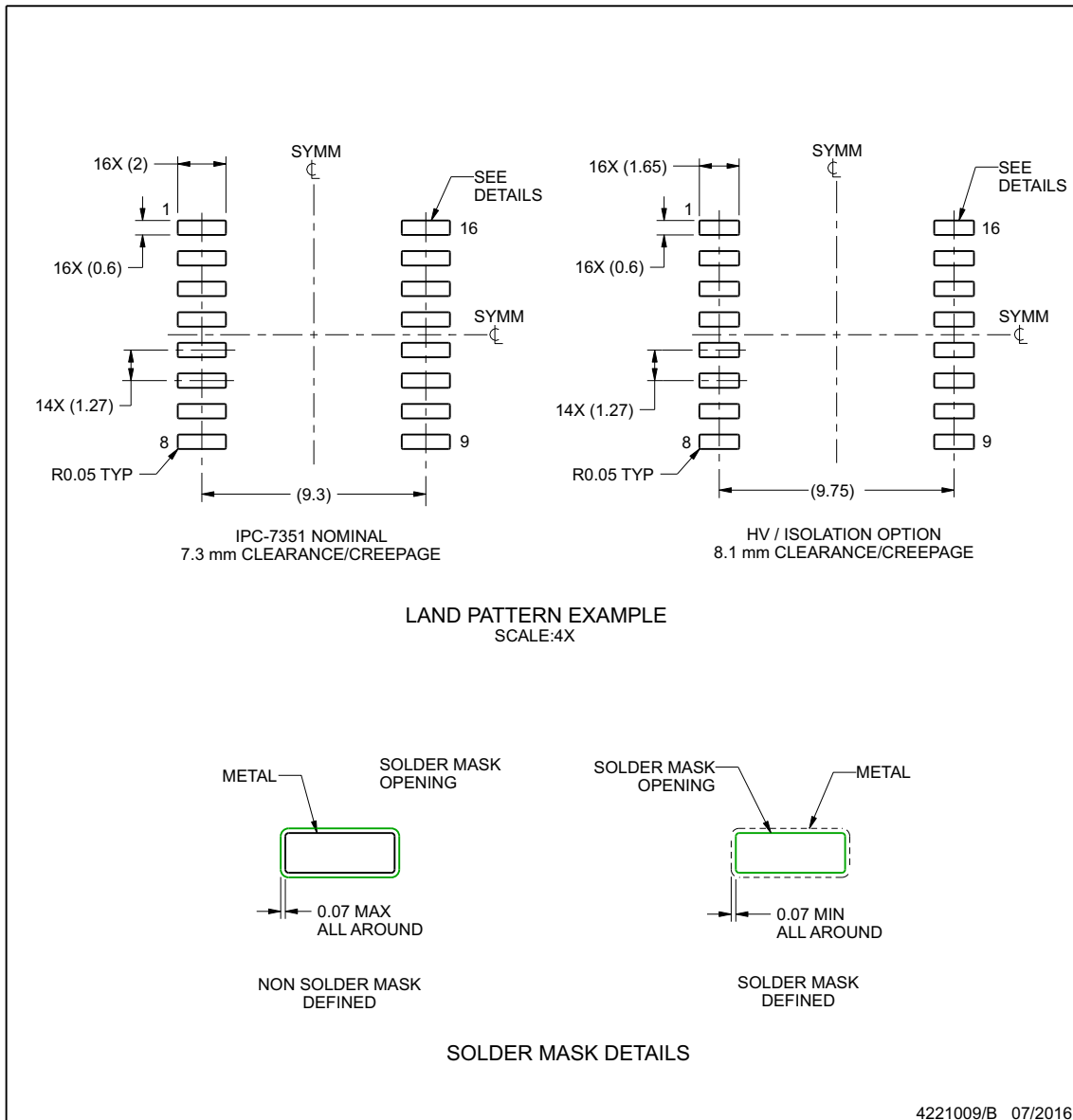
The following pages include mechanical packaging and orderable information. This information is the most current data available for the designated devices. This data is subject to change without notice and revision of this document. For browser-based versions of this data sheet, refer to the left-hand navigation.

EXAMPLE BOARD LAYOUT

DW0016B

SOIC - 2.65 mm max height

SOIC



NOTES: (continued)

6. Publication IPC-7351 may have alternate designs.
7. Solder mask tolerances between and around signal pads can vary based on board fabrication site.

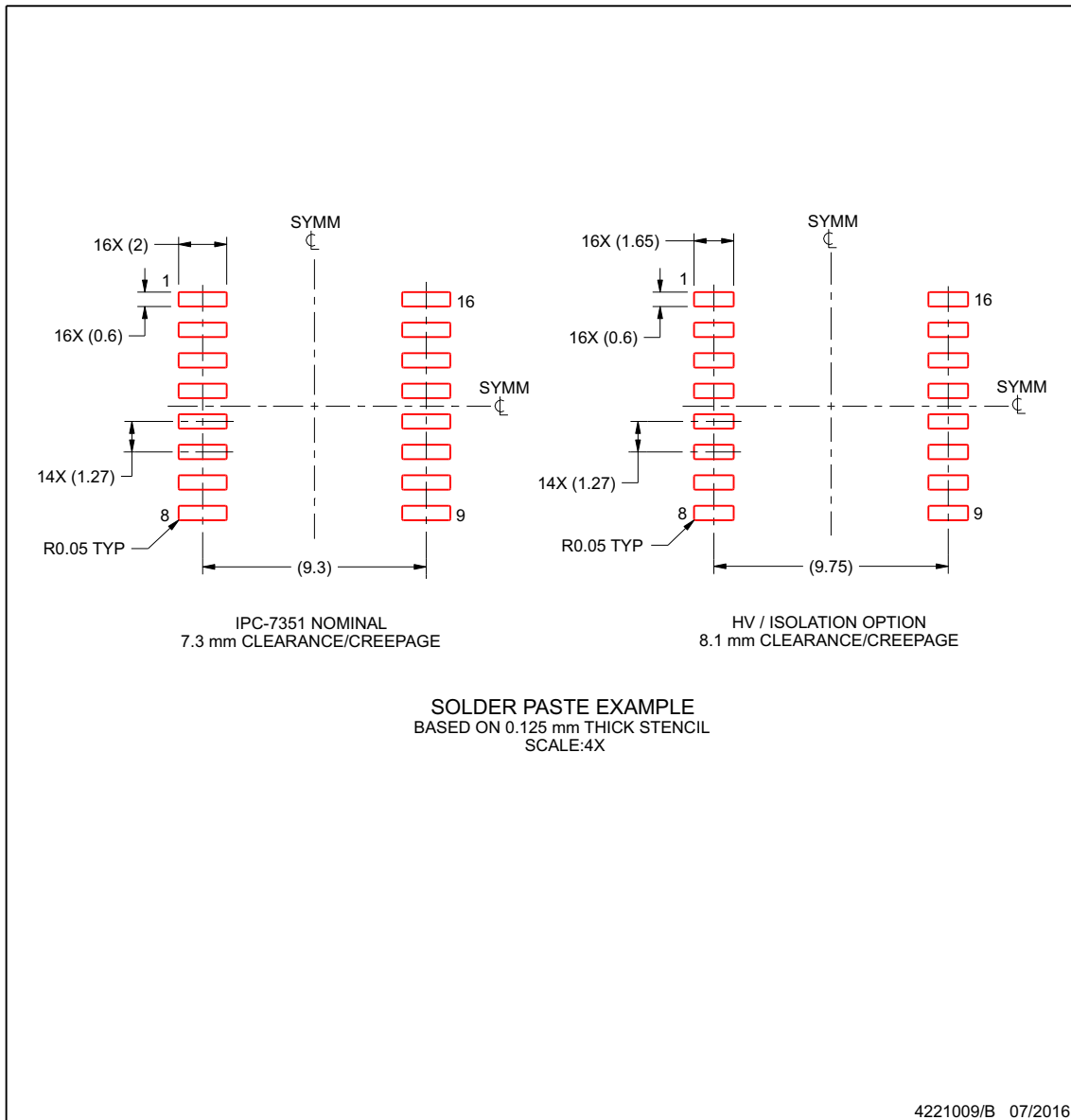
www.ti.com

EXAMPLE STENCIL DESIGN

DW0016B

SOIC - 2.65 mm max height

SOIC



NOTES: (continued)

- 8. Laser cutting apertures with trapezoidal walls and rounded corners may offer better paste release. IPC-7525 may have alternate design recommendations.
- 9. Board assembly site may have different recommendations for stencil design.

www.ti.com

PACKAGING INFORMATION

| Orderable Device | Status (1) | Package Type | Package Drawing | Pins | Package Qty | Eco Plan (2) | Lead finish/ Ball material (6) | MSL Peak Temp (3) | Op Temp (°C) | Device Marking (4/5) | Samples |
|------------------|---------------|--------------|-----------------|------|-------------|-----------------|--------------------------------------|----------------------|--------------|-------------------------|-------------------------|
| ISO6760FQDWRQ1 | ACTIVE | SOIC | DW | 16 | 2000 | RoHS & Green | NIPDAU | Level-2-260C-1 YEAR | -40 to 125 | ISO6760F | Samples |
| ISO6760QDWRQ1 | ACTIVE | SOIC | DW | 16 | 2000 | RoHS & Green | NIPDAU | Level-2-260C-1 YEAR | -40 to 125 | ISO6760 | Samples |
| ISO6761FQDWRQ1 | ACTIVE | SOIC | DW | 16 | 2000 | RoHS & Green | NIPDAU | Level-2-260C-1 YEAR | -40 to 125 | ISO6761F | Samples |
| ISO6761QDWRQ1 | ACTIVE | SOIC | DW | 16 | 2000 | RoHS & Green | NIPDAU | Level-2-260C-1 YEAR | -40 to 125 | ISO6761 | Samples |
| ISO6762FQDWRQ1 | ACTIVE | SOIC | DW | 16 | 2000 | RoHS & Green | NIPDAU | Level-2-260C-1 YEAR | -40 to 125 | ISO6762F | Samples |
| ISO6762QDWRQ1 | ACTIVE | SOIC | DW | 16 | 2000 | RoHS & Green | NIPDAU | Level-2-260C-1 YEAR | -40 to 125 | ISO6762 | Samples |
| ISO6763FQDWRQ1 | ACTIVE | SOIC | DW | 16 | 2000 | RoHS & Green | NIPDAU | Level-2-260C-1 YEAR | -40 to 125 | ISO6763F | Samples |
| ISO6763QDWRQ1 | ACTIVE | SOIC | DW | 16 | 2000 | RoHS & Green | NIPDAU | Level-2-260C-1 YEAR | -40 to 125 | ISO6763 | Samples |

(1) The marketing status values are defined as follows:

ACTIVE: Product device recommended for new designs.

LIFEBUY: TI has announced that the device will be discontinued, and a lifetime-buy period is in effect.

NRND: Not recommended for new designs. Device is in production to support existing customers, but TI does not recommend using this part in a new design.

PREVIEW: Device has been announced but is not in production. Samples may or may not be available.

OBSELETE: TI has discontinued the production of the device.

(2) **RoHS:** TI defines "RoHS" to mean semiconductor products that are compliant with the current EU RoHS requirements for all 10 RoHS substances, including the requirement that RoHS substance do not exceed 0.1% by weight in homogeneous materials. Where designed to be soldered at high temperatures, "RoHS" products are suitable for use in specified lead-free processes. TI may reference these types of products as "Pb-Free".

RoHS Exempt: TI defines "RoHS Exempt" to mean products that contain lead but are compliant with EU RoHS pursuant to a specific EU RoHS exemption.

Green: TI defines "Green" to mean the content of Chlorine (Cl) and Bromine (Br) based flame retardants meet JS709B low halogen requirements of <=1000ppm threshold. Antimony trioxide based flame retardants must also meet the <=1000ppm threshold requirement.

(3) MSL, Peak Temp. - The Moisture Sensitivity Level rating according to the JEDEC industry standard classifications, and peak solder temperature.

(4) There may be additional marking, which relates to the logo, the lot trace code information, or the environmental category on the device.

(5) Multiple Device Markings will be inside parentheses. Only one Device Marking contained in parentheses and separated by a "~" will appear on a device. If a line is indented then it is a continuation of the previous line and the two combined represent the entire Device Marking for that device.

⁽⁶⁾ Lead finish/Ball material - Orderable Devices may have multiple material finish options. Finish options are separated by a vertical ruled line. Lead finish/Ball material values may wrap to two lines if the finish value exceeds the maximum column width.

Important Information and Disclaimer:The information provided on this page represents TI's knowledge and belief as of the date that it is provided. TI bases its knowledge and belief on information provided by third parties, and makes no representation or warranty as to the accuracy of such information. Efforts are underway to better integrate information from third parties. TI has taken and continues to take reasonable steps to provide representative and accurate information but may not have conducted destructive testing or chemical analysis on incoming materials and chemicals. TI and TI suppliers consider certain information to be proprietary, and thus CAS numbers and other limited information may not be available for release.

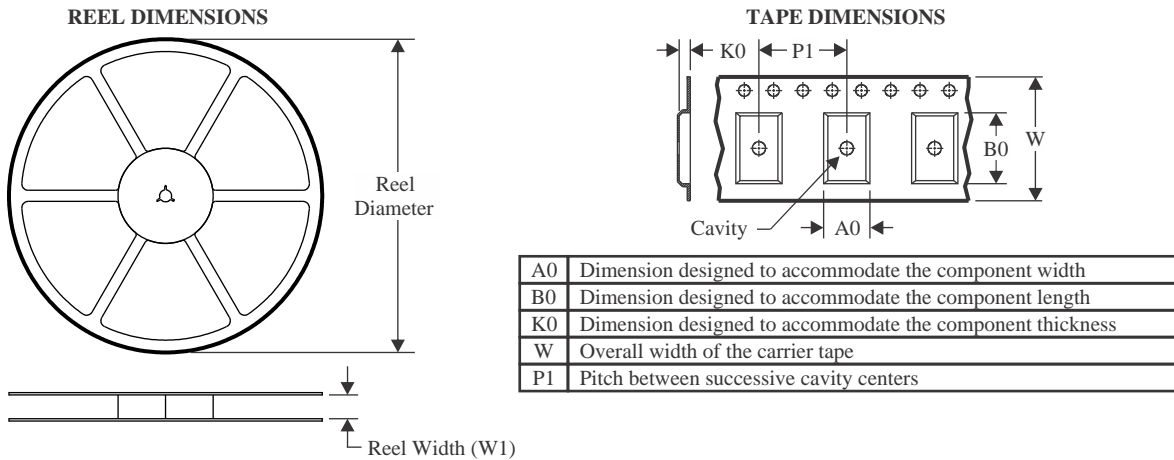
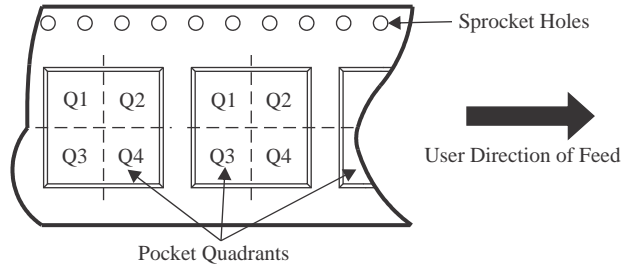
In no event shall TI's liability arising out of such information exceed the total purchase price of the TI part(s) at issue in this document sold by TI to Customer on an annual basis.

OTHER QUALIFIED VERSIONS OF ISO6760-Q1, ISO6761-Q1, ISO6762-Q1, ISO6763-Q1 :

- Catalog : [ISO6760](#), [ISO6761](#), [ISO6762](#), [ISO6763](#)

NOTE: Qualified Version Definitions:

- Catalog - TI's standard catalog product

TAPE AND REEL INFORMATION

QUADRANT ASSIGNMENTS FOR PIN 1 ORIENTATION IN TAPE


*All dimensions are nominal

| Device | Package Type | Package Drawing | Pins | SPQ | Reel Diameter (mm) | Reel Width W1 (mm) | A0 (mm) | B0 (mm) | K0 (mm) | P1 (mm) | W (mm) | Pin1 Quadrant |
|----------------|--------------|-----------------|------|------|--------------------|--------------------|---------|---------|---------|---------|--------|---------------|
| ISO6760FQDWRQ1 | SOIC | DW | 16 | 2000 | 330.0 | 16.4 | 10.75 | 10.7 | 2.7 | 12.0 | 16.0 | Q1 |
| ISO6760FQDWRQ1 | SOIC | DW | 16 | 2000 | 330.0 | 16.4 | 10.75 | 10.7 | 2.7 | 12.0 | 16.0 | Q1 |
| ISO6760FQDWRQ1 | SOIC | DW | 16 | 2000 | 330.0 | 16.4 | 10.75 | 10.7 | 2.7 | 12.0 | 16.0 | Q1 |
| ISO6760QDWRQ1 | SOIC | DW | 16 | 2000 | 330.0 | 16.4 | 10.75 | 10.7 | 2.7 | 12.0 | 16.0 | Q1 |
| ISO6760QDWRQ1 | SOIC | DW | 16 | 2000 | 330.0 | 16.4 | 10.75 | 10.7 | 2.7 | 12.0 | 16.0 | Q1 |
| ISO6760QDWRQ1 | SOIC | DW | 16 | 2000 | 330.0 | 16.4 | 10.75 | 10.7 | 2.7 | 12.0 | 16.0 | Q1 |
| ISO6760QDWRQ1 | SOIC | DW | 16 | 2000 | 330.0 | 16.4 | 10.75 | 10.7 | 2.7 | 12.0 | 16.0 | Q1 |
| ISO6761FQDWRQ1 | SOIC | DW | 16 | 2000 | 330.0 | 16.4 | 10.75 | 10.7 | 2.7 | 12.0 | 16.0 | Q1 |
| ISO6761FQDWRQ1 | SOIC | DW | 16 | 2000 | 330.0 | 16.4 | 10.75 | 10.7 | 2.7 | 12.0 | 16.0 | Q1 |
| ISO6761QDWRQ1 | SOIC | DW | 16 | 2000 | 330.0 | 16.4 | 10.75 | 10.7 | 2.7 | 12.0 | 16.0 | Q1 |
| ISO6761QDWRQ1 | SOIC | DW | 16 | 2000 | 330.0 | 16.4 | 10.75 | 10.7 | 2.7 | 12.0 | 16.0 | Q1 |
| ISO6761QDWRQ1 | SOIC | DW | 16 | 2000 | 330.0 | 16.4 | 10.75 | 10.7 | 2.7 | 12.0 | 16.0 | Q1 |
| ISO6762FQDWRQ1 | SOIC | DW | 16 | 2000 | 330.0 | 16.4 | 10.75 | 10.7 | 2.7 | 12.0 | 16.0 | Q1 |
| ISO6762FQDWRQ1 | SOIC | DW | 16 | 2000 | 330.0 | 16.4 | 10.75 | 10.7 | 2.7 | 12.0 | 16.0 | Q1 |
| ISO6762QDWRQ1 | SOIC | DW | 16 | 2000 | 330.0 | 16.4 | 10.75 | 10.7 | 2.7 | 12.0 | 16.0 | Q1 |
| ISO6762QDWRQ1 | SOIC | DW | 16 | 2000 | 330.0 | 16.4 | 10.75 | 10.7 | 2.7 | 12.0 | 16.0 | Q1 |
| ISO6763FQDWRQ1 | SOIC | DW | 16 | 2000 | 330.0 | 16.4 | 10.75 | 10.7 | 2.7 | 12.0 | 16.0 | Q1 |
| ISO6763QDWRQ1 | SOIC | DW | 16 | 2000 | 330.0 | 16.4 | 10.75 | 10.7 | 2.7 | 12.0 | 16.0 | Q1 |
| ISO6763QDWRQ1 | SOIC | DW | 16 | 2000 | 330.0 | 16.4 | 10.75 | 10.7 | 2.7 | 12.0 | 16.0 | Q1 |

TAPE AND REEL BOX DIMENSIONS



*All dimensions are nominal

| Device | Package Type | Package Drawing | Pins | SPQ | Length (mm) | Width (mm) | Height (mm) |
|----------------|--------------|-----------------|------|------|-------------|------------|-------------|
| ISO6760FQDWRQ1 | SOIC | DW | 16 | 2000 | 353.0 | 353.0 | 32.0 |
| ISO6760FQDWRQ1 | SOIC | DW | 16 | 2000 | 356.0 | 356.0 | 35.0 |
| ISO6760FQDWRQ1 | SOIC | DW | 16 | 2000 | 356.0 | 356.0 | 35.0 |
| ISO6760QDWRQ1 | SOIC | DW | 16 | 2000 | 353.0 | 353.0 | 32.0 |
| ISO6760QDWRQ1 | SOIC | DW | 16 | 2000 | 353.0 | 353.0 | 32.0 |
| ISO6760QDWRQ1 | SOIC | DW | 16 | 2000 | 356.0 | 356.0 | 35.0 |
| ISO6761FQDWRQ1 | SOIC | DW | 16 | 2000 | 353.0 | 353.0 | 32.0 |
| ISO6761FQDWRQ1 | SOIC | DW | 16 | 2000 | 353.0 | 353.0 | 32.0 |
| ISO6761QDWRQ1 | SOIC | DW | 16 | 2000 | 356.0 | 356.0 | 35.0 |
| ISO6761QDWRQ1 | SOIC | DW | 16 | 2000 | 353.0 | 353.0 | 32.0 |
| ISO6762FQDWRQ1 | SOIC | DW | 16 | 2000 | 353.0 | 353.0 | 32.0 |
| ISO6762FQDWRQ1 | SOIC | DW | 16 | 2000 | 353.0 | 353.0 | 32.0 |
| ISO6762QDWRQ1 | SOIC | DW | 16 | 2000 | 353.0 | 353.0 | 32.0 |
| ISO6763FQDWRQ1 | SOIC | DW | 16 | 2000 | 353.0 | 353.0 | 32.0 |
| ISO6763QDWRQ1 | SOIC | DW | 16 | 2000 | 356.0 | 356.0 | 35.0 |
| ISO6763QDWRQ1 | SOIC | DW | 16 | 2000 | 353.0 | 353.0 | 32.0 |

GENERIC PACKAGE VIEW

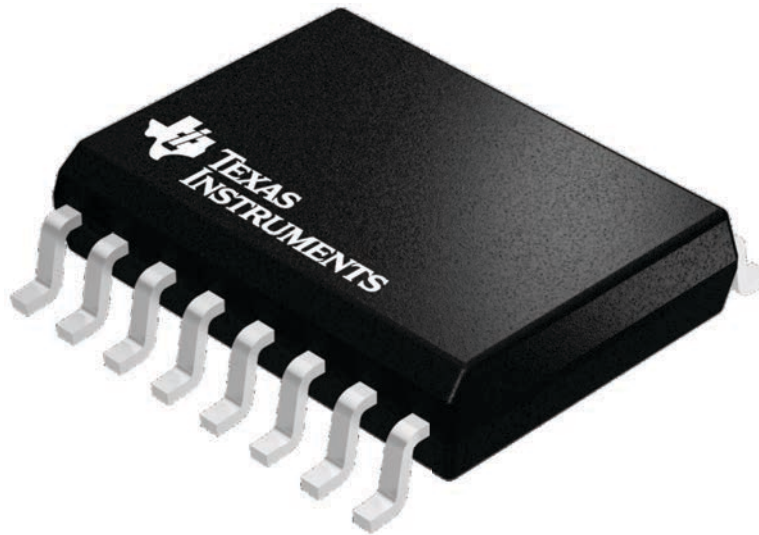
DW 16

SOIC - 2.65 mm max height

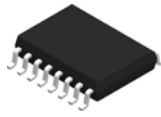
7.5 x 10.3, 1.27 mm pitch

SMALL OUTLINE INTEGRATED CIRCUIT

This image is a representation of the package family, actual package may vary.
Refer to the product data sheet for package details.



4224780/A

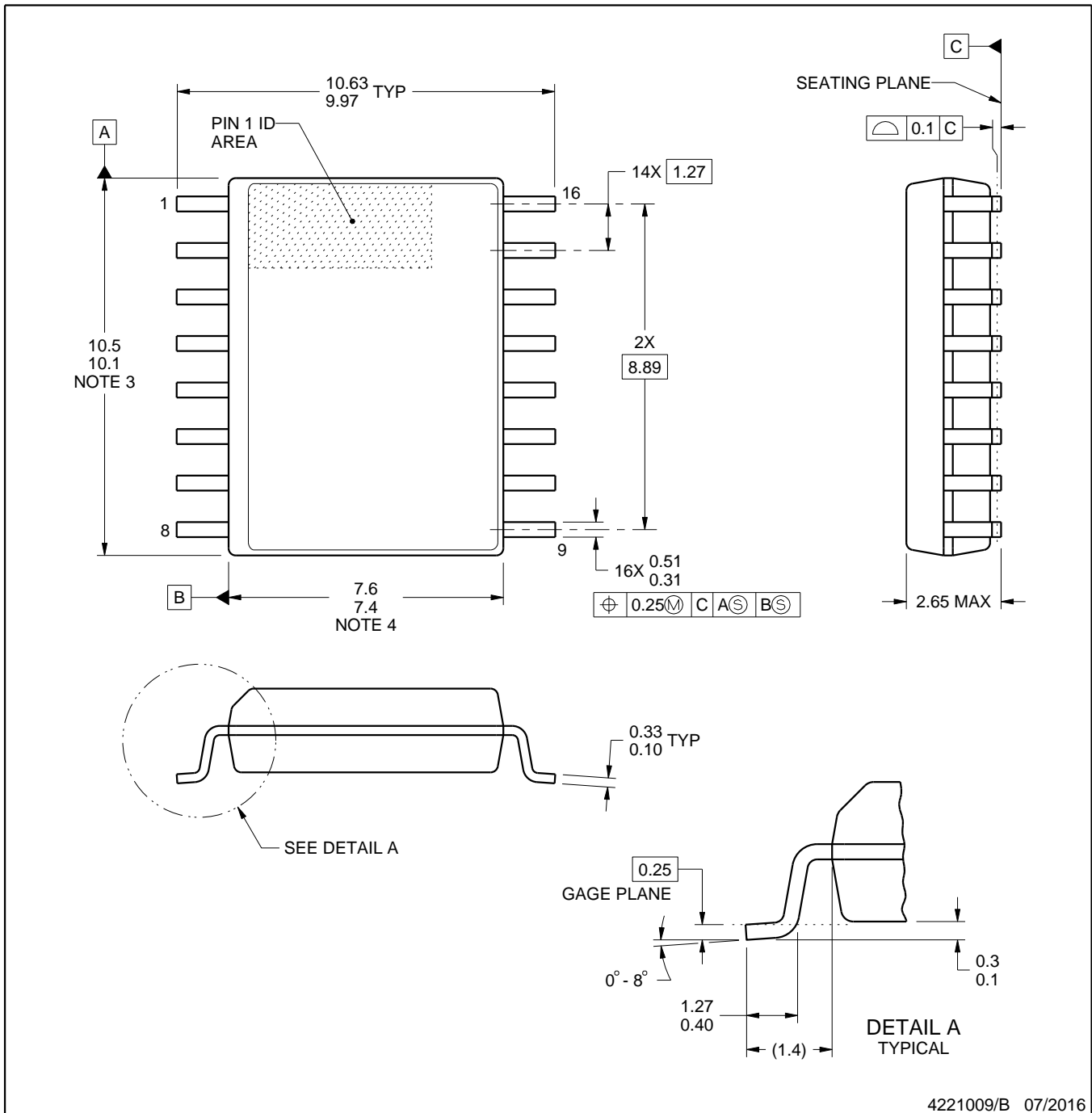


DW0016B

PACKAGE OUTLINE

SOIC - 2.65 mm max height

SOIC



4221009/B 07/2016

NOTES:

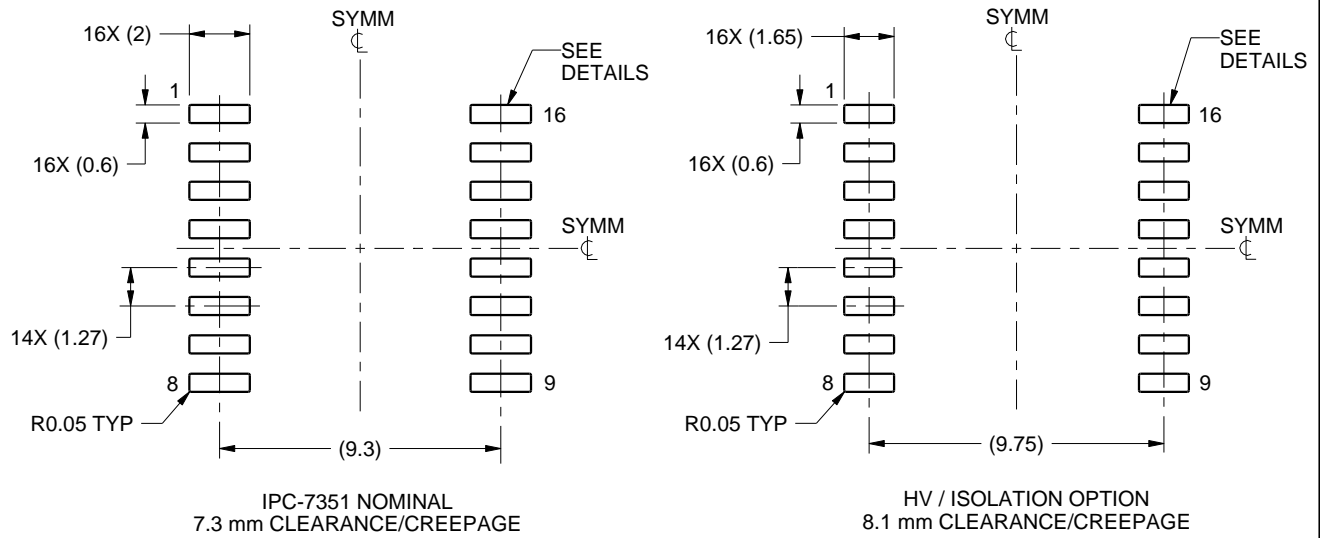
1. All linear dimensions are in millimeters. Dimensions in parenthesis are for reference only. Dimensioning and tolerancing per ASME Y14.5M.
2. This drawing is subject to change without notice.
3. This dimension does not include mold flash, protrusions, or gate burrs. Mold flash, protrusions, or gate burrs shall not exceed 0.15 mm, per side.
4. This dimension does not include interlead flash. Interlead flash shall not exceed 0.25 mm, per side.
5. Reference JEDEC registration MS-013.

EXAMPLE BOARD LAYOUT

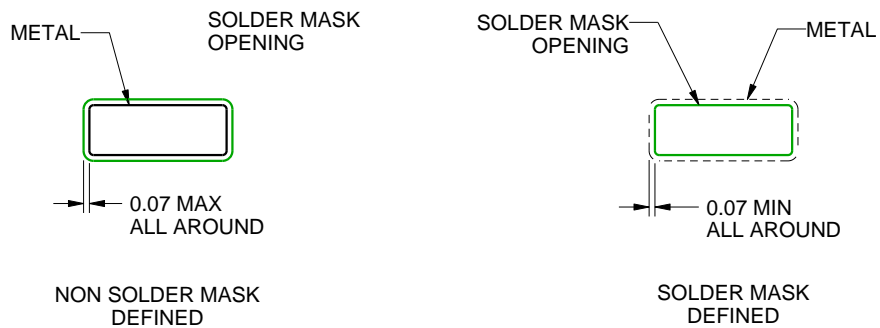
DW0016B

SOIC - 2.65 mm max height

SOIC



LAND PATTERN EXAMPLE
SCALE:4X



SOLDER MASK DETAILS

4221009/B 07/2016

NOTES: (continued)

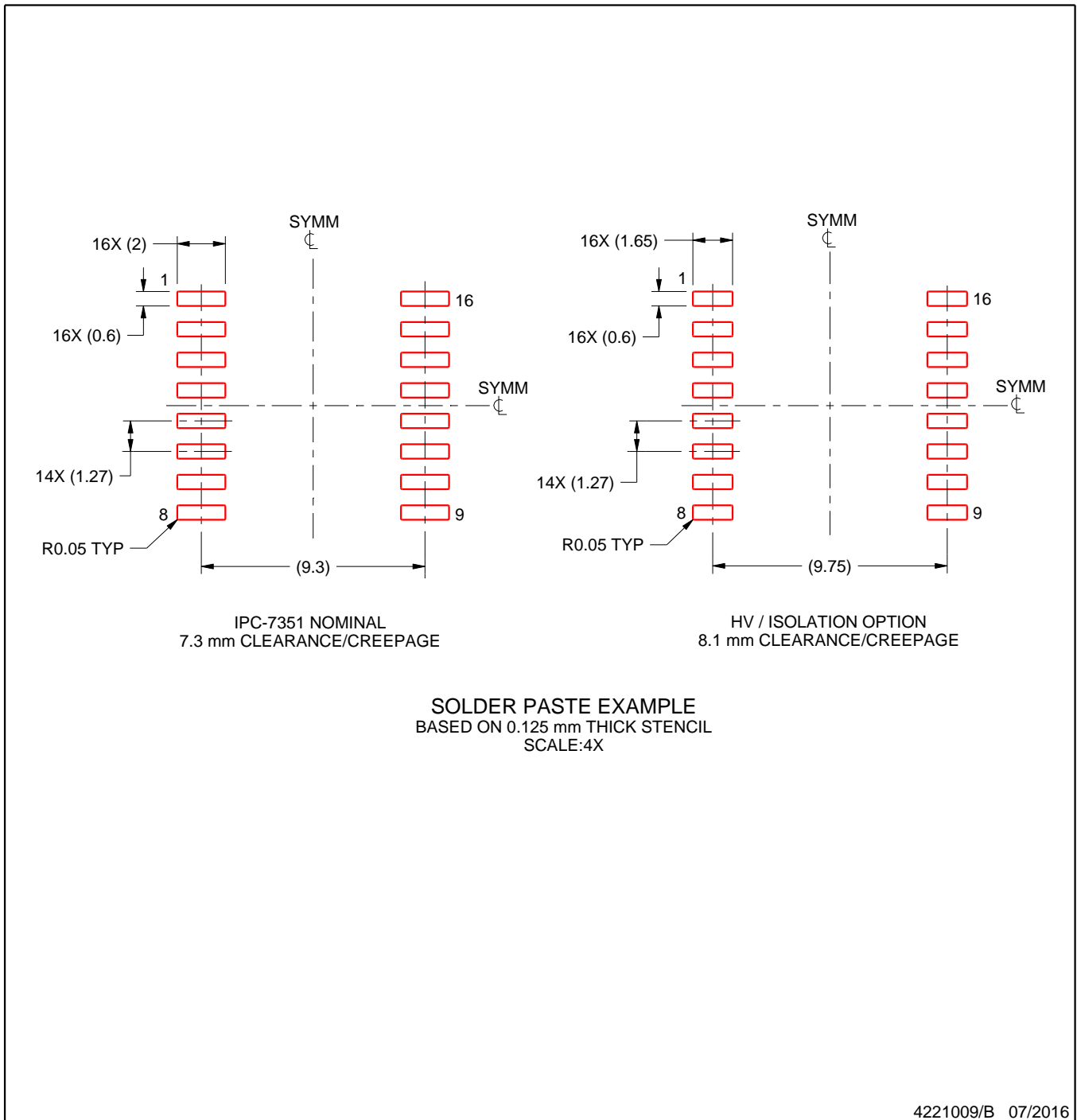
- 6. Publication IPC-7351 may have alternate designs.
- 7. Solder mask tolerances between and around signal pads can vary based on board fabrication site.

EXAMPLE STENCIL DESIGN

DW0016B

SOIC - 2.65 mm max height

SOIC



NOTES: (continued)

8. Laser cutting apertures with trapezoidal walls and rounded corners may offer better paste release. IPC-7525 may have alternate design recommendations.
9. Board assembly site may have different recommendations for stencil design.

IMPORTANT NOTICE AND DISCLAIMER

TI PROVIDES TECHNICAL AND RELIABILITY DATA (INCLUDING DATA SHEETS), DESIGN RESOURCES (INCLUDING REFERENCE DESIGNS), APPLICATION OR OTHER DESIGN ADVICE, WEB TOOLS, SAFETY INFORMATION, AND OTHER RESOURCES "AS IS" AND WITH ALL FAULTS, AND DISCLAIMS ALL WARRANTIES, EXPRESS AND IMPLIED, INCLUDING WITHOUT LIMITATION ANY IMPLIED WARRANTIES OF MERCHANTABILITY, FITNESS FOR A PARTICULAR PURPOSE OR NON-INFRINGEMENT OF THIRD PARTY INTELLECTUAL PROPERTY RIGHTS.

These resources are intended for skilled developers designing with TI products. You are solely responsible for (1) selecting the appropriate TI products for your application, (2) designing, validating and testing your application, and (3) ensuring your application meets applicable standards, and any other safety, security, regulatory or other requirements.

These resources are subject to change without notice. TI grants you permission to use these resources only for development of an application that uses the TI products described in the resource. Other reproduction and display of these resources is prohibited. No license is granted to any other TI intellectual property right or to any third party intellectual property right. TI disclaims responsibility for, and you will fully indemnify TI and its representatives against, any claims, damages, costs, losses, and liabilities arising out of your use of these resources.

TI's products are provided subject to [TI's Terms of Sale](#) or other applicable terms available either on [ti.com](https://www.ti.com) or provided in conjunction with such TI products. TI's provision of these resources does not expand or otherwise alter TI's applicable warranties or warranty disclaimers for TI products.

TI objects to and rejects any additional or different terms you may have proposed.

Mailing Address: Texas Instruments, Post Office Box 655303, Dallas, Texas 75265
Copyright © 2024, Texas Instruments Incorporated

Looking for pricing, stock, or lifecycle information?

Click below to explore more details on WIN SOURCE:

 [View ISO6761FQDWRQ1](#) on WIN SOURCE

 [Texas Instruments](#) Information

Optimize Your Supply Chain with WIN SOURCE Solutions

-  Global Sourcing Solution
-  Obsolete Management
-  Cost Control Management
-  Shortage Management
-  Alternative Solution
-  Excess Inventory Management