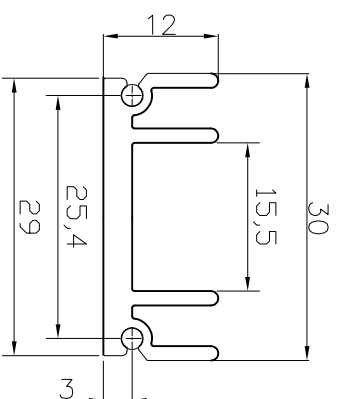
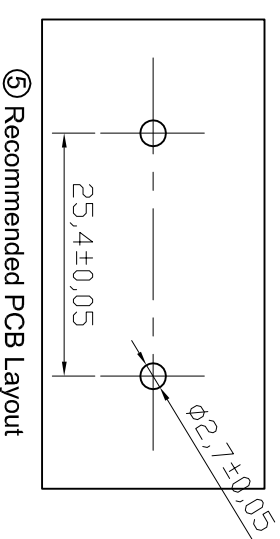
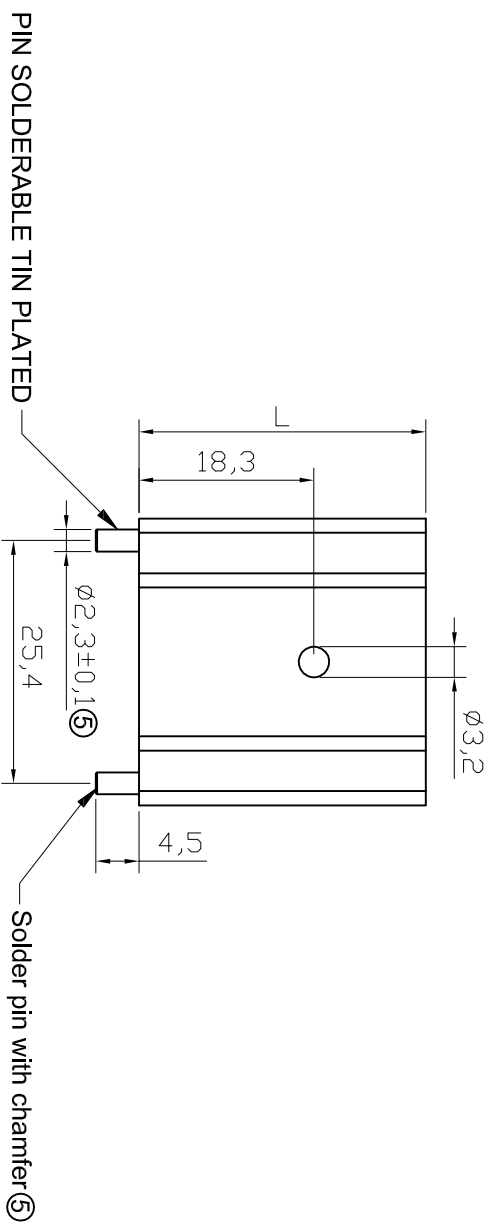




THE DATASHEET OF V6560W





Material: AL 6063 T5
Finish: Black anodize

P/N	L	Thermal resistance(K/W)
V/6560W	25MM	10
V/6560X	37.5MM	8
V/6560Y	50MM	7
V/6560W3	20MM	
V/6560X2	35MM	
V/6560W5	21MM	

ROHS compliant
Unit: mm

Scale	Free					
TOLERANCE						
X.	±X	⑤	Add PCB layout information	24.02.2014	Amy	Drawn
X.X	±X	④	Change production plant	07.06.2013	Amy	Approved
UNIT	±0.2	③	Modify drawing layout	10.03.2010	Alex	24.02.2014
DIM	Tol	②	Update	11.08.2009	Dean	
X.°	±X°	①	Drawn	17.11.2005	Storb	
X.X°	±X°					
Angle	TOL	Id.	Modification	Date	Name	

ASSMANN
components

Customer-No.	Name	Date
ASSMANN WSW-No.	Storb	17.11.2005
	Dean	11.08.2009
	Alex	10.03.2010
	Amy	07.06.2013
	Amy	24.02.2014

Drawing-No. **ASS 0595 HS** rev05



Replace **V6560X** Sheet

1 2 3 4 5 6 7

A							
B							
C							
D							
E							
F							
G							
H							

Looking for pricing, stock, or lifecycle information?

Click below to explore more details on WIN SOURCE:

-  [View V6560W on WIN SOURCE](#)
-  [Assmann WSW Components](#) Information

Optimize Your Supply Chain with WIN SOURCE Solutions

-  Global Sourcing Solution
-  Obsolete Management
-  Cost Control Management
-  Shortage Management
-  Alternative Solution
-  Excess Inventory Management