



**THE DATASHEET OF
UAT52A05L02**



DATA SHEET

**ELECTROSTATIC DISCHARGE
PROTECTION DEVICES**

INDUSTRIAL / CONSUMER

UAT52A05L02

RoHS compliant & Halogen free



Product specification—July 04, 2023 V.2



Electrostatic Discharged Protection Devices (ESD) Data Sheet

Description

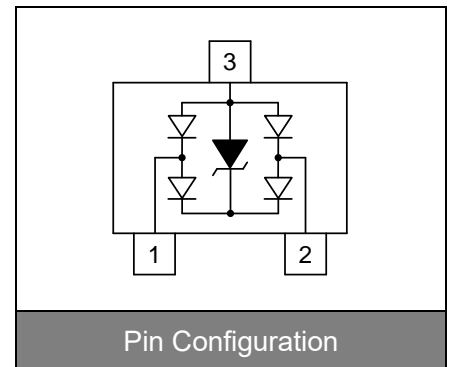
This is ultra low capacitance TVS arrays designed to protect high speed data interfaces. It has been specifically designed to protect sensitive components which is connected to high-speed data and transmission lines from overvoltage caused by electrostatic (ESD), cable discharge events (CDE) and electrical fast transients (EFT).



Contact : ±8kV
Air : ±15kV

Features

- IEC61000-4-2 ESD 15KV Air, 8KV contact compliance
- SOT-523 surface mount package
- Protects two high speed data lines
- Working voltage: 5V
- Ultra low capacitance and clamping voltages
- Low leakage current
- Solid-state silicon avalanche technology
- Lead Free/RoHS compliant
- Solder reflow temperature: Pure Tin-Sn, 260~270°C
- Flammability rating UL 94V-0
- Meets MSL level 1, per J-STD-020
- Marking: B L5



Applications

- HDMI interface protection
- Mobile display digital interface
- RF/Antenna circuits
- USB 2.0 & Firewire ports
- GaAs photodetector protection
- HBT power Amp protection
- Infiniband transceiver protection

Maximum Ratings

| Rating | Symbol | Value | Unit |
|---------------------------------------|-----------------------------------|----------|------|
| ESD voltage (Contact discharge) | V _{ESD} | ±8 | kV |
| ESD voltage (Air discharge) | | ±15 | |
| Storage & operating temperature range | T _{STG} , T _J | -55~+150 | °C |

Electrical Characteristics (T_J=25°C)

| Parameter | Symbol | Condition | Min. | Typ. | Max. | Unit |
|--------------------------------|------------------|--|------|------|------|------|
| Reverse stand-off voltage | V _{RWM} | | | | 5 | V |
| Reverse breakdown voltage | V _{BR} | I _{BR} =1mA | 6 | | | V |
| Reverse leakage current | I _R | V _R =5V Each I/O pin | | | 0.5 | μA |
| Clamping voltage (tp=8/20μs) | V _C | I _{PP} =1A | | | 9.8 | V |
| Clamping voltage (tp=8/20μs) | V _C | I _{PP} =3A | | | 15 | V |
| Peak pulse current (tp=8/20μs) | I _{PP} | | | | 3 | A |
| Off state junction capacitance | C _J | 0Vdc, f=1MHz Between I/O pins and GND | | 0.8 | | pF |
| Off state junction capacitance | C _J | 0Vdc, f=1MHz Between I/O pins | | 0.4 | | pF |

Typical Characteristics Curves

Figure 1. Pulse Waveforms

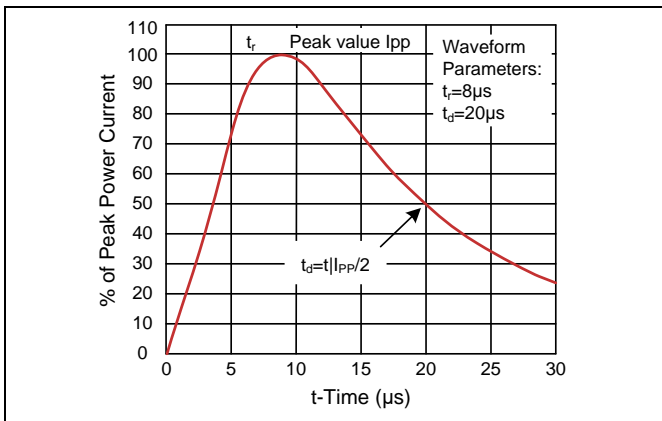


Figure 2. Capacitance vs. Reverse Voltage

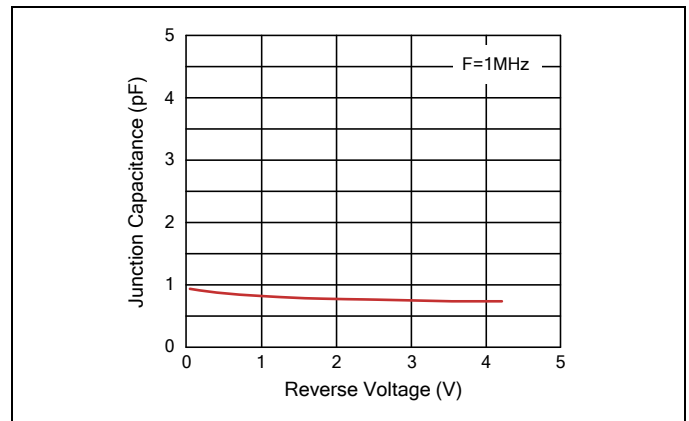
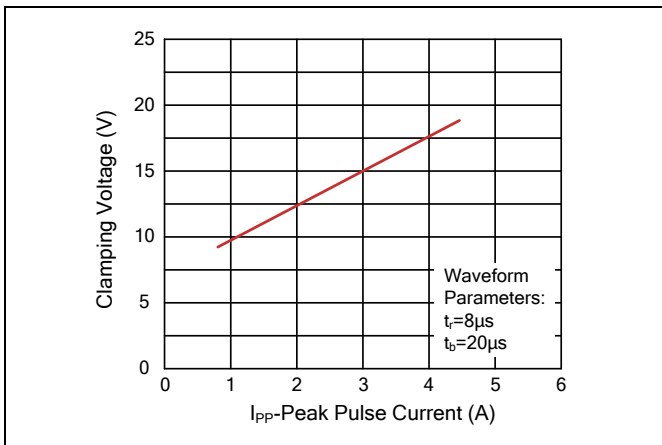
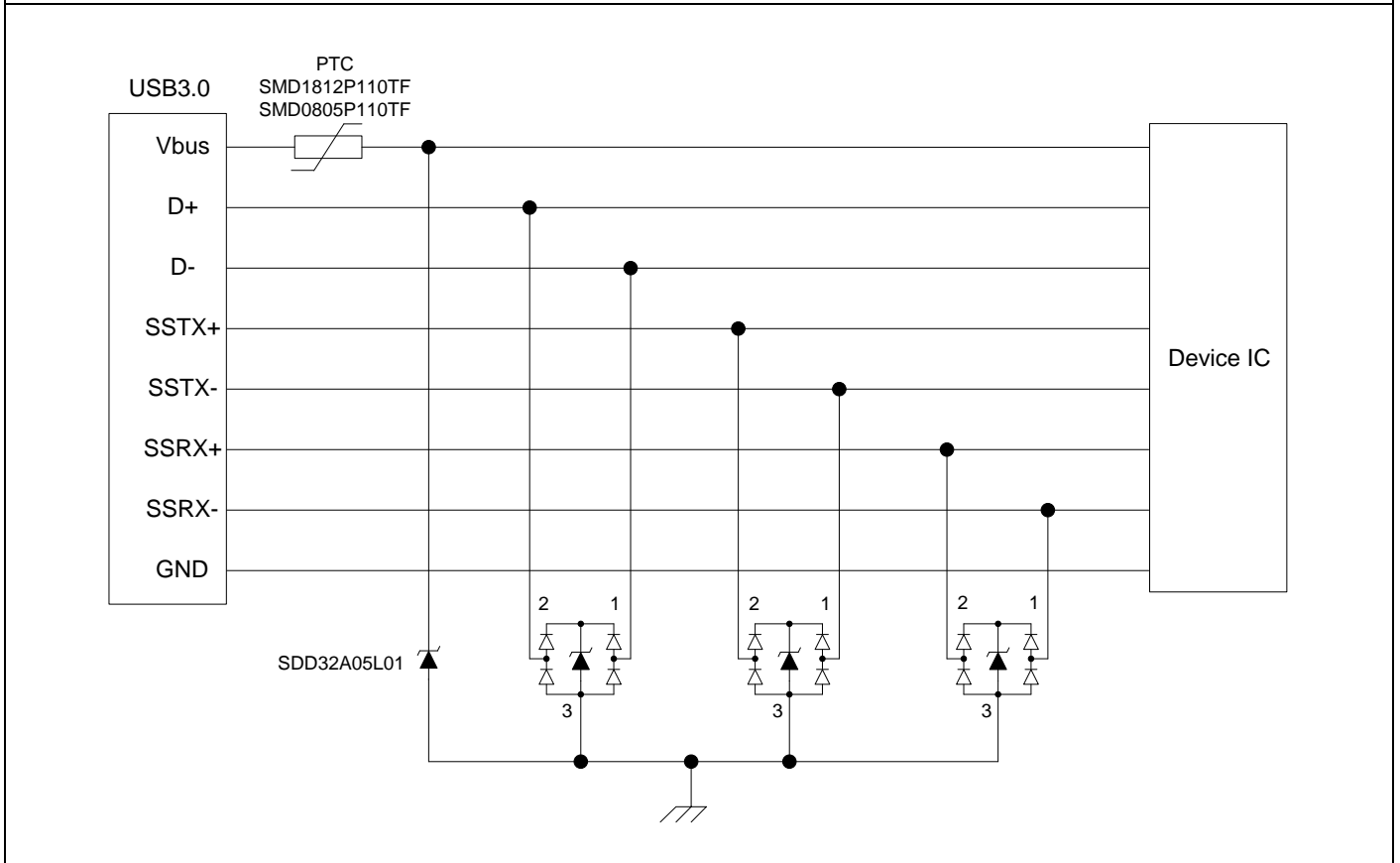
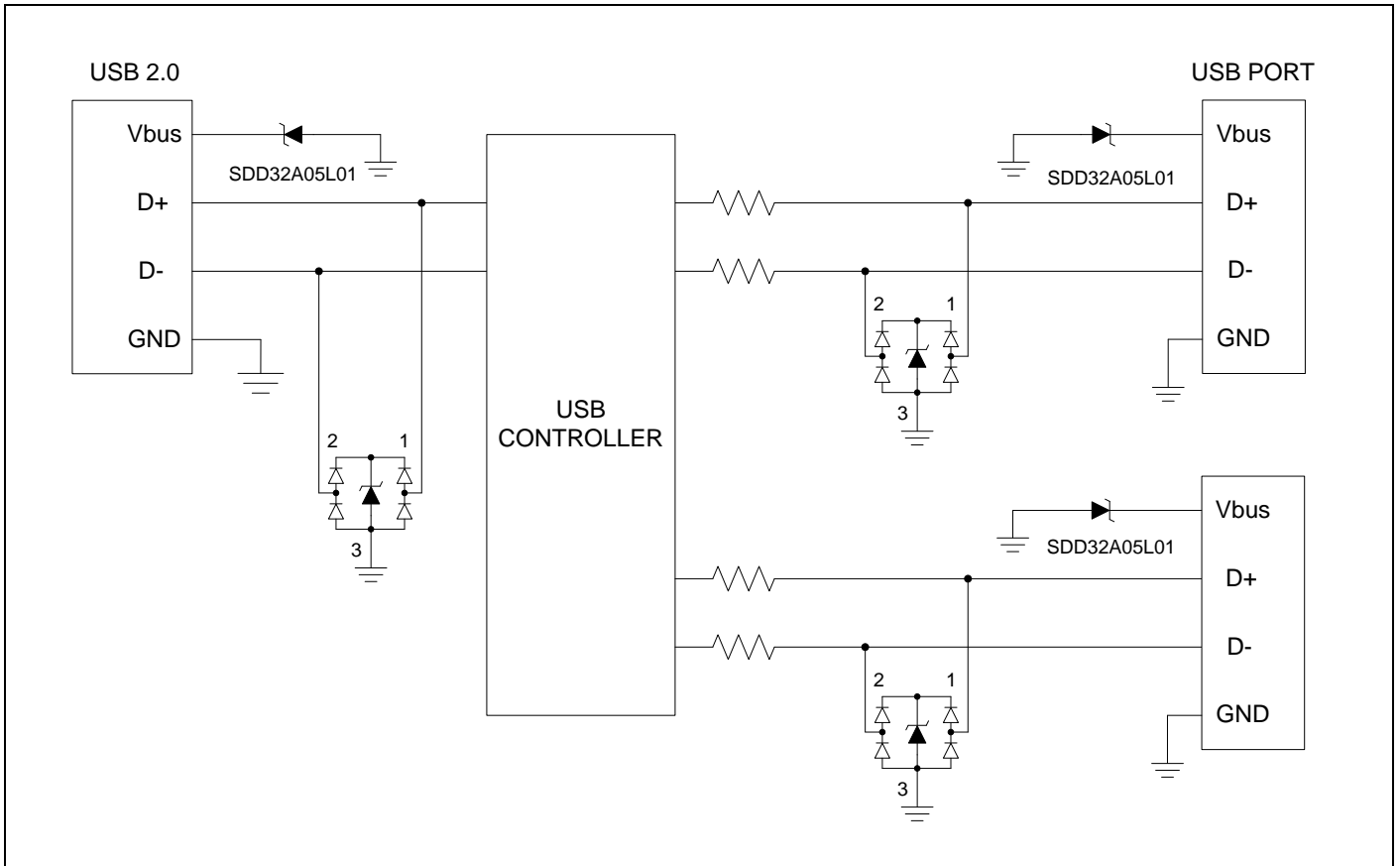


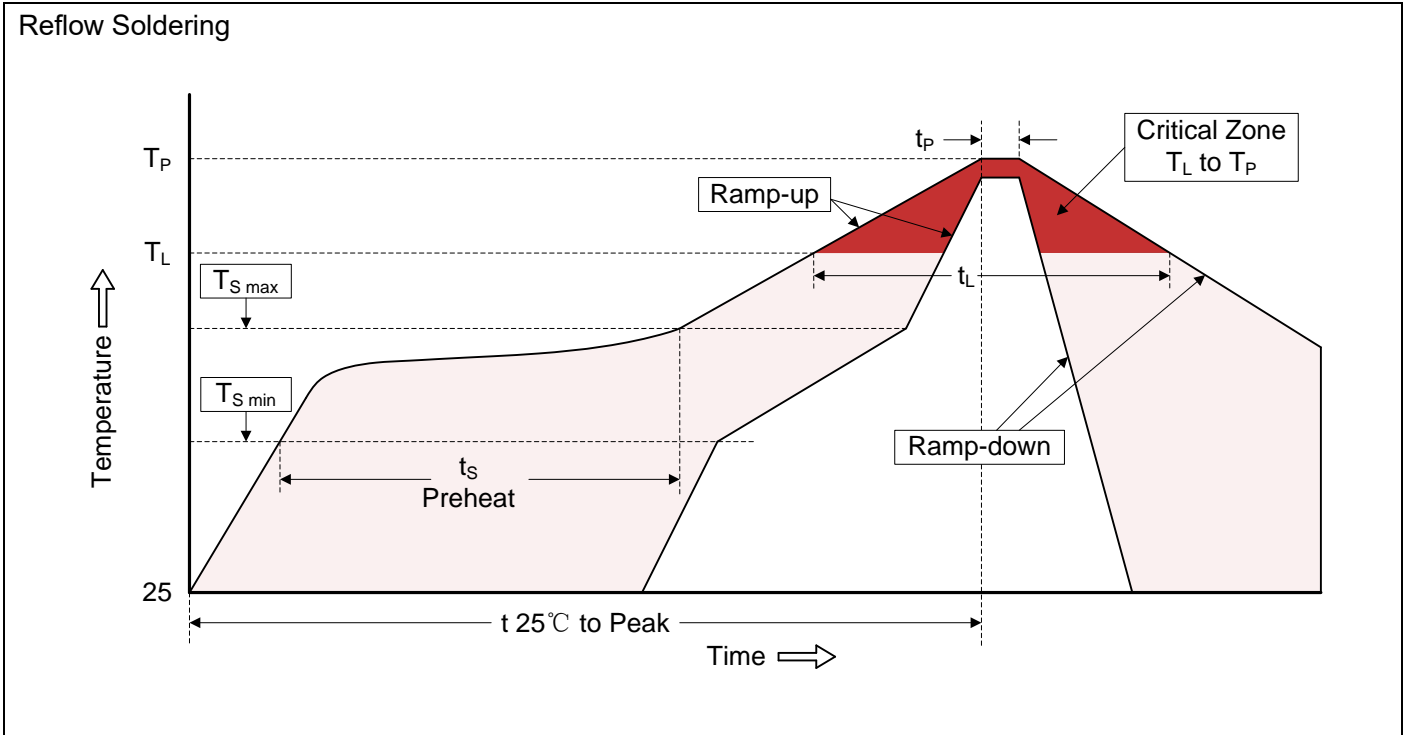
Figure 3. Clamping Voltage vs. Peak Pulse Current



Applications Information



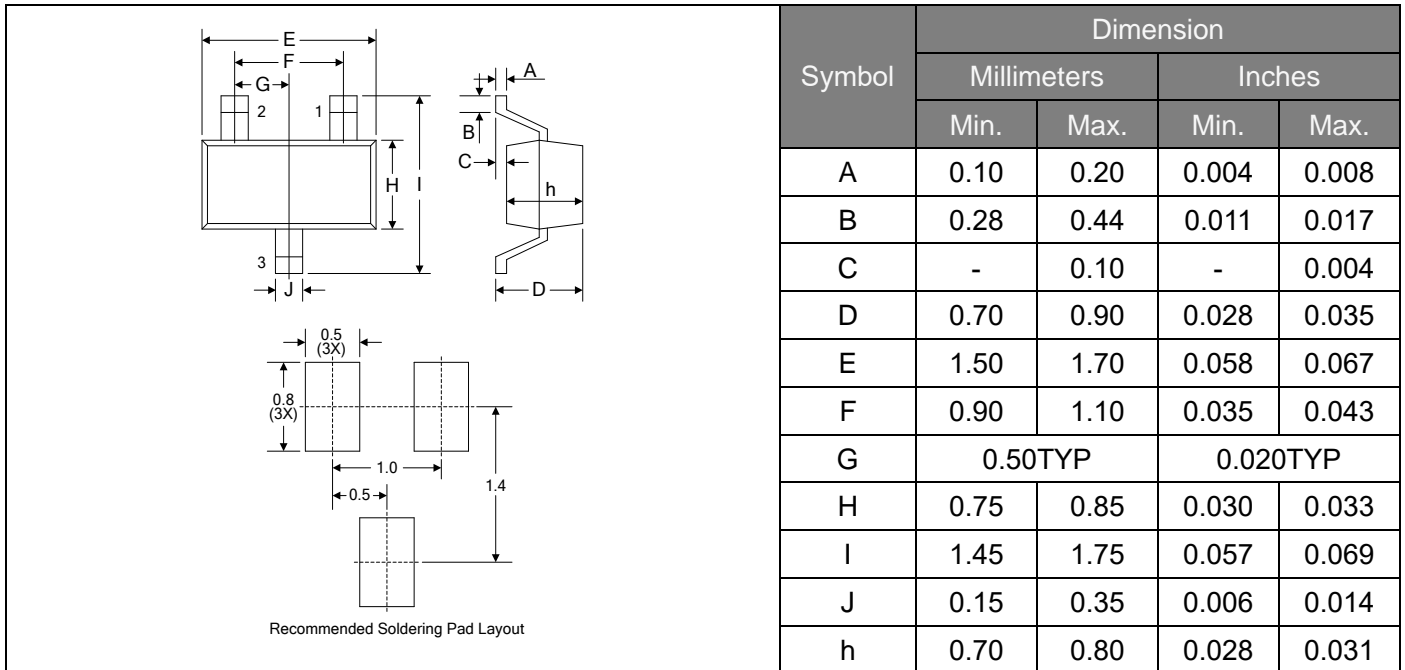
Recommended Soldering Conditions



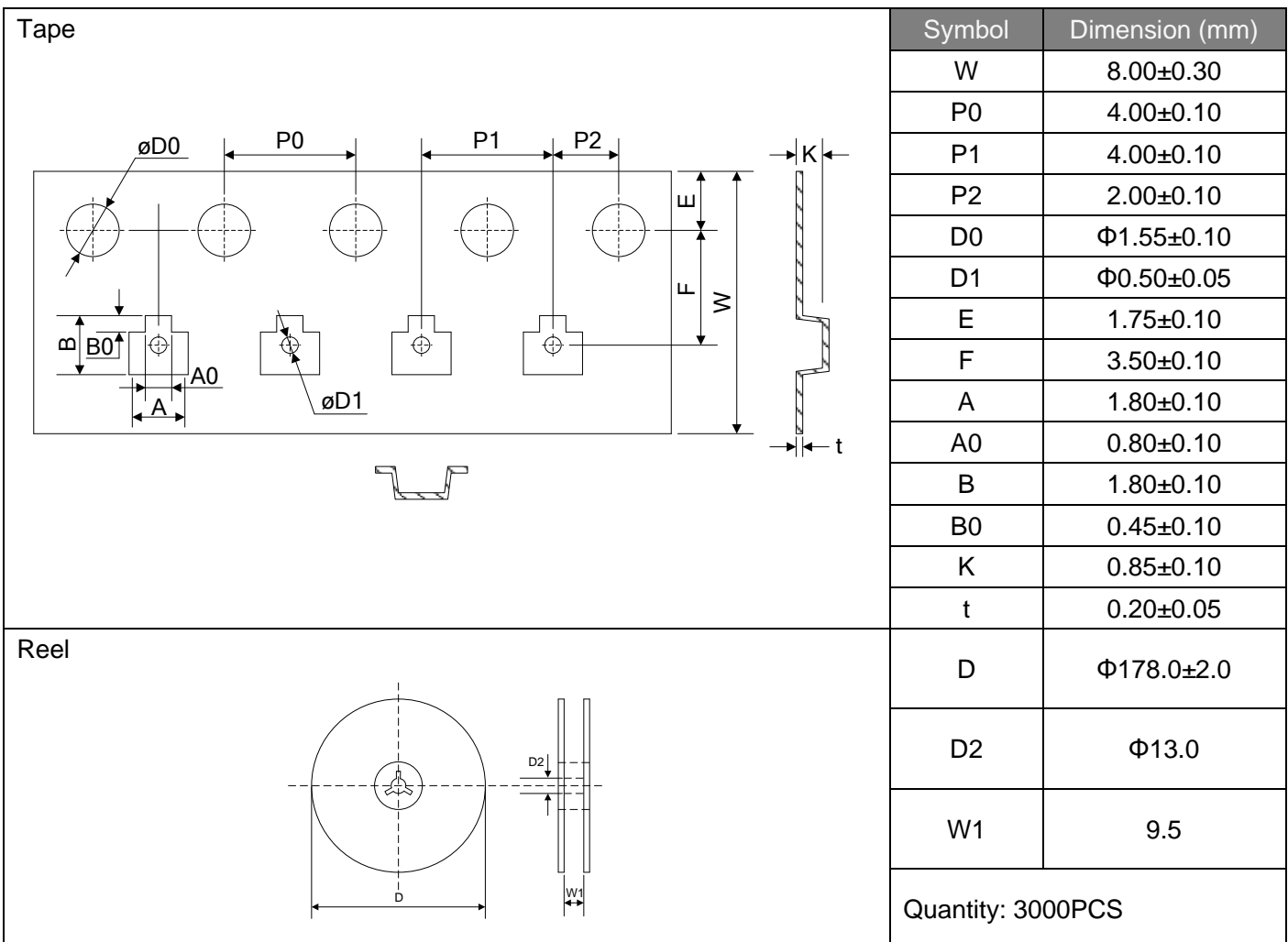
Recommended Conditions

| Profile Feature | Pb-Free Assembly |
|--|------------------|
| Average ramp-up rate (T_L to T_P) | 3°C/second max. |
| Preheat | 150°C |
| -Temperature Min ($T_{S\ min}$) | 200°C |
| -Temperature Max ($T_{S\ max}$) | 60-180 seconds |
| -Time (min to max) (t_s) | |
| $T_{S\ max}$ to T_L | 3°C/second max. |
| -Ramp-up Rate | |
| Time maintained above: | 217°C |
| -Temperature (T_L) | 60-150 seconds |
| -Time (t_L) | |
| Peak Temperature (T_P) | 260°C |
| Time within 5°C of actual Peak Temperature (t_p) | 20-40 seconds |
| Ramp-down Rate | 6°C/second max. |
| Time 25°C to Peak Temperature | 8 minutes max. |

Dimensions (SOT-523)



Packaging



LEGAL DISCLAIMER

YAGEO, its distributors and agents (collectively, “YAGEO”), hereby disclaims any and all liabilities for any errors, inaccuracies or incompleteness contained in any product related information, including but not limited to product specifications, datasheets, pictures and/or graphics. YAGEO may make changes, modifications and/or improvements to product related information at any time and without notice.



YAGEO makes no representation, warranty, and/or guarantee about the fitness of its products for any particular purpose or the continuing production of any of its products. To the maximum extent permitted by law, YAGEO disclaims (i) any and all liability arising out of the application or use of any YAGEO product, (ii) any and all liability, including without limitation special, consequential or incidental damages, and (iii) any and all implied warranties, including warranties of fitness for a particular purpose, non-infringement and merchantability.

YAGEO products are designed for general purpose applications under normal operation and usage conditions. Please contact YAGEO for the applications listed below which require especially high reliability for the prevention of defects which might directly cause damage to the third party's life, body or property: Aerospace equipment (artificial satellite, rocket, etc.), Atomic energy-related equipment, Aviation equipment, Disaster prevention equipment, crime prevention equipment, Electric heating apparatus, burning equipment, Highly public information network equipment, data-processing equipment, Medical devices, Military equipment, Power generation control equipment, Safety equipment, Traffic signal equipment, Transportation equipment and Undersea equipment, or for any other application or use in which the failure of YAGEO products could result in personal injury or death, or serious property damage. Particularly **YAGEO Corporation and its affiliates do not recommend the use of commercial or automotive grade products for high reliability applications or manned space flight.**

Information provided here is intended to indicate product specifications only. YAGEO reserves all the rights for revising this content without further notification, as long as products are unchanged. Any product change will be announced by PCN.

Looking for pricing, stock, or lifecycle information?

Click below to explore more details on WIN SOURCE:

-  [View UAT52A05L02 on WIN SOURCE](#)
-  [Yageo Information](#)

Optimize Your Supply Chain with WIN SOURCE Solutions

-  Global Sourcing Solution
-  Obsolete Management
-  Cost Control Management
-  Shortage Management
-  Alternative Solution
-  Excess Inventory Management