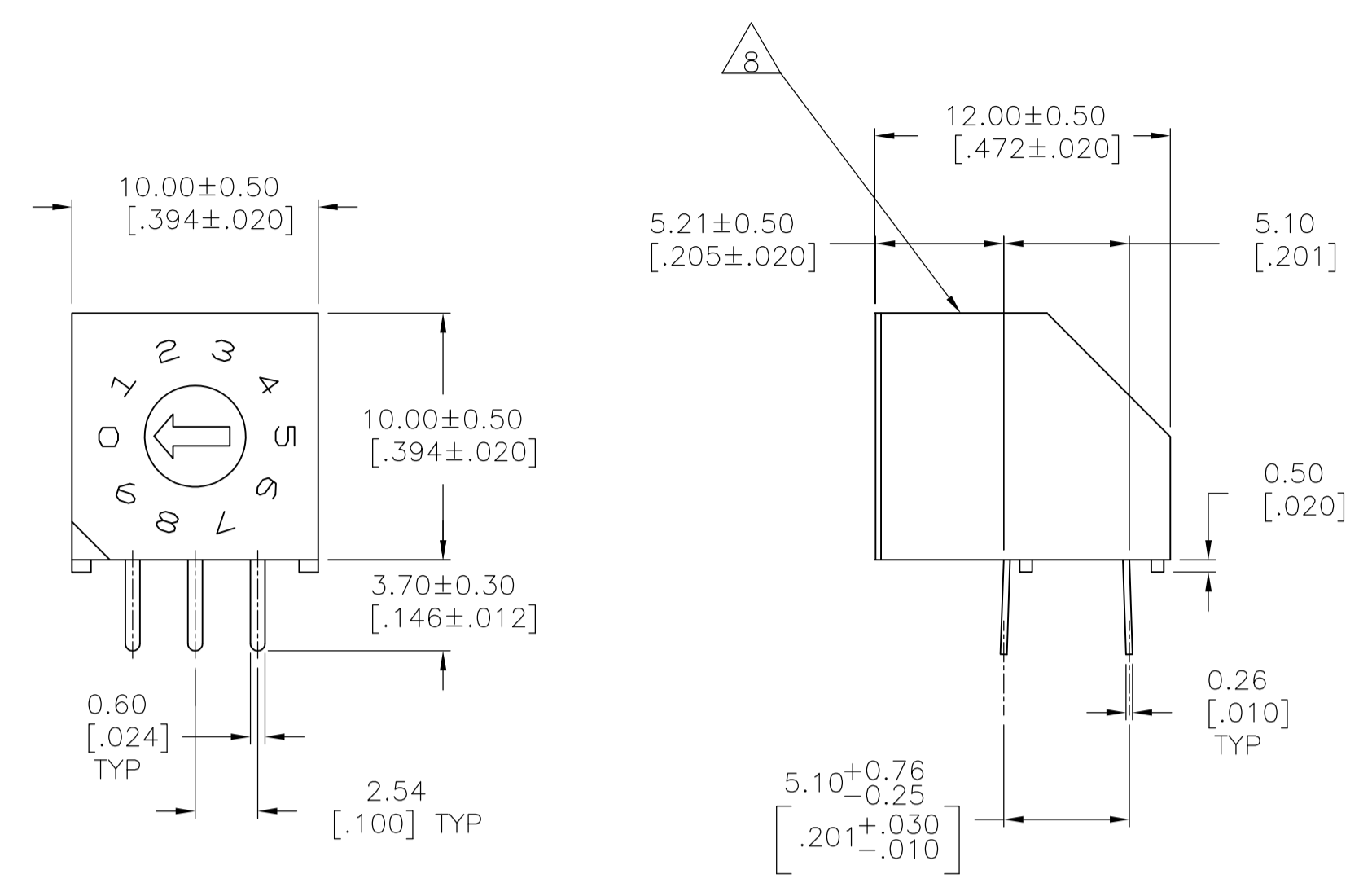




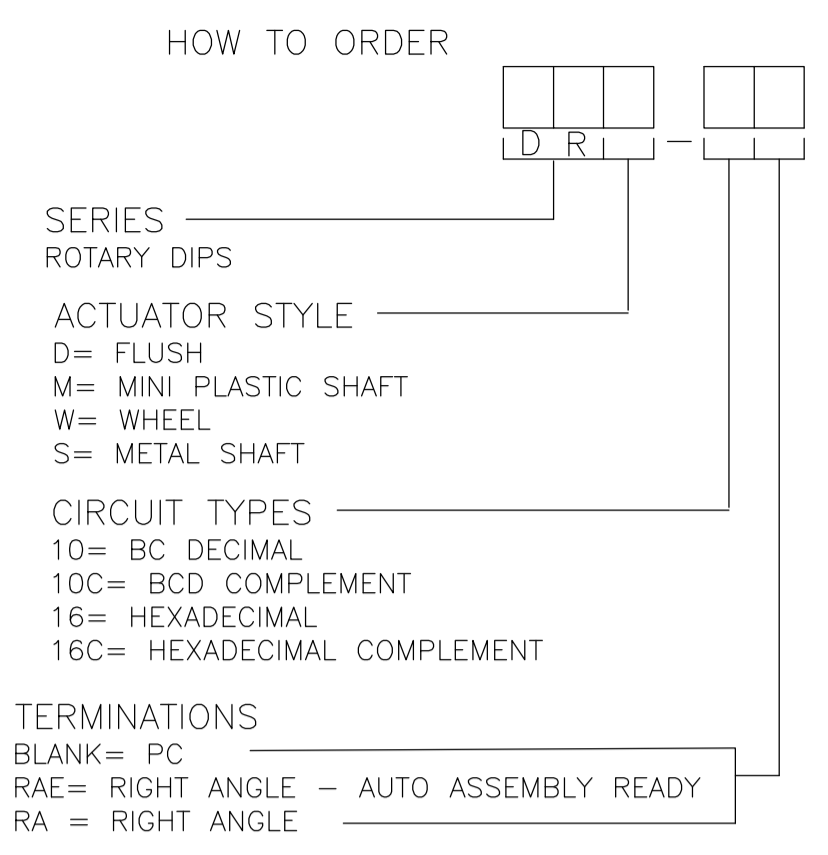
**THE DATASHEET OF
DRD16RAE04**



REVISIONS					
P	LTR	DESCRIPTION	DATE	DMN	APVD
A5	REVISED PER ECO-17-001765		05MAY2017	SK	AS



DRD RIGHT ANGLE
PC MOUNT



SPECIFICATIONS:

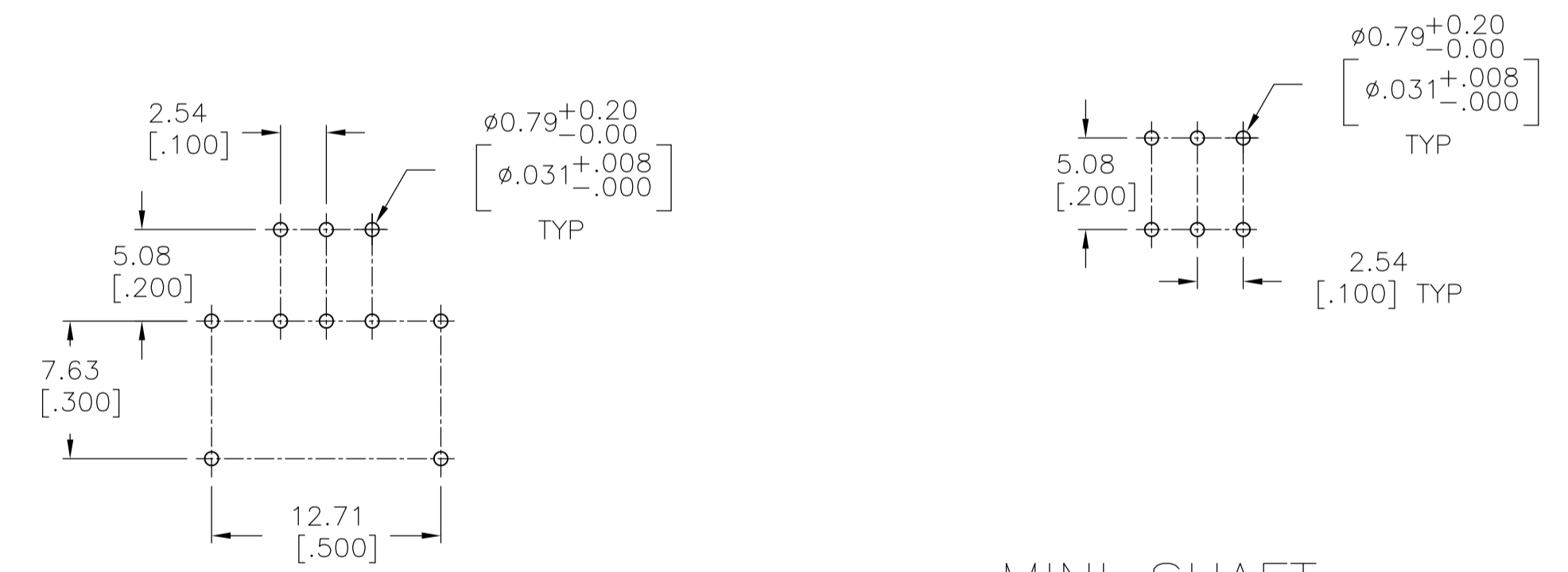
MATERIAL:
FRAME & CASE- PPS UL94V-0, BLACK
ROTOR, PA6T UL94V-0, COLOR SEE P/N TABLE
FIXED CONTACT/TERMINAL- COPPER ALLOY, GOLD FLASH OVER NICKEL PLATE
MOVING CONTACT- COPPER ALLOY, GOLD FLASH OVER NICKEL PLATE
BALL SUPPORT PLATE- COPPER ALLOY
BALL- STAINLESS STEEL
DETENT SPRING- STAINLESS STEEL
BUSHING (DRS)- ZINC DIE CAST
SHAFT (DRS)- COPPER ALLOY- NICKEL PLATE

ELECTRICAL:
CONTACT RATING- 0.4VA@ 20V DC OR PEAK AC
INITIAL CONTACT RESISTANCE- 50 MILLIOHMS MAX
INSULATION RESISTANCE- 1,000 MEGOHMS@100V DC
DIELECTRIC STRENGTH- 300V AC
LIFE EXPECTANCY- 10,000 ROTATIONS

MECHANICAL:
OPERATING FORCE- 13.88 OZF.IN. MAX

ENVIRONMENTAL:
OPERATING TEMPERATURE- -30°C TO +85°C
STORAGE TEMPERATURE- -45°C TO +100°C
RESISTANCE TO SOLDER HEAT-PER 109-202, COND B (THRU-HOLE)
SOLDERABILITY-PER JIS C 0050 & JIS C 0053

- NOTES:**
- ALL MATERIALS AND FINISHES SHALL COMPLY WITH EU DIRECTIVE 2002/95/EC OF 27JAN2003 (ROHS)
 - COMMON TERMINALS ARE CONNECTED INTERNALLY, EXCEPT ON HYBRID VERSIONS.
 - RED ROTOR WITH WHITE PRINTING ON TOP AND SIDE OF SWITCH. "S" STYLES HAVE NOT PRINTING ON TOP.
 - BLACK ROTOR WITH WHITE PRINTING ON TOP AND SIDE OF SWITCH. "S" STYLES HAVE NO PRINTING ON TOP.
 - ORANGE ROTOR WITH WHITE PRINTING ON TOP AND SIDE OF SWITCH "S" STYLES HAVE NO PRINTING ON TOP.
 - WHITE ROTOR WITH WHITE PRINTING ON TOP AND SIDE OF SWITCH "S" STYLE HAVE NO PRINTING ON TOP.
- △ LOCATE 'ALCO' TRADE NAME AND LOT NUMBER MARKING. LOT NUMBER TO BE MARKED AS FOLLOW:
- 4 1ST DIGIT
F 2ND DIGIT
YEAR 1194 MONTH 6
- MARK WITH PERMANENT WHITE INK.



"S" STYLE

MINI SHAFT
FLUSH
WHEEL

PRINTED CIRCUIT BOARD LAYOUTS

	BLACK	DRW16RAE04	1-1825008-6
	WHITE	DRW16CRAE04	1-1825008-5
	RED	DRW10RAE04	1-1825008-4
OBSOLETE	ORANGE	DRW10CRAE04	1-1825008-3
	N/A	DRS16RA04	1-1825008-2
	N/A	DRS16CRA04	1-1825008-1
	N/A	DRS10RA04	1-1825008-0
OBSOLETE	N/A	DRS10CRAE04	1825008-9
	BLACK	DRM16RAE04	1825008-8
OBSOLETE	WHITE	DRM16CRAE04	1825008-7
	RED	DRM10RAE04	1825008-6
OBSOLETE	ORANGE	DRM10CRAE04	1825008-5
	BLACK	DRD16RAE04	1825008-4
	WHITE	DRD16CRAE04	1825008-3
	RED	DRD10RAE04	1825008-2
OBSOLETE	ORANGE	DRD10CRAE04	1825008-1
	ROTOR COLOR	T&B P/N	PART NO.

THIS DRAWING IS A CONTROLLED DOCUMENT. DIN 17MAY2005

DR: B.S.VISWESWARA
CHK: M.S.SARVER
APVD: -

DIMENSIONS: mm [INCHES]

TOLERANCES UNLESS OTHERWISE SPECIFIED:
0. PLC ± -
1. PLC ± -
2. PLC ± 0.25
3. PLC ± -
4. PLC ± -
ANGLES ± 1°

MATERIAL: - FINISH: -

WEIGHT: 0

CUSTOMER DRAWING

NAME: DR***RA SERIES ROTARY DIP SWITCH

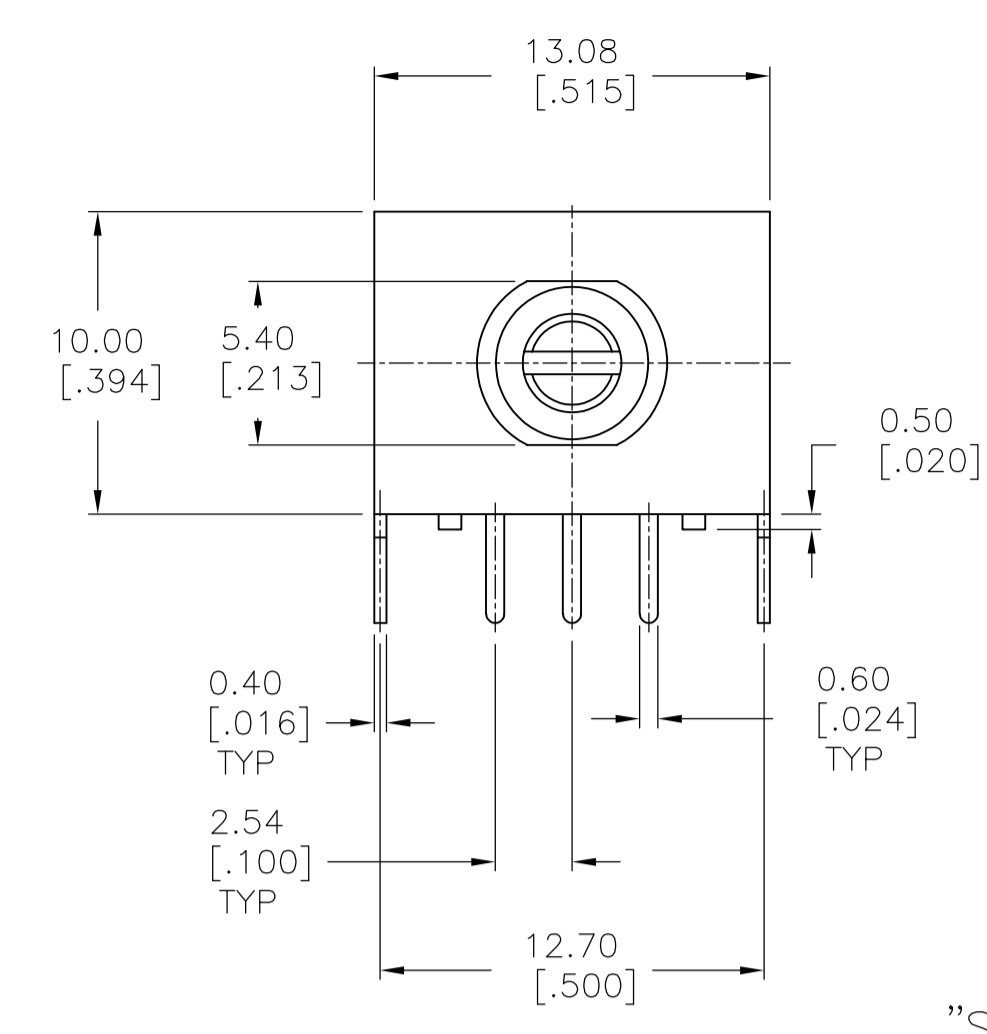
SIZE: A1
CAGE CODE: 00779
DRAWING NO: 1825008

RESTRICTED TO: -

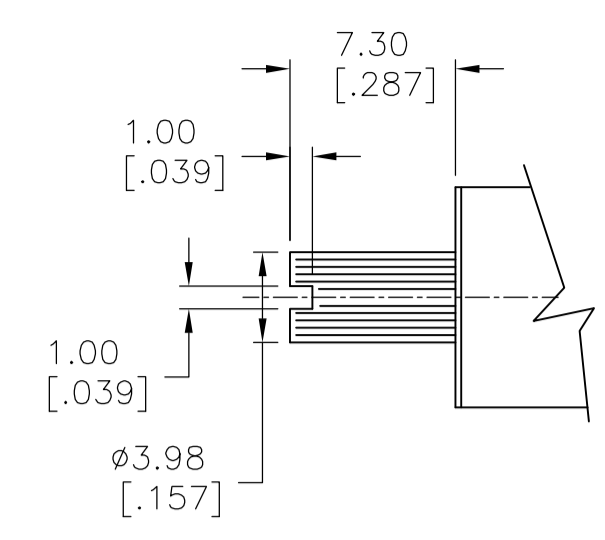
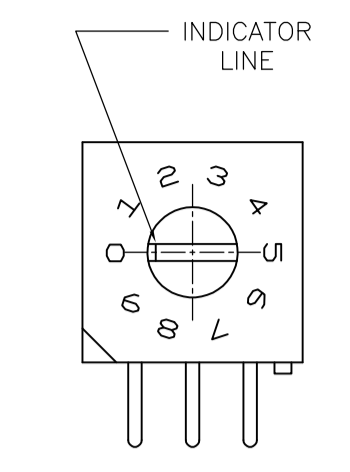
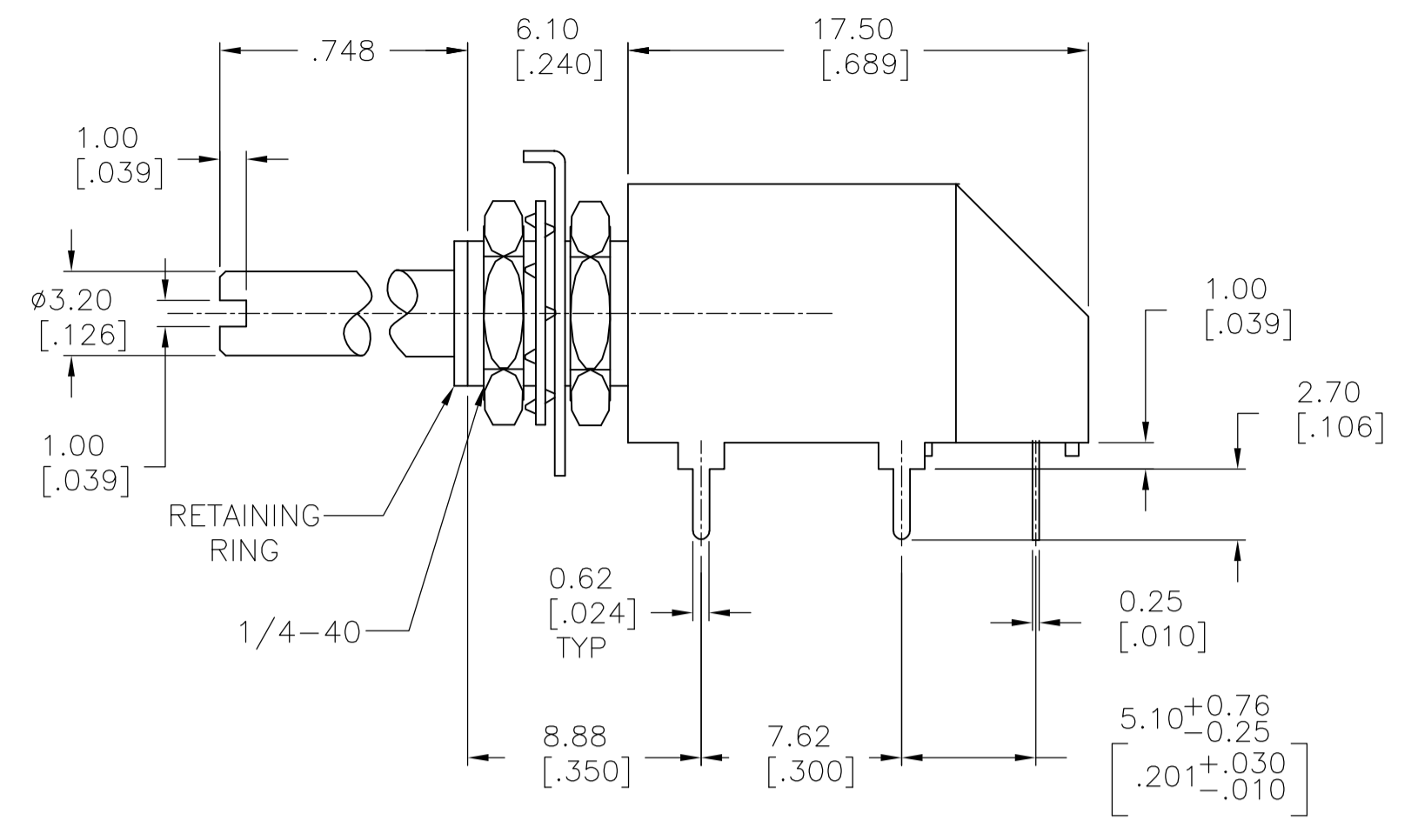
SCALE: 4:1 SHEET: 1 OF 2 REV: A5

STE TE Connectivity

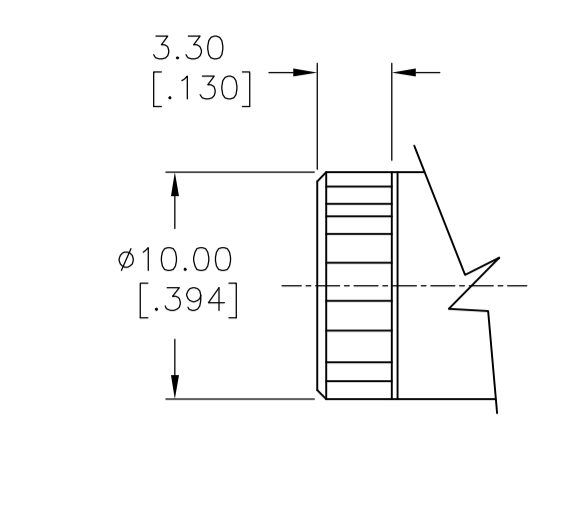
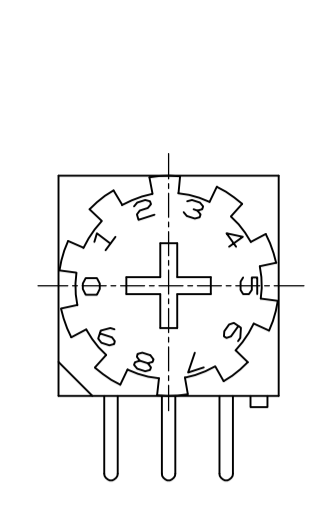
REVISIONS				
P	LYR	DESCRIPTION	DATE	APPV
-	-	SEE SHEET 1	-	-



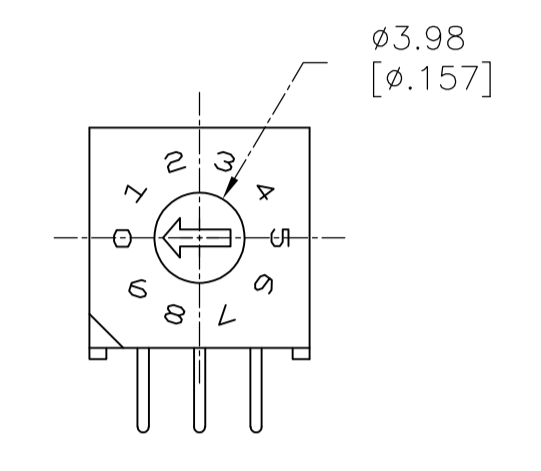
"S" STYLE



MINI SHAFT
'M' STYLE

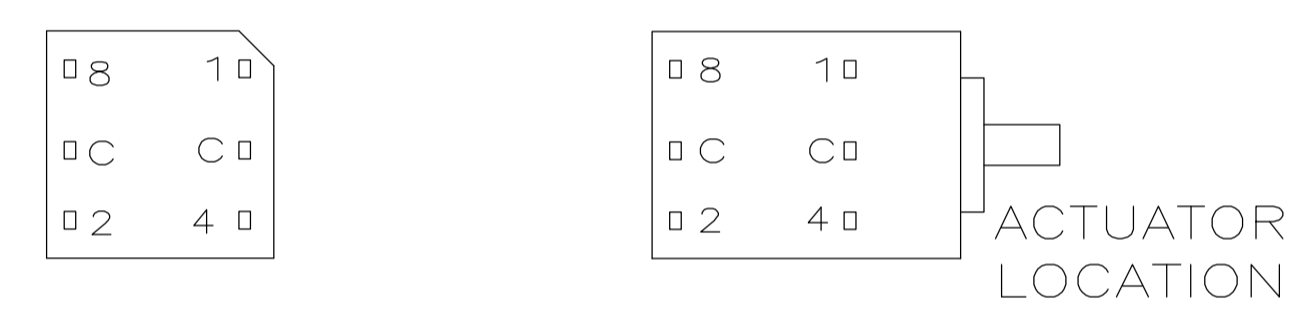


WHEEL
'W' STYLE



'D' STYLE

TERMINAL IDENTIFICATION FOR DR SERIES ONLY
(VIEWED FROM BOTTOM OF SWITCH)



ACTUATORS
SCALE:3:1

10-POSITION, BCD SEE NOTE 3

POS	0	1	2	3	4	5	6	7	8	9
C	X	X	X	X	X	X	X	X	X	X
1		X		X		X		X		X
2			X	X			X	X		
4					X	X	X	X		
8									X	X

16-POSITION, HEXADECIMAL SEE NOTE 4

POS	0	1	2	3	4	5	6	7	8	9	A	B	C	D	E	F
C	X	X	X	X	X	X	X	X	X	X	X	X	X	X	X	X
1		X		X		X		X		X		X		X		X
2			X	X			X	X			X	X			X	X
4					X	X	X	X					X	X	X	X
8									X	X	X	X	X	X	X	X

10 POSITION, BCD COMPLEMENT SEE NOTE 5

POS	0	1	2	3	4	5	6	7	8	9
C̄	X	X	X	X	X	X	X	X	X	X
1̄	X		X		X		X		X	
2̄	X	X			X	X			X	X
4̄	X	X	X	X					X	X
8̄	X	X	X	X	X	X	X	X		

16-POSITION, HEXADECIMAL COMPLEMENT SEE NOTE 6

POS	0	1	2	3	4	5	6	7	8	9	A	B	C	D	E	F
C̄	X	X	X	X	X	X	X	X	X	X	X	X	X	X	X	X
1̄	X		X		X		X		X		X		X		X	
2̄	X	X			X	X			X	X			X	X		
4̄	X	X	X	X					X	X	X	X				
8̄	X	X	X	X	X	X	X	X								

THIS DRAWING IS A CONTROLLED DOCUMENT.

DIMENSIONS: mm [INCHES]	TOLERANCES UNLESS OTHERWISE SPECIFIED:	DIN 17MAY2005	DR**RA SERIES ROTARY DIP SWITCH
0 PLC ± -	1 PLC ± -	2 PLC ± 0.25	3 PLC ± -
4 PLC ± -	ANGLES ± 1°	APVD	RESTRICTED TO
MATERIAL	FINISH	WEIGHT	CUSTOMER DRAWING
SCALE 4:1		SHEET 2 OF 2	REV A5

STE TE Connectivity

Looking for pricing, stock, or lifecycle information?

Click below to explore more details on WIN SOURCE:

 [View DRD16RAE04](#) on WIN SOURCE

 [TE Connectivity](#) Information

Optimize Your Supply Chain with WIN SOURCE Solutions

-  Global Sourcing Solution
-  Obsolete Management
-  Cost Control Management
-  Shortage Management
-  Alternative Solution
-  Excess Inventory Management