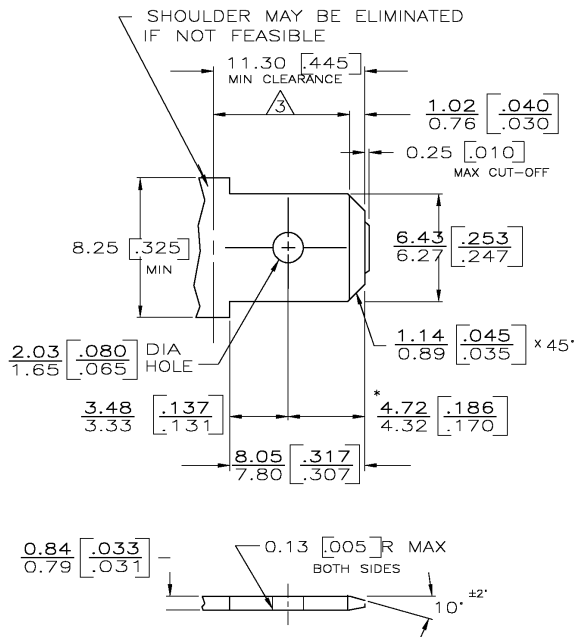
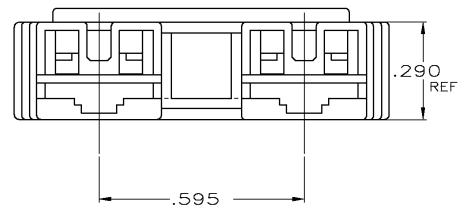
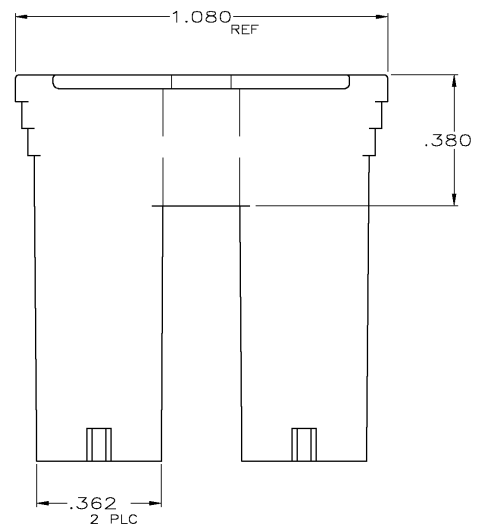
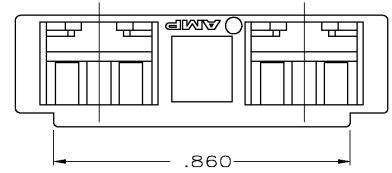


LOC	DISP	REVISIONS				
AF	50	P	LR	DATE	DWN	APVD
		M		REV PER 0G3A-0753-03	08DEC03	JR KY

SUGGESTED MATING TAB

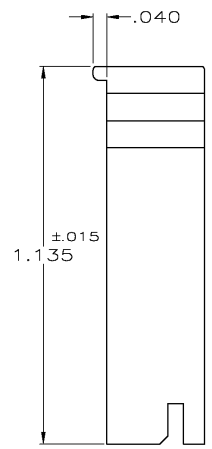


- 1 - MATL: 1/2H BRASS OR NICKEL PL STEEL.
 - 2 - NO BURRS PERMISSIBLE AT HOLE.
 - 3 - MUST BE FLAT WITHIN 0.076 [0.003] OVER THIS LENGTH.
 - 4 - TIN PLATING IS REQUIRED ON BRASS WHEN TERMINAL TEMP. IS OVER 225° F.
 - 5 - HOLE MUST BE SYMMETRICAL ABOUT TAB ϕ WITHIN 0.076 [0.003]
- * TO BE USED ONLY WHEN SHOULDER IS ELIMINATED.



1 FOR USE WITH MKII POSITIVE LOCK, LOW INSERTION FORCE FASTON RECEPTACLES AND MOST BUDGET FASTON RECEPTACLES.

2 PRELIMINARY - NOT FOR PRODUCTION



VO BLACK	1-520935-8
VO YELLOW	1-520935-6
VO BLUE	1-520935-5
VO RED	1-520935-2
VO NATURAL	1-520935-1
BLACK	520935-8
BROWN	520935-7
YELLOW	520935-6
BLUE	520935-5
GREEN	520935-4
WEATHER RESIST BLACK	520935-3
RED	520935-2
NATURAL	520935-1
COLOR	PART NO

THIS DRAWING IS A CONTROLLED DOCUMENT.		DWN	JR RUTH	4/14/88	 Tyco Electronics Corporation Harrisburg, PA 17105
DIMENSIONS: INCHES		GWR	M FEHER	4/14/88	
TOLERANCES UNLESS OTHERWISE SPECIFIED:		APVD	R KUZO	4/14/88	HOUSING, RECPT, POSITIVE-LOCK & STANDARD FASTON, .250 SERIES, MKII
0 PLC ± - 1 PLC ± - 2 PLC ± - 3 PLC ± .010 4 PLC ± - ANGLES ± -		PRODUCT SPEC			
MATERIAL: 6/6 NYLON		APPLICATION SPEC			SIZE: A2
FINISH: SEE TABLE		WEIGHT: -			AGE CODE: 00779
		CUSTOMER DRAWING			SCALE: 4:1
					SHEET: 1 OF 1
					REV: M

520935

Looking for pricing, stock, or lifecycle information?

Click below to explore more details on WIN SOURCE:

 [View 520935-1 on WIN SOURCE](#)

 [TE Connectivity](#) Information

Optimize Your Supply Chain with WIN SOURCE Solutions

-  Global Sourcing Solution
-  Obsolete Management
-  Cost Control Management
-  Shortage Management
-  Alternative Solution
-  Excess Inventory Management