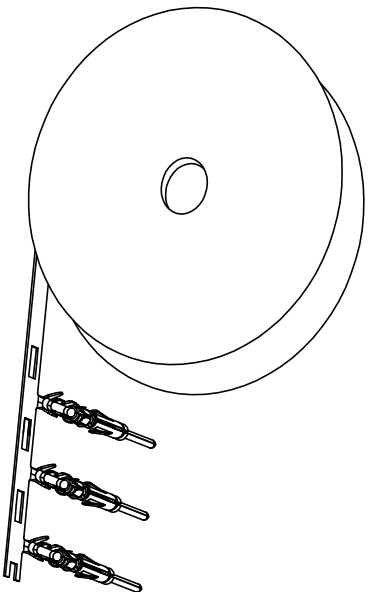




THE DATASHEET OF SP20W1F



REVISIONS				
REV	ECO	DESCRIPTION	DATE	BY APPR
B1	-	RELEASED DRAWING	JAN-18-2014	ARROW TOMMY
B2	-	CHANGE HAND CRIMPER	Nov-8-19	Flan Tommy

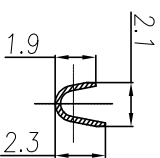


CONTACT ORIENTATION ON ROLL

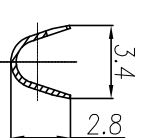
NOTES: (UNLESS OTHERWISE SPECIFIED)

- MATERIAL:
 - CONTACT BODY: COPPER ALLOY.
 - OUTER SPRING: STAINLESS STEEL.
- SPECIFICATIONS:
 - CURRENT RATING: 5A MAX.
 - TERMINATION TYPE: CRIMPING.
 - WIRE RANGE: 22-20AWG.
 - WIRE INSULATION DIA(MAX): Ø2.6mm.
- ROHS COMPLIANT.
- ALL DIMENSIONS ARE FOR REFERENCE USE ONLY.
- AVAILABLE TOOLS:
 - HAND CRIMPER: MFX-3958 (B2)
 - CRIMP APPLICATOR: MFX-3957.
 - EXTRACTION TOOL: QXRT20.

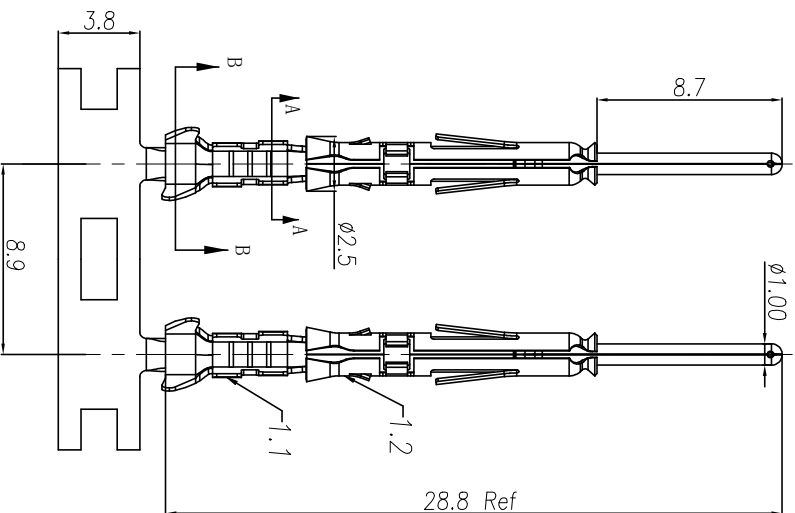
P/N	CONTACT PLATING(MATING AREA)
SP20W1T	TIN PLATING OVER NICKEL.
SP20W1F	GOLD FLASH PLATING OVER NICKEL.
SP20W1G10	10µ" GOLD PLATING OVER NICKEL.
SP20W1G15	15µ" GOLD PLATING OVER NICKEL.
SP20W1G30	30µ" GOLD PLATING OVER NICKEL.



SECTION A-A



SECTION B-B



QUANTITY	PART NUMBER	DESCRIPTION	ITEM
MATERIALS LIST			

UNLESS OTHERWISE SPECIFIED			
1) All dimensions are in millimeters.	DRAWN:	RAI	Nov-8-19
2) Tolerances are as follows:	CHECKED:	MWH	Nov-8-19
3) Fit: DEC 2018	ENGINEER:	Tommy	Nov-8-19
3) Note reference =	APPROVE:	Tommy	Nov-8-19
MATERIAL SPECIFICATIONS	CUSTOMER:	ECO-MATE PIN CONTACT	
PROCESS SPECIFICATIONS	SPECIFICATIONS AND PERFORMANCE DATA		
NEXT ASBY	THE MANUFACTURER ASSUMES NO LIABILITY FOR THE MANUFACTURING VARIATIONS		

SCALE: NONE	SIZE: B	TYPE: C-	DWG NO: SP20W1XX	REVISION: B2
SHEET: 1	OF: 1	Sine Systems - www.amphenol-sine.com 44724 Montley Drive Clinton Township, MI 48038		

Amphenol

ECO-MATE PIN CONTACT
STAMPED, 20-22AWG, SIZE 20

Looking for pricing, stock, or lifecycle information?

Click below to explore more details on WIN SOURCE:

- [View SP20W1F on WIN SOURCE](#)
- [Amphenol Sine Systems Corp Information](#)

Optimize Your Supply Chain with WIN SOURCE Solutions

- ✓ Global Sourcing Solution
- ✓ Obsolete Management
- ✓ Cost Control Management
- ✓ Shortage Management
- ✓ Alternative Solution
- ✓ Excess Inventory Management