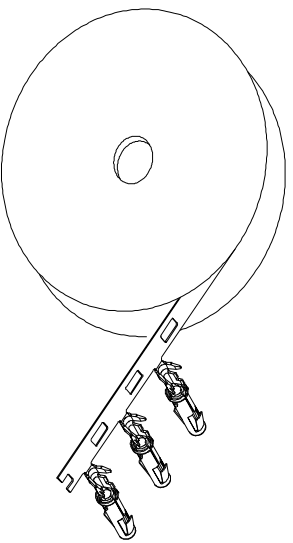




THE DATASHEET OF SS24M1F



REVISIONS				
REV	ECO	DESCRIPTION	DATE	BY APPR
B1	-	RELEASED DRAWING	JAN-18-2014	ARROW TOMMY

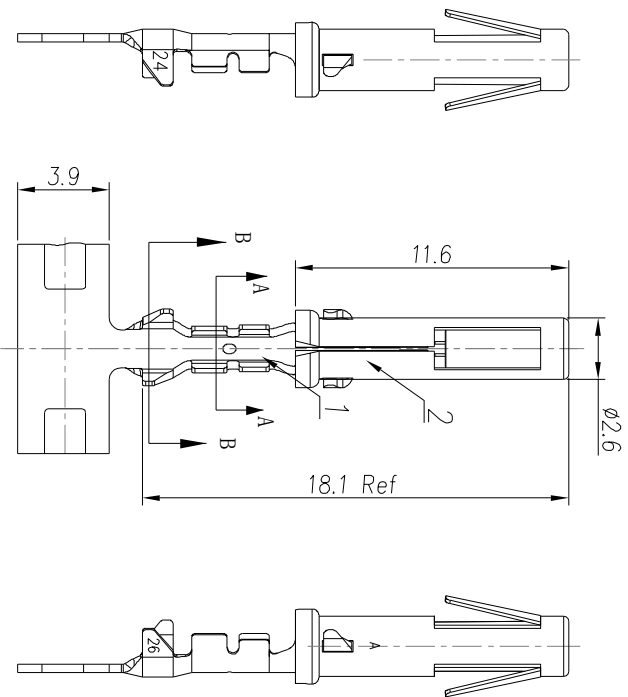
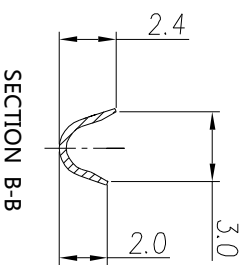
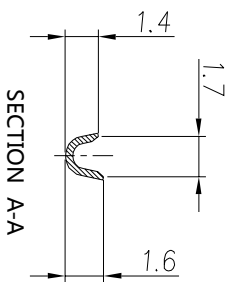


CONTACT ORIENTATION ON ROLL

NOTES : (UNLESS OTHERWISE SPECIFIED)

1. MATERIAL :
 - 1.1. CONTACT BODY : COPPER ALLOY.
 - 1.2. OUTER SPRING : STAINLESS STEEL.
2. SPECIFICATIONS :
 - 2.1 CURRENT RATING : 13A MAX.
 - 2.2 TERMINATION TYPE : CRIMPING.
 - 2.3 WIRE RANGE : 24~26AWG.
3. ROHS COMPLIANT.
4. ALL DIMENSIONS ARE FOR REFERENCE USE ONLY.
5. AVAILCABLE TOOLS :
 - 5.1 HAND CRIMPER : MFX-3954.
 - 5.2 CRIMP APPLICATOR : MFX-3957.
 - 5.3 EXTRACTION TOOL : QXRT16.

P/N	CONTACT PLATING(MATING AREA)
SS24MIT	TIN PLATING OVER NICKEL.
SS24M1F	GOLD FLASH PLATING OVER NICKEL.
SS24M1G10	10u" GOLD PLATING OVER NICKEL.
SS24M1G15	15u" GOLD PLATING OVER NICKEL.
SS24M1G30	30u" GOLD PLATING OVER NICKEL.



QUANTITY	PART NUMBER	DESCRIPTION	ITEM
		MATERIALS LIST	

UNLESS OTHERWISE SPECIFIED	SIGNATURES	DATE
1) ALL DIMENSIONS ARE IN INCHES.	DRAWN: ARROW	JAN-17-2014
2) TOLERANCES ARE AS FOLLOWS:	CHECKED:	
1 PL, DEC 20 2014	ENGINEER:	
3 PL, DEC 20 2014	APPROVAL:	
3) Note reference =	CUSTOMER:	

PROCESS SPECIFICATIONS:	THIS DRAWING IS SUPPLIED FOR SPECIFICATIONS AND PERFORMANCE DATA. THE DRAWING IS NOT TO BE USED FOR REPRODUCTION OR REPRODUCTION IN ANY MANNER. ALL MANUFACTURING VARIATION.	SIZE: B	TYPE: C-	DWG NO: SS24M1XX	REVISION: B1
NEXT ASST:		SCALE: NONE		SHEET: 1	OF: 1

Amphenol
 Shine Systems - www.amphenol-shine.com
 44724 Monkey Drive
 Clinton Township, MI 48038

ecolimate™ SOCKET CONTACT,
 STAMPED, 24-26AWG, SIZE 16

TITLES:

SECRET CONTACT, STAMPED, 24-26AWG, SIZE 16

DWG NO:

SS24M1XX

REV: B1

SH: 1

QF: 1

Looking for pricing, stock, or lifecycle information?

Click below to explore more details on WIN SOURCE:

- ⊖ [View SS24M1F on WIN SOURCE](#)
- ⊖ [Amphenol Sine Systems Corp Information](#)

Optimize Your Supply Chain with WIN SOURCE Solutions

- ✓ Global Sourcing Solution
- ✓ Obsolete Management
- ✓ Cost Control Management
- ✓ Shortage Management
- ✓ Alternative Solution
- ✓ Excess Inventory Management