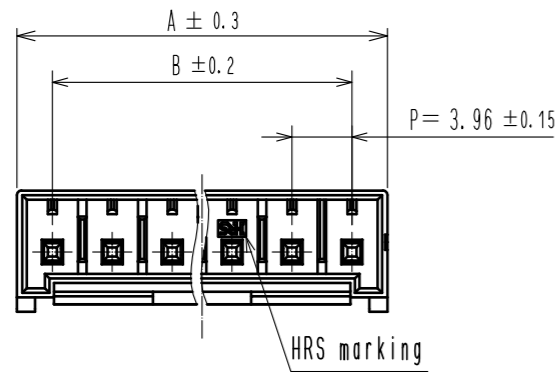




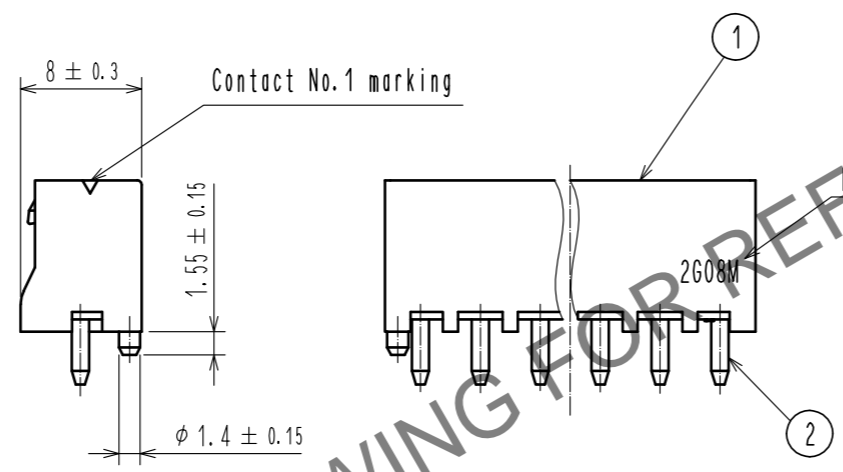
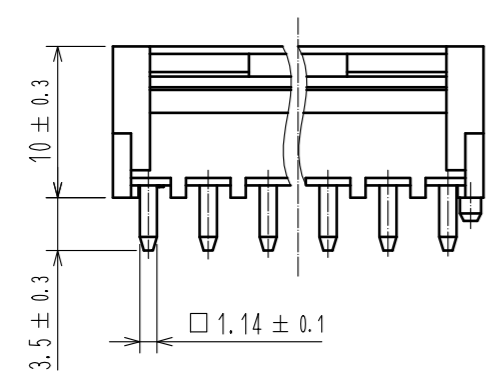
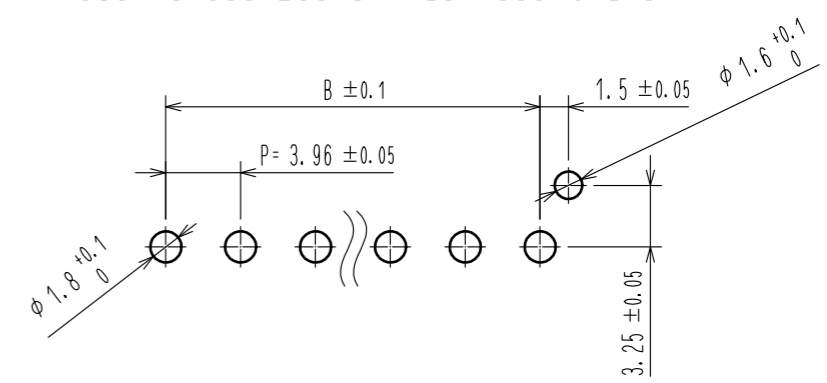
**THE DATASHEET OF  
DF63M-4P-3.96DSA**



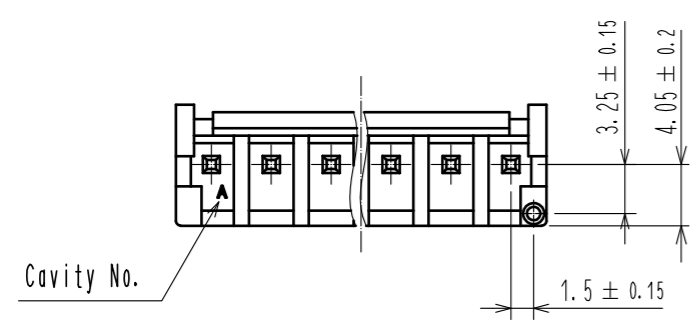
Jun.1.2024 Copyright 2024 HIROSE ELECTRIC CO., LTD. All Rights Reserved.  
In case of consideration for using Automotive equipment / device which demand high reliability, kindly contact our sales window correspondents.



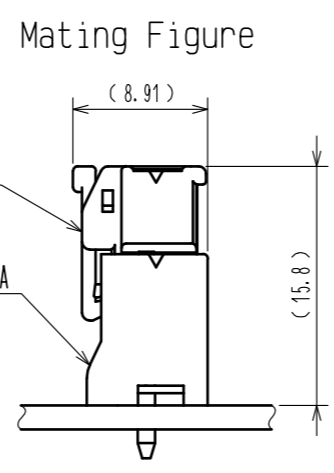
Recommended Pattern (free)  
(Recommended Board Thickness t=1.6mm)



Part Number	HRS No.	Number of Contact	A	B
DF63M-1P-3.96DSA	680-0566-0	1	6.2	—
DF63M-2P-3.96DSA	680-0567-0	2	8.66	3.96
DF63M-3P-3.96DSA	680-0568-0	3	12.62	7.92
DF63M-4P-3.96DSA	680-0569-0	4	16.58	11.88



HRS DRAWING FOR REFERENCE



NOTE. 1. Per Pack : 100 Pieces.  
2. The dimension in parenthesis are for reference.  
3. UL (File No. E52653)  
C-UL (File No. E52653)  
TUV (Certificate No. R50318850) authorization article.



1	PBT	UL94V-0(BLACK)	2	Brass	Tin plating 1 μm min
NO.	MATERIAL	FINISH . REMARKS	NO.	MATERIAL	FINISH . REMARKS
UNITS mm		SCALE 2 : 1	COUNT 1	DESCRIPTION OF REVISIONS DIS-H-00004240	DESIGNED TS. KUMAZAWA
APPROVED : HS. OKAWA		20170830		DESIGNED	DATE
CHECKED : TS. FUKUSHIMA		20170830		CHECKED	20180925
DESIGNED : HT. SATO		20170830		DATE	
DRAWN : MI. SAKIMURA		20170830		DATE	
DRAWING NO. EDC-378620-00-00			PART NO. DF63M-*P-3.96DSA		
CODE NO. CL680-			1/1		

## Looking for pricing, stock, or lifecycle information?

Click below to explore more details on WIN SOURCE:

- ⊖ [View DF63M-4P-3.96DSA on WIN SOURCE](#)
- ⊖ [Hirose Electric Co Ltd Information](#)

## Optimize Your Supply Chain with WIN SOURCE Solutions

- ✓ Global Sourcing Solution
- ✓ Obsolete Management
- ✓ Cost Control Management
- ✓ Shortage Management
- ✓ Alternative Solution
- ✓ Excess Inventory Management